

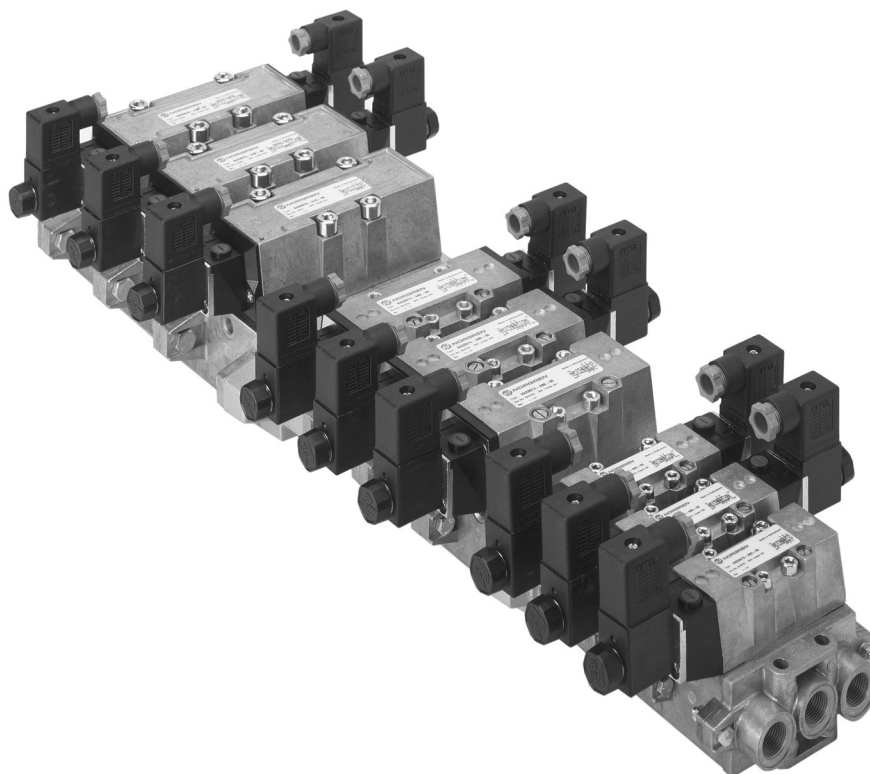
ISO Star Series Valves

A long life (100 to 200 million cycles) precision spool and sleeve directional control air valve

Contents	
Features and BenefitsVAL-5-2
Specifications and Technical Data	...VAL-5-3
AccessoriesVAL-5-8
Dimensional DataVAL-5-9
Product Numbering Information	...VAL-5-14

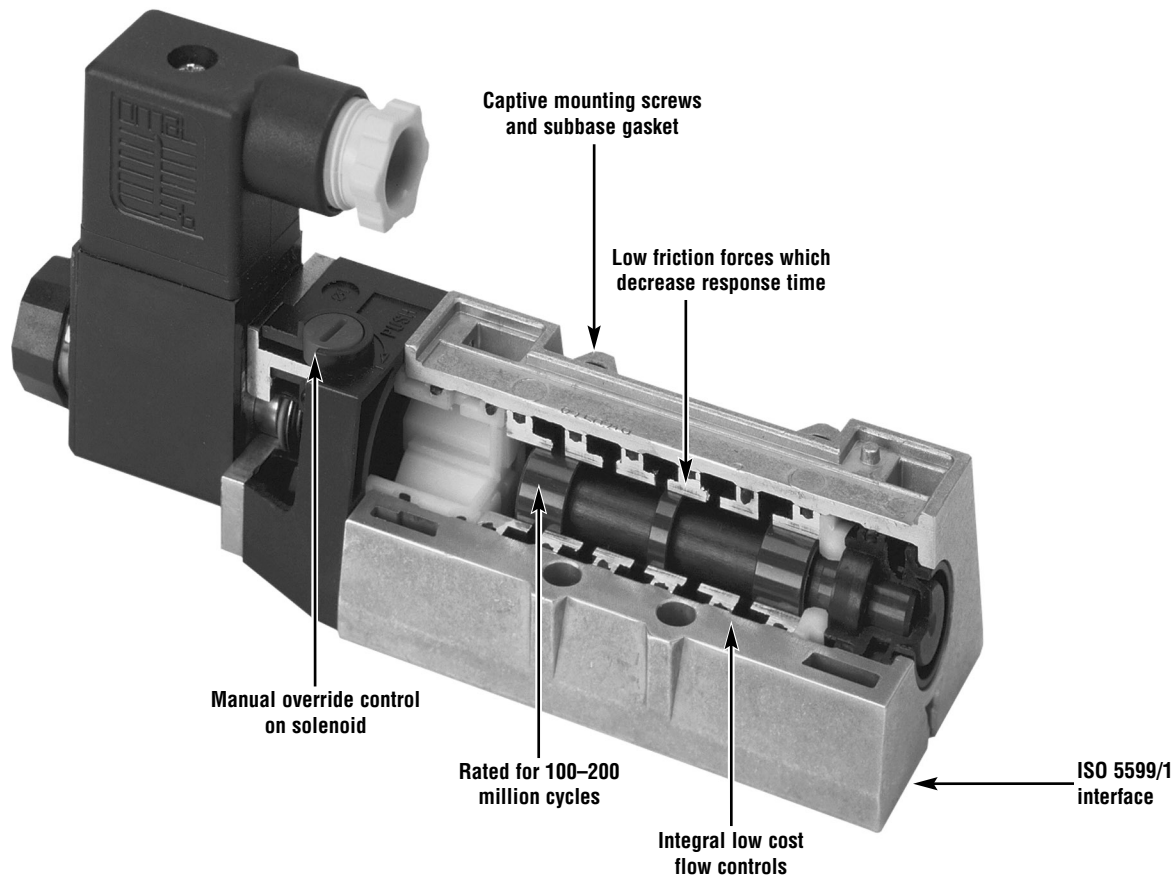
Norgren ISO Star Series Precision Spool and Sleeve Directional Control Valves

Available in sizes 1, 2, and 3, these compact, high flow valves feature fast, constant response times, and long, trouble-free life. Both 5/2 and 5/3 configurations in 1/4", 3/8", and 1/2" port subbases are available, along with accessories such as integral flow controls and sandwich regulators. These Swiss made valves are 100% corrosive resistant and are robust and reliable for use in harsh, industrial environments.





ISO*Star Series Valves



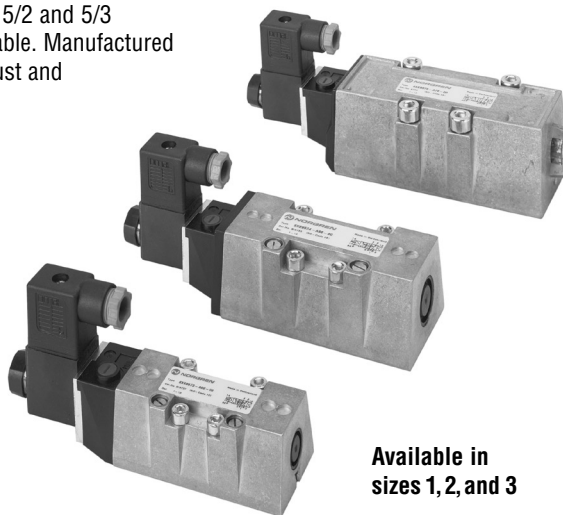
The “Fit and Forget” Solution

Norgren ISO*Star Series precision spool and sleeve directional control valves are available in sizes 1, 2, and 3. These compact high flow valves feature fast and constant response times and long, trouble-free life. Many accessories are available including integral flow controls and sandwich regulators. Both 5/2 and 5/3 configurations in 1/4", 3/8", and 1/2" port subbases are available. Manufactured in Switzerland, these valves are 100% corrosive resistant, robust and reliable for use in harsh, industrial environments.

Design Features Provide Long Life and High Reliability

Norgren ISO*Star Series valves feature a hard-anodized NITUFF® coated matched spool and sleeve assembly which is rated for 100-200 million cycles. The spool and sleeve is 100% non-corrosive, requires no minimum number of operations, and will not stick even after extended periods of standstill. This rugged, simple design provides problem-free operation in the harshest industrial environments.

Just fit and forget!



Available in sizes 1, 2, and 3



ISO*Star Precision Spool



- Hard-anodized aluminum spool and sleeve with NITUFF® coating
- Suitable for lube, non-lube or dry air applications
- Lightweight aluminum construction
- Precision matched spool and sleeve
- No minimum number of operations required
- Rated for 100-200 million cycles

ISO*Star accessories include single and dual sandwich regulators, sandwich flow controls, check valve sandwich plates, port #1 auxiliary pressure plates, transition plates, blanking plates and isolating plugs.



Technical Data

Specifications

Fluids:	40µm filtered, lubricated or nonlubricated, compressed air or vacuum service
Main Valve Inlet Pressure Range:	26" Hg vacuum to 150 psig (10 bar)
Minimum Pilot Pressures:	
Single Operator:	14.5 psig (1 bar)
Double Operators:	29 psig (2 bar)
Ambient Temperature Range:	5° to 120°F* (-15 to 50°C)
Inlet Temperature Range:	5° to 175°F* (-15° to 80°C)

*With dew point of supply air less than air temperature below 35°F (2°C).

Subbase Specifications

Thread Types:	ISO G or NPT available
All Pilot Supply Ports:	1/8"
Size 1 Single Subbase:	1/4"
Size 1 Manifolding Subbase:	1/4" cylinder ports, 3/8" supply and exhaust ports in end plates
Size 2 Single Subbase:	3/8"
Size 2 Manifolding Subbase:	3/8" cylinder ports, 1/2" supply and exhaust ports in end plates
Size 3 Single Subbase:	1/2"
Size 3 Manifolding Subbase:	1/2" cylinder ports, 1" supply and exhaust ports in end plates

Average Flow Factor (C_v)[†]

Size 1:	Cv 1.2
Size 2:	Cv 2.4
Size 3:	Cv 4.0

[†]Flow rating determined in accordance with ANSI/(NFPA) T3.21.3, Pneumatic fluid power – Flow test procedure and reporting method – for fixed orifice components.

Standard Solenoid Pilot Operator Specifications

Voltages and Power Requirements:	
Standard:	120V/60Hz-110V/50Hz: 2.5W
Optional:	24V/60Hz-24V/50Hz: 2.5W
	12 VDC: 2W
	24 VDC: 2W
	240V/60Hz-220V/50Hz: 5.0W
Duty:	Continuous at 90 to 105 % of rated voltage.
Coil Type:	Class H. Molded with three-pin plug-in connector
Enclosure Classification:	NEMA 4 and DIN 40050 – IP 65
Override:	Manual, locking/nonlocking.
Electrical Plug-In Connection:	Cable grip for cables from 1/4" to 5/16" (6 mm) dia. standard

Electrical Spade Connections on the operator receptacle conform to industry standard form B for 3-pin connectors, 11 mm spacing.

Valve Materials

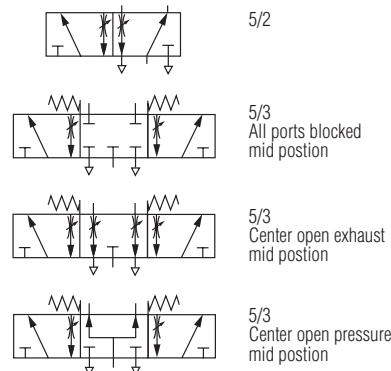
Body:	Aluminum die-cast
Spool & Sleeve:	Aluminum hard anodized (NITUFF® coated)
Valve Seals:	Nitrile
Pilot Seals:	Viton
Plastic Parts:	POM & PA6-3-T
Screws:	Steel, zinc plated
Locking Plate:	Zinc die-cast
Speed Controls:	Brass
Solenoid Operators:	
Base:	PPS plastic
Plunger & Spring:	Stainless steel
Solenoid Coil Housing:	Epoxy thermoset
Piston:	Acetal thermoplastic
Body:	Zinc

Response Time (ON/OFF)

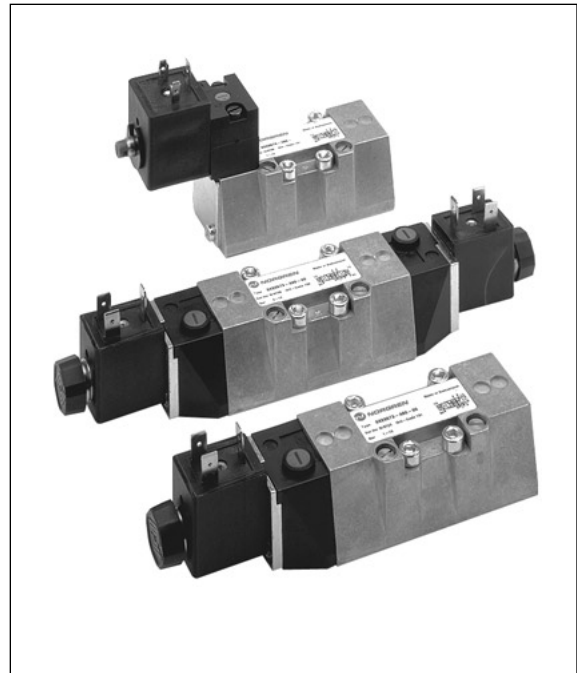
Size 1:	20/34 msec ±20%
Size 2:	30/50 msec ±20%
Size 3:	48/48 msec ±20%

Note: Response times measured at 90 psig (6 bar) with a 5/2, single solenoid valve configuration.

Valve Graphic Symbols



- NITUFF® coated non-corrosive spool and sleeve for long trouble free life (100 million plus cycles)
- Integral flow controls for cylinder speed control on size #1, and #2 models
- Low power solenoids with manual override options
- End and CNOMO solenoid pilots
- Base mounted soft start valves available
- Minimal maintenance


Technical Data
Medium:

Compressed air, 40µm filtered, lubricated or non-lubricated

Operation:

Glandless spool valve, solenoid pilot or air pilot actuated

Mounting:

On sub-bases

Sizes:

- #1
- #2
- #3

Operating Pressure:
Maximum pressure

145 psig (10 bar) solenoid pilot actuated valves with internal pilot supply

232 psig (16 bar) solenoid pilot actuated valves with external pilot supply

232 psig (16 bar) air pilot actuated valves

Details of minimum and maximum pilot pressure see VAL-5-3

Flow Characteristics (unregulated):

Size	Cv	'C'	'b'	'A'	l/min	Kv
#1	1.2	5.5	0.06	19.7	1230	1.08
#2	2.4	10.7	0.12	39.2	2450	2.16
#3	4.0	17.9	0.07	64.0	4000	3.52

Ambient Temperature:

5°F* to 122°F (–15°C to 50°C) solenoid pilot actuated valves

5°F* to 176°F (–15°C to 80°C) air pilot actuated valves

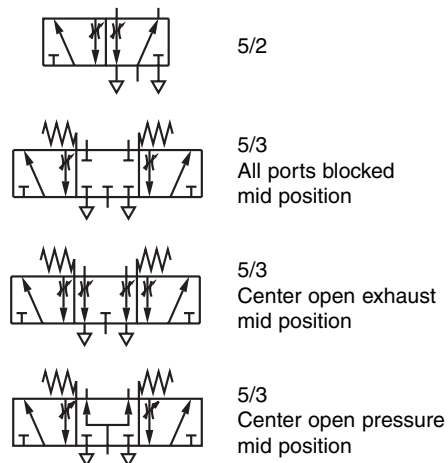
*Consult our Technical Service for use below 36°F (2°C)

Materials:

Die cast aluminum body. Hard anodized, Teflon coated, matched aluminum spool and sleeve. Viton and nitrile rubber seals. Zinc die cast locking plate. POM plastic parts. Zinc plated screws. Brass flow regulators.

Ordering Information

To order select model number, add voltage code and connector code, e.g. SXE 0573-A60-00/13JB for a 5/2 double end solenoid pilot size #1 valve with internal pilot air supply, integral flow regulators, shrouded push button lockable manual override, 22 mm coil 24V d.c. with cable grip connector.





5/2 End Solenoid Pilot Actuated Valves

Symbol	Model	Size	Flow Control	Pilot Supply	Operator	Return	Operating Pressure psig (bar)	Pilot Pressure psig (bar)	Weight lb. (kg)
	SXE9573-A70-00****	#1	-	Internal	Solenoid	Air Spring	14.5 - 145 (1 - 10)	-	0.74 (0.33)
	SXE9574-A70-00****	#2	-						1.34 (0.59)
	SXE9575-A70-00****	#3	-						1.93 (0.85)
	SXE9573-A80-00****	#1	Integral						0.74 (0.33)
	SXE9574-A80-00****	#2	Integral						1.34 (0.59)
	SXE9573-A75-00****	#1	-	External	Solenoid	Air Spring	26" Hg - 232 (-0.9 - 16)	14.5 - 145 (1 - 10)	0.74 (0.33)
	SXE9574-A75-00****	#2	-						1.34 (0.59)
	SXE9575-A75-00****	#3	-						1.93 (0.85)
	SXE9573-A85-00****	#1	Integral						0.74 (0.33)
	SXE9574-A85-00****	#2	Integral						1.34 (0.59)
	SXE0573-A50-00****	#1	-	Internal	Solenoid	Solenoid	29 - 145 (2 - 10)	-	1.02 (0.45)
	SXE0574-A50-00****	#2	-						1.63 (0.72)
	SXE0575-A50-00****	#3	-						2.18 (0.96)
	SXE0573-A60-00****	#1	Integral						1.02 (0.45)
	SXE0574-A60-00****	#2	Integral						1.63 (0.72)
	SXE0573-A55-00****	#1	-	External	Solenoid	Solenoid	26" Hg - 232 (-0.9 - 16)	29 - 145 (2 - 10)	1.02 (0.45)
	SXE0574-A55-00****	#2	-						1.63 (0.72)
	SXE0575-A55-00****	#3	-						2.18 (0.96)
	SXE0573-A65-00****	#1	Integral						1.02 (0.45)
	SXE0574-A65-00****	#2	Integral						1.63 (0.72)

5/3 End Solenoid Pilot Actuated Valves

Symbol	Model	Size	Flow Control	Valve Function*	Pilot Supply	Operator	Operator	Operating Pressure psig (bar)	Pilot Pressure psig (bar)	Weight lb. (kg)
	SXE9673-A60-00****	#1	Integral	APB	Internal	Solenoid	Solenoid	29 - 145 (2 - 10)	-	1.02 (0.45)
	SXE9674-A60-00****	#2	Integral							1.63 (0.72)
	SXE9675-A50-00****	#3	-							2.18 (0.96)
	SXE9673-A65-00****	#1	Integral	APB	External	Solenoid	Solenoid	26" Hg - 232 (-0.9 - 16)	29 - 145 (2 - 10)	1.02 (0.45)
	SXE9674-A65-00****	#2	Integral							1.63 (0.72)
	SXE9675-A55-00****	#3	-							2.18 (0.96)
	SXE9773-A60-00****	#1	Integral	COE	Internal	Solenoid	Solenoid	29 - 145 (2 - 10)	-	1.02 (0.45)
	SXE9774-A60-00****	#2	Integral							1.63 (0.72)
	SXE9775-A50-00****	#3	-							2.18 (0.96)
	SXE9773-A65-00****	#1	Integral	COE	External	Solenoid	Solenoid	26" Hg - 232 (-0.9 - 16)	29 - 145 (2 - 10)	1.02 (0.45)
	SXE9774-A65-00****	#2	Integral							1.63 (0.72)
	SXE9775-A55-00****	#3	-							2.18 (0.96)
	SXE9873-A60-00****	#1	Integral	COP	Internal	Solenoid	Solenoid	29 - 145 (2 - 10)	-	1.02 (0.45)
	SXE9874-A60-00****	#2	Integral							1.63 (0.72)
	SXE9875-A50-00****	#3	-							2.18 (0.96)
	SXE9873-A65-00****	#1	Integral	COP	External	Solenoid	Solenoid	26" Hg - 232 (-0.9 - 16)	29 - 145 (2 - 10)	1.02 (0.45)
	SXE9874-A65-00****	#2	Integral							1.63 (0.72)
	SXE9875-A65-00****	#3	-							2.18 (0.96)

***Insert 3-digit voltage code from **Voltage Codes and Replacement Coils** table below.
 † Insert letter from **Connector Option Codes** table below.

* Valve Function Designations: APB = All Ports Blocked
 COE = Center Open Exhaust
 COP = Center Open Pressure

Voltage Codes and Replacement Coils

Voltage	22 mm Coil with connector interface acc. to Industrial Standard			30 mm Coil with connector interface acc. to DIN 43650 table "A"		
	Code	Power Inrush/Hold	Coil Part.-no.	Code	Power Inrush/Hold	Coil Part.-no.
12 V d.c.	12J	2 W	54469-01	22N	1.5 W	V10633-A12
24 V d.c.	13J	2 W	54469-02	23N	1.5 W	V10633-A13
24 V 50/60 Hz	14J	4/2.5 VA	54469-04	24N	3/2 VA	V10633-A14
48 V 50/60 Hz	16J	4/2.5 VA	54469-07	26N	3/2 VA	V10633-A16
110/120 V 50/60 Hz	18J	4/2.5 VA	54469-03	28N	3/2 VA	V10633-A18
220/240 V 50/60 Hz	19J	9/5.0 VA	54469-08	89N	10/8VA	V10633-A39

Other Voltages available on request.
 For further technical data on coils see p. VAL-5-7.

Connector Option Codes

- A = Solenoid without connector
- B = Cable grip
- C = 6 ft. molded cable, 0-240V a.c./V d.c.
- 5 = 6 ft. molded cable with indicator light, surge suppression, 24V a.c./V d.c.
- 6 = 6 ft. molded cable with indicator light, 110V/50 Hz - 120V/60Hz

Part Number Example

SXE9573-Z70-0012JA
 Where "12J" is a 12V d.c. coil with a 22 mm connector interface, and "A" is a solenoid without connector.



ISO Star Series Valves

5/2 CNOMO Solenoid Pilot Actuated Valves (Consult factory for lead times)

Symbol	Model	Size	Flow Control	Pilot Supply	Operator	Return	Operating Pressure psig (bar)	Pilot Pressure psig (bar)	Weight lb. (kg)
	SXE9573-Z70-90***†	#1	-	Internal	Solenoid	Air Spring	14.5 - 145 (1 - 10)	-	0.74 (0.33)
	SXE9574-Z70-90***†	#2	-						1.34 (0.59)
	SXE9575-Z70-90***†	#3	-						1.93 (0.85)
	SXE9573-Z80-90***†	#1	Integral						0.74 (0.33)
	SXE9574-Z80-90***†	#2	Integral						1.34 (0.59)
	SXE9573-Z75-90***†	#1	-	External	Solenoid	Air Spring	26" Hg - 232 (-0.9 - 16)	14.5 - 145 (1 - 10)	0.74 (0.33)
	SXE9574-Z75-90***†	#2	-						1.34 (0.59)
	SXE9575-Z75-90***†	#3	-						1.93 (0.85)
	SXE9573-Z85-90***†	#1	Integral						0.74 (0.33)
	SXE9574-Z85-90***†	#2	Integral						1.34 (0.59)
	SXE0573-Z50-90***†	#1	-	Internal	Solenoid	Solenoid	29 - 145 (2 - 10)	-	1.02 (0.45)
	SXE0574-Z50-90***†	#2	-						1.63 (0.72)
	SXE0575-Z50-90***†	#3	-						2.18 (0.96)
	SXE0573-Z60-90***†	#1	Integral						1.02 (0.45)
	SXE0574-Z60-90***†	#2	Integral						1.63 (0.72)
	SXE0573-Z55-90***†	#1	-	External	Solenoid	Solenoid	26" Hg - 232 (-0.9 - 16)	29 - 145 (2 - 10)	1.02 (0.45)
	SXE0574-Z55-90***†	#2	-						1.63 (0.72)
	SXE0575-Z55-90***†	#3	-						2.18 (0.96)
	SXE0573-Z65-90***†	#1	Integral						1.02 (0.45)
	SXE0574-Z65-90***†	#2	Integral						1.63 (0.72)

***Insert 3-digit voltage code from **Voltage Codes and Replacement Coils** table below. † Insert letter from **Connector Option Codes** table below.

5/3 CNOMO Solenoid Pilot Actuated Valves (Consult factory for lead times)

Symbol	Model	Size	Flow Control	Valve Function*	Pilot Supply	Operator	Operator	Operating Pressure psig (bar)	Pilot Pressure psig (bar)	Weight lb. (kg)
	SXE9673-Z60-90***†	#1	Integral	APB	Internal	Solenoid	Solenoid	29 - 145 (2 - 10)	-	1.02 (0.45)
	SXE9674-Z60-90***†	#2	Integral							1.63 (0.72)
	SXE9675-Z50-90***†	#3	-							2.18 (0.96)
	SXE9673-Z65-90***†	#1	Integral	APB	External	Solenoid	Solenoid	26" Hg - 232 (-0.9 - 16)	29 - 145 (2 - 10)	1.02 (0.45)
	SXE9674-Z65-90***†	#2	Integral							1.63 (0.72)
	SXE9675-Z55-90***†	#3	-							2.18 (0.96)
	SXE9773-Z60-90***†	#1	Integral	COE	Internal	Solenoid	Solenoid	29 - 145 (2 - 10)	-	1.02 (0.45)
	SXE9774-Z60-90***†	#2	Integral							1.63 (0.72)
	SXE9775-Z50-90***†	#3	-							2.18 (0.96)
	SXE9773-Z65-90***†	#1	Integral	COE	External	Solenoid	Solenoid	26" Hg - 232 (-0.9 - 16)	29 - 145 (2 - 10)	1.02 (0.45)
	SXE9774-Z65-90***†	#2	Integral							1.63 (0.72)
	SXE9775-Z55-90***†	#3	-							2.18 (0.96)
	SXE9873-Z60-90***†	#1	Integral	COP	Internal	Solenoid	Solenoid	29 - 145 (2 - 10)	-	1.02 (0.45)
	SXE9874-Z60-90***†	#2	Integral							1.63 (0.72)
	SXE9875-Z50-90***†	#3	-							2.18 (0.96)
	SXE9873-Z65-90***†	#1	Integral	COP	External	Solenoid	Solenoid	26" Hg - 232 (-0.9 - 16)	29 - 145 (2 - 10)	1.02 (0.45)
	SXE9874-Z65-90***†	#2	Integral							1.63 (0.72)
	SXE9875-Z55-90***†	#3	-							2.18 (0.96)

* Valve Function Designations: APB = All Ports Blocked
COE = Center Open Exhaust
COP = Center Open Pressure

Voltage Codes and Replacement Coils

Voltage	22 mm Coil with connector interface acc. to Industrial Standard			30 mm Coil with connector interface acc. to DIN 43650 table "A"		
	Code	Power Inrush/Hold	Coil Part.-no.	Code	Power Inrush/Hold	Coil Part.-no.
12 V d.c.	12J	2 W	54469-01	22N	1.5 W	V10633-A12
24 V d.c.	13J	2 W	54469-02	23N	1.5 W	V10633-A13
24 V 50/60 Hz	14J	4/2.5 VA	54469-04	24N	3/2 VA	V10633-A14
48 V 50/60 Hz	16J	4/2.5 VA	54469-07	26N	3/2 VA	V10633-A16
110/120 V 50/60 Hz	18J	4/2.5 VA	54469-03	28N	3/2 VA	V10633-A18
220/240 V 50/60 Hz	19J	9/5.0 VA	54469-08	89N	10/8VA	V10633-A39

Other Voltages available on request.
For further technical data on coils see p. VAL-5-7.

Connector Option Codes

A = Solenoid without connector
B = Cable grip
C = 6 ft. molded cable, 0-240V a.c./V d.c.
5 = 6 ft. molded cable with indicator light, surge suppression, 24V a.c./V d.c.
6 = 6 ft. molded cable with indicator light, 110V/50 Hz - 120V/60Hz

Part Number Example

SXE9573-Z70-0012JA

Where "12J" is a 12V d.c. coil with a 22 mm connector interface, and "A" is a solenoid without connector.



5/2 Air Pilot Actuated Valves

Symbol	Model	Size	Flow Control	Operator	Return	Operating Pressure psig (bar)	Pilot Pressure psig (bar)	Weight lb. (kg)
	SXP9573-170-00B	#1	-	Air	Spring	26" Hg - 232 (-0.9 - 16)	23.2 - 232 (1.6 - 16)	0.47 (0.21)
	SXP9574-170-00B	#2	-					1.02 (0.45)
	SXP9575-170	#3	-					1.63 (0.72)
	SXP9573-180-00B	#1	Integral					0.47 (0.21)
	SXP9574-180-00B	#2	Integral					1.02 (0.45)
	SXP0573-170-00B	#1	-	Air	Air	26" Hg - 232 (-0.9 - 16)	29 - 232 (2 - 16)	0.68 (0.30)
	SXP0574-170-00B	#2	-					1.13 (0.50)
	SXP0575-170	#3	-					1.63 (0.72)
	SXP0573-180-00B	#1	Integral					0.68 (0.30)
	SXP0574-180-00B	#2	Integral					1.13 (0.50)

5/3 Air Pilot Actuated Valves

Symbol	Model	Size	Flow Control	Valve Function*	Operator	Operator	Operating Pressure psig (bar)	Pilot Pressure psig (bar)	Weight lb. (kg)
	SXP9673-180-00B	#1	Integral	APB	Air	Air	26" Hg - 232 (-0.9 - 16)	29 - 232 (2 - 16)	0.57 (0.25)
	SXP9674-180-00B	#2	Integral						1.32 (0.58)
	SXP9675-170	#3	-						1.82 (0.80)
	SXP9773-180-00B	#1	Integral	COE	Air	Air	26" Hg - 232 (-0.9 - 16)	29 - 232 (2 - 16)	0.57 (0.25)
	SXP9774-180-00B	#2	Integral						1.32 (0.58)
	SXP9775-170	#3	-						1.82 (0.80)
	SXP9873-180-00B	#1	Integral	COP	Air	Air	26" Hg - 232 (-0.9 - 16)	29 - 232 (2 - 16)	0.57 (0.25)
	SXP9874-180-00B	#2	Integral						1.32 (0.58)
	SXP9875-170	#3	-						1.82 (0.80)

* Valve Function Designations:
 APB = All Ports Blocked
 COE = Center Open Exhaust
 COP = Center Open Pressure

Electrical Details for Solenoid Operators

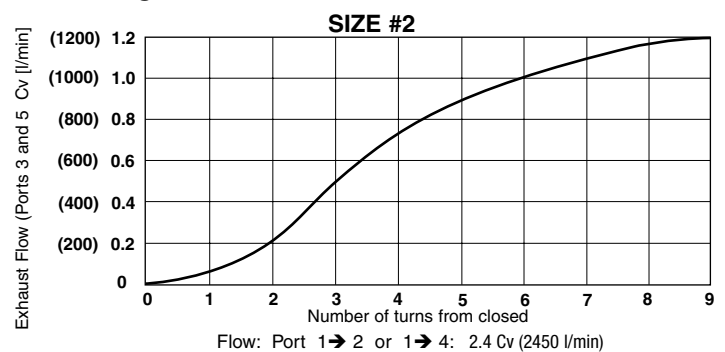
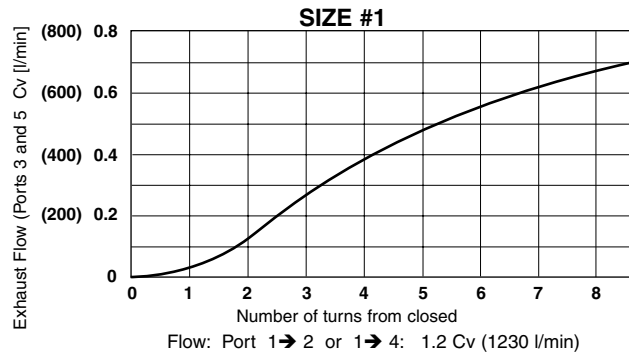
Voltage Tolerance	± 10%
Rating	100% Continuous Duty
Inlet orifice	1.0 mm (End & CNOMO Solenoid Operator)
Electrical Connection (corresponding to chosen coil)	DIN 43 650 table 'A' DIN 43 650 table 'B' Industrial Standard 22 mm width
Solenoid Coil	May be rotated at 90° intervals
Manual Override	End Solenoid versions: Shrouded push button, spring return, lockable Shrouded push button, spring return CNOMO Solenoid versions: Screwdriver, memory type Push to operate spring return
Protection Class	NEMA 4, and IP 65 with sealed plug (ISO 6952)

Replacement Connectors

Connector Option Codes	22 mm coil Industrial standard	30 mm coil DIN 43650 table "A"
A = Solenoid without connector		
B = Cable grip	54934-01	54933-05
C = 6 ft. molded cable, 0-240V a.c./V d.c.	54934-21	54933-06
5 = 6 ft. molded cable with indicator light surge suppression, 24V a.c./V d.c.	54934-30	54933-09
6 = 6 ft. molded cable with indicator light 110V/50 Hz - 120V/60 Hz	54934-35	M/P43316/23

Other Connectors available on request.

Exhaust Flow Characteristics For Valves With Integral Flow Regulators



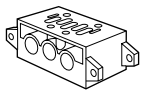
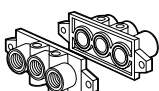
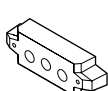

Flow measured at 90 psi (6 bar), Pressure drop 15 psi (1 bar)



ISO Star Series Valves

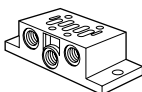
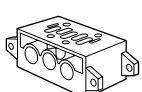
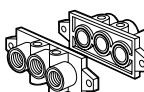
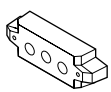

Base Ranges and Accessories

Side Ported Modular Base Range

	 Modular Sub-base Side Ported	 Modular Sub-base End Plates (2)	 Transition plate	 Blanking disk
NPT #1 models	1001 (1/4)	1002 (3/8)	1009 (#1→#2)	1001-6-1
NPT #2 models	2101 (3/8) ¹	2102 (1/2)	2109 (#2→#3)	2106-1
NPT #3 models	3101 (3/4) ¹	3102-75-75 (3/4") ²	–	
		3102-75-B (3/4") ³		

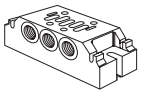
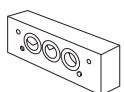


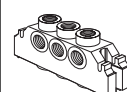
¹-side and bottom ported ²-both ends ported ³-one end ported

VDMA 24 345 Base Range

VDMA 24 345	 Form 'A' Single Station Sub-base Side Ported	 Form 'C' Modular Sub-base Bottom Ported	 Form 'D' Modular Sub-base End Plates (2)	 Transition plate	 Blanking disk * (dual supply)
NPT #1 models (1/4)	C/P19126	239-238B	239-289B	CQM/22152/3/24 #1→#2	239-251
NPT #2 models (3/8)	C/P19132	239-242B	239-291B	CQM/22253/3/24 #2→#3	239-252
NPT #3 models (1/2)	C/P19138	239-246B	239-293B	CQM/22354/3/24 #3→#4	239-253
ISO G #1 models	M/P19126	CQM/22152/3/21	CQM/22152/3/22	CQM/22152/3/24 #1→#2	FP8382
ISO G #2 models	M/P19132	CQM/22253/3/21	CQM/22253/3/22	CQM/22253/3/24 #2→#3	FP8482
ISO G #3 models	M/P19138	CQM/22354/3/21	CQM/22354/3/22	CQM/22354/3/24 #3→#4	FP8582

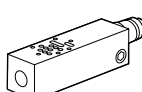
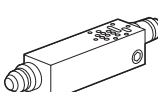
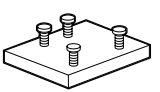
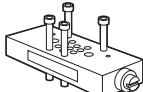
* Only suitable for specific base range.

Universal Base Range

	 Modular Sub-base Side and bottom ported	 Transition Plate	 Blanking Disk** (dual supply)	 Side End Plate All Ports Closed	 Single End Plate End Ports Open
ISO #1 models (G1/4)	CQM/22152/3/27	CQM/22152/3/29#1→2	M/P43173	CQM/22152/3/28	CQM/22152/3/31
ISO #2 models (G3/8)	CQM/22253/3/27		M/P43174	CQM/22253/3/28	CQM/22253/3/31

** Universal base range only.

Accessories

	 Single Pressure Regulator port 1 regulated	 Pressure Regulator ports 2 & 4 regulated	 Blanking Plate	 Sandwich Flow Control
#1 models	RM1A-8B†	DRM1A-8-8B†	CQM/22152/3/23	
#2 models	RM2A-8B†	DRM2A-8-8B†	CQM/22253/3/23	
#3 models	RM3A-8B†	–	CQM/22354/3/23	CQM/22354/3/26

† CNOMO style valves recommended

Sandwich Regulators (valve mounts to regulator, regulator mounts to subbase)

	Single Pressure port 1 regulated	Dual Pressure ports 2 & 4	Single Pressure port 2	Single Pressure Port 4
ISO #1	V71020-KB1	V71022-KB4	V71022-KB2	V71022-KB3
ISO #2	V71020-KC1	V71022-KC4	V71022-KC2	V71022-KC3
ISO #3	V71020-KD1	V71022-KD4	V71022-KD2	V71022-KD3

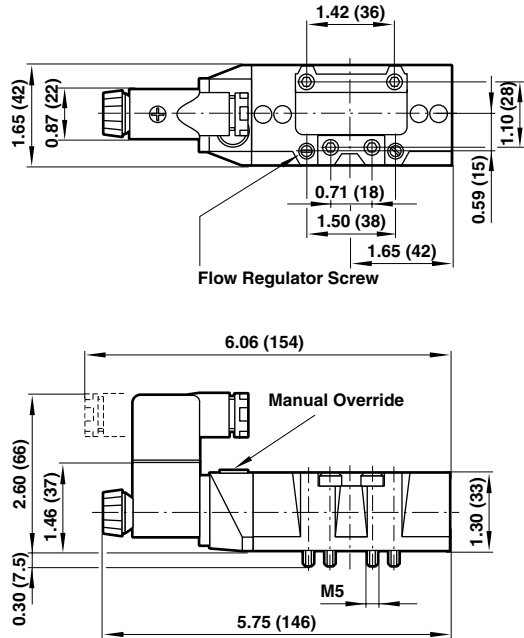
ISO Star Series Valves

All Dimensions in Inches (mm)



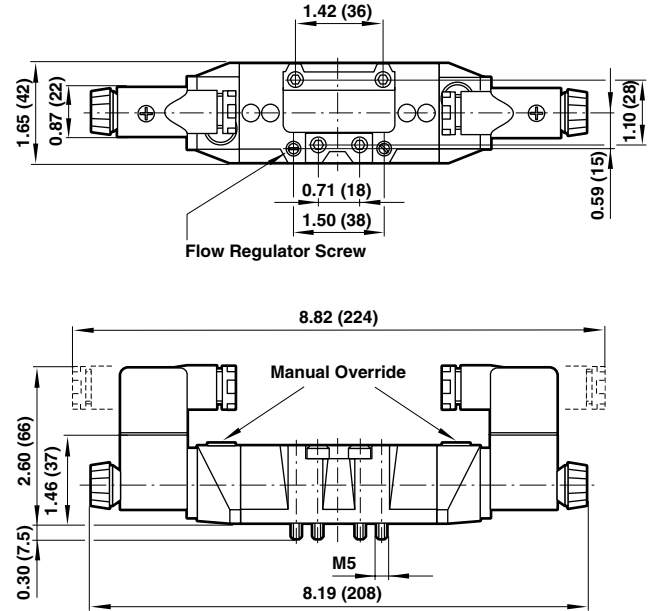
SXE 9573 – A Models

Single End Solenoid Pilot Valves Size #1



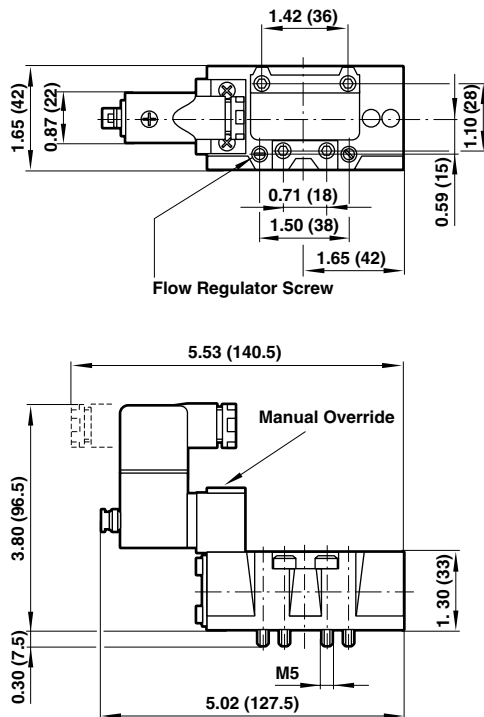
SXE 0573-A and SXE9*73-A Models

Double End Solenoid Pilot Valves Size #1



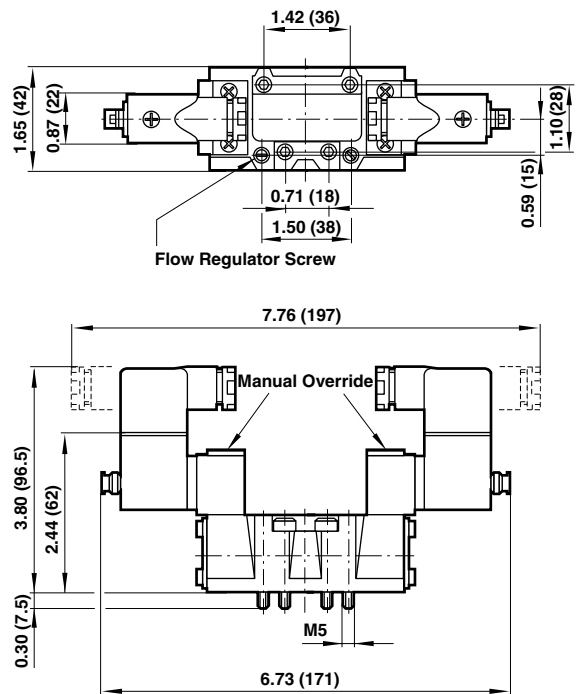
SXE 9573-Z Models

Single CNOMO Solenoid Pilot Valves Size #1



SXE 0573-Z and SXE 9*73-Z Models

Double CNOMO Solenoid Pilot Valves Size #1



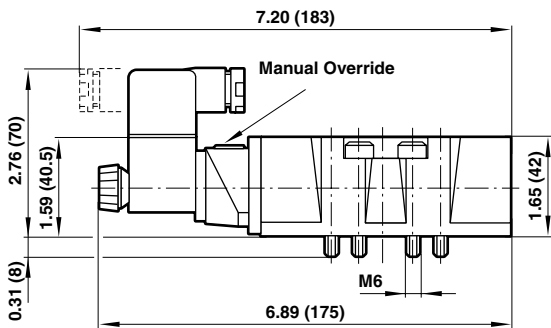
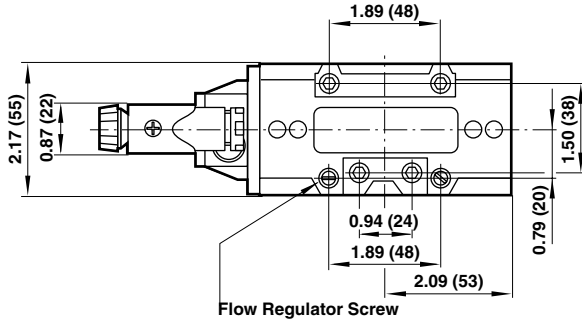


ISO Star Series Valves

All Dimensions in Inches (mm)

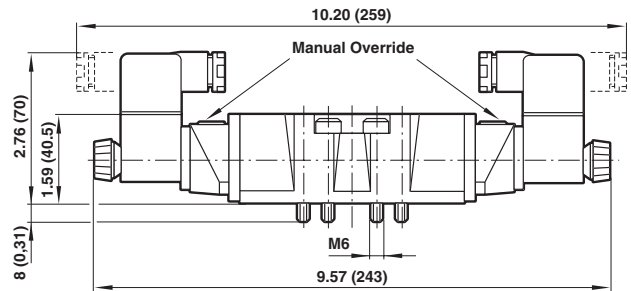
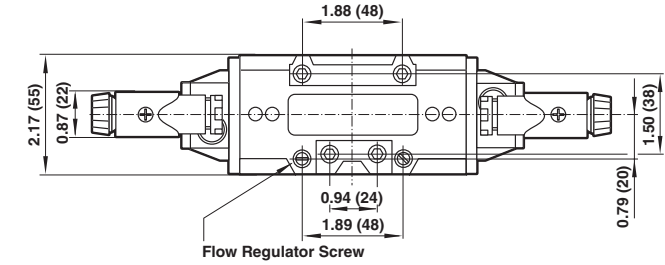
SXE 9574-A Models

Single End Solenoid Pilot Valves Size #2



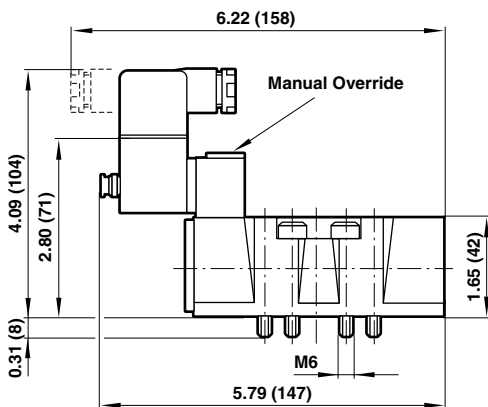
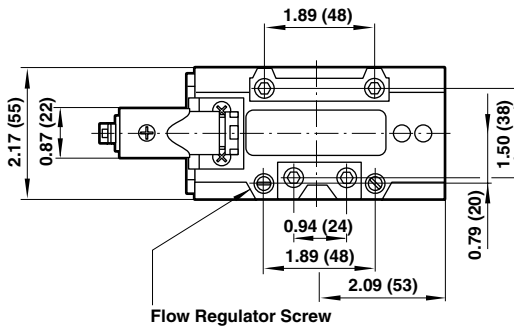
SXE 0574-A, SXE 9*74-A Models

Double End Solenoid Pilot Valves Size #2



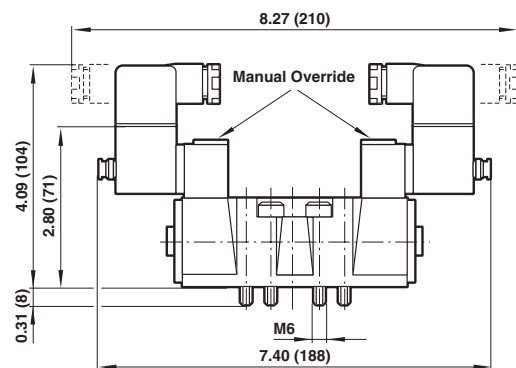
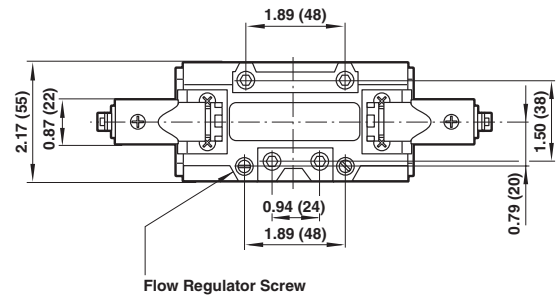
SXE 9574-Z Models

Single CNOMO Solenoid Pilot Valves Size #2



SXE 0574-Z and SXE 9*74-Z Models

Double CNOMO Solenoid Pilot Valves Size #2



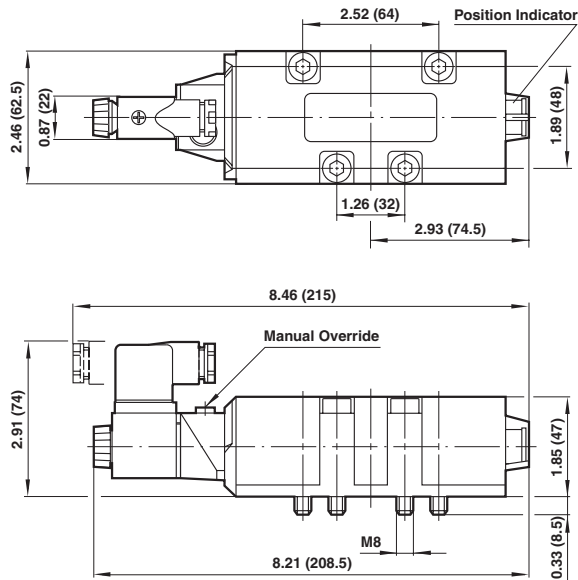
ISO Star Series Valves

All Dimensions in Inches (mm)



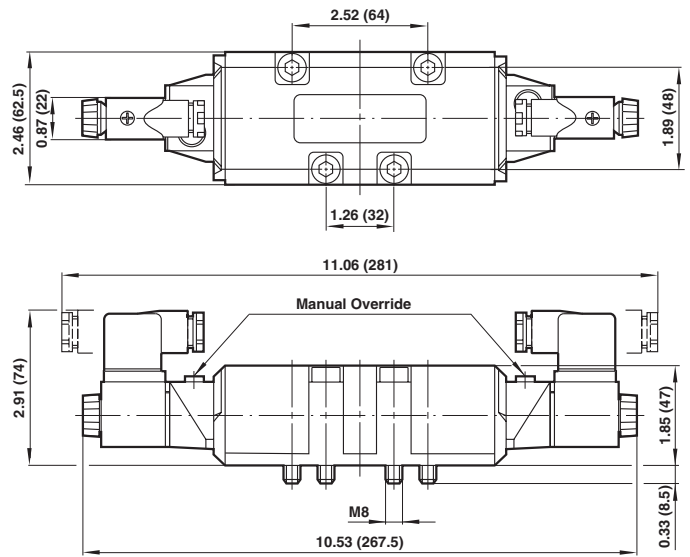
SXE 9575-A Models

Single End Solenoid Pilot Valves Size #3



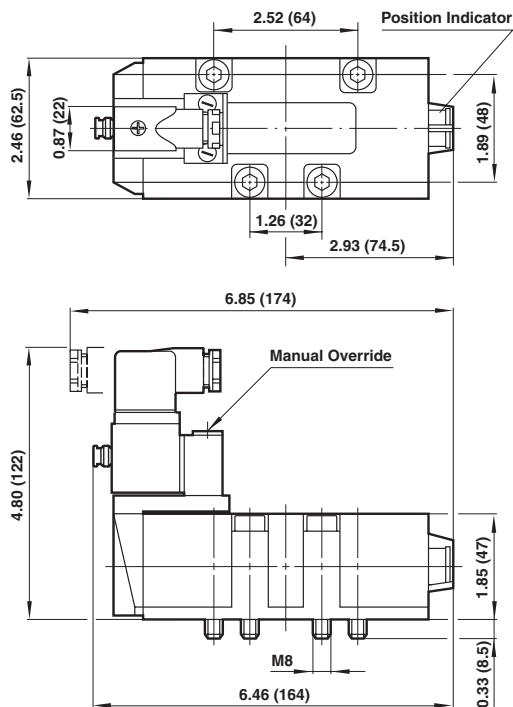
SXE 0575-A and SXE 9*75-A Models

Double End Solenoid Pilot Valves Size #3



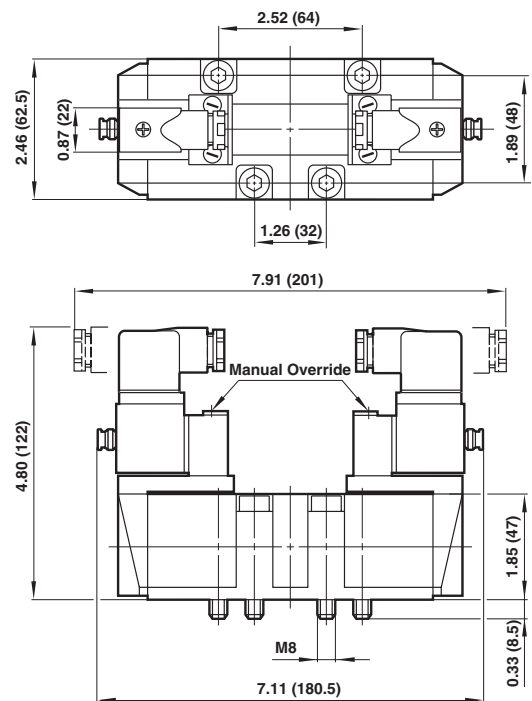
SXE 9575-Z Models

Single CNOMO Solenoid Pilot Valves Size #3



SXE 0575-Z and SXE 9*75-Z Models

Double CNOMO Solenoid Pilot Valves Size #3



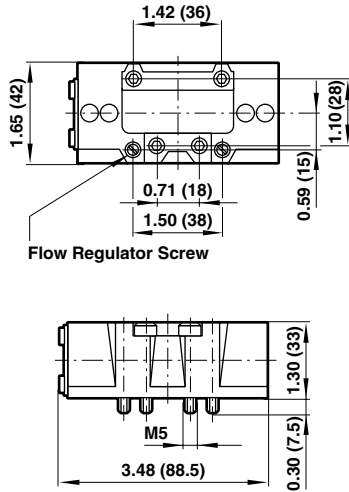


ISO Star Series Valves

All Dimensions in Inches (mm)

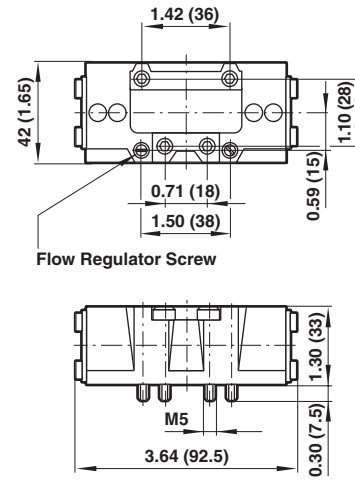
SXP 9573-1 Models

Single Air Pilot Valves Size #1 (5/2)



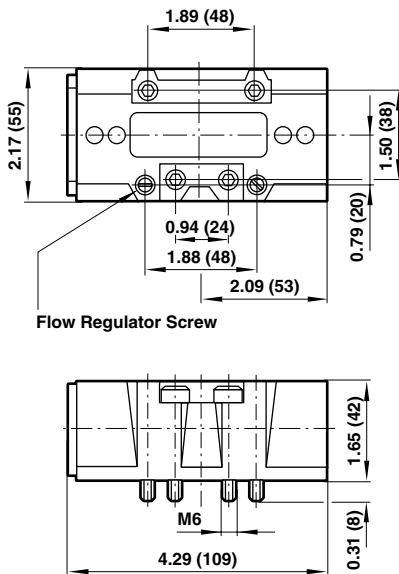
SXP 0573-1 and SXP 9*73-1 Models

Double Air Pilot, Spring Centered Valves Size #1 (5/3)



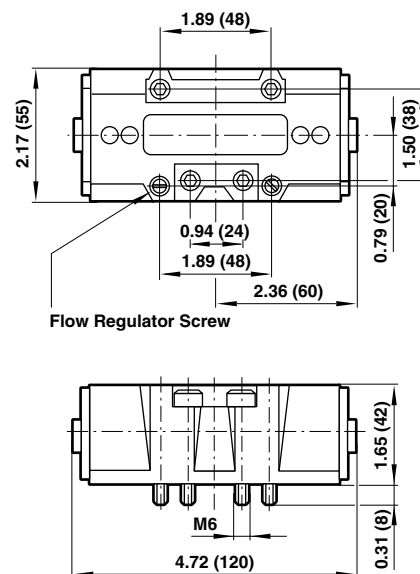
SXP *574-1 Models

Single and Double Air Pilot Valves Size #2 (5/2)



SXP 9*74-1 Models

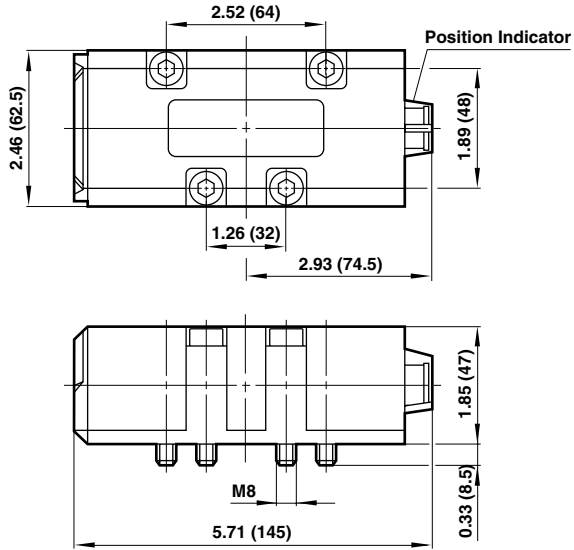
Double Air Pilot, Spring Centered Valves Size #2 (5/3)





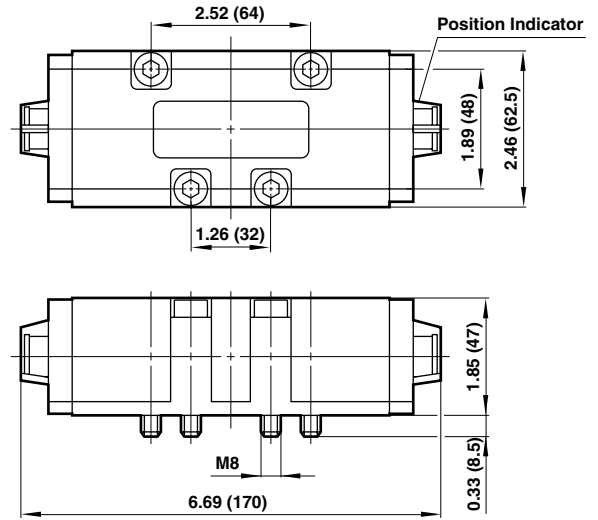
SXP *575-1 Models

Single and Double Air Pilot Valves
Size #3 (5/2)



SXP 9*75-1 Models

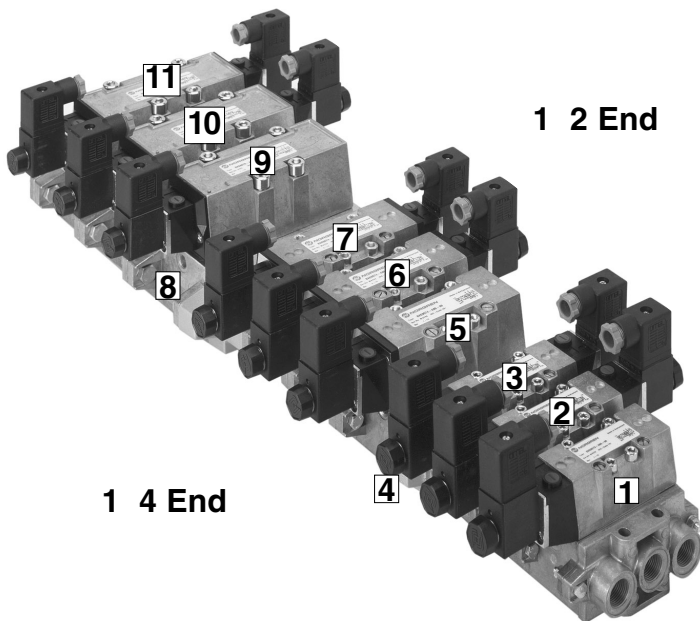
Double Air Pilot, Spring Centered Valves
Size #3 (5/3)





Factory Assembled Valve and Manifolding Subbase Assemblies

For the purpose of creating ordering information, the valve and manifolding subbase assembly are oriented with the 1 2 operator end on the right, and the 1 4 operator end on the left. The valves are listed from FRONT to BACK. The following ordering example details the information needed to order the valve assembly shown at right. This example includes valves sizes 1, 2, and 3, transition plates, ISO G subbases and end plates, and assembly charge, (dependent on the number of stations in the stack).



Position	Quantity	Part Number
1	1	SXE9573A800018JB
	1	CQM/22152/21
2	1	SXE0573A600018JB
	1	CQM/22152/21
3	1	SXE0573A600018JB
	1	CQM/22152/21
4	1	CQM/22152/3/24
5	1	SXE9574A800018JB
	1	CQM/22253/21
6	1	SXE0574A600018JB
	1	CQM/22253/21
7	1	SXE0574A600018JB
	1	CQM/22253/21
8	1	CQM/22253/3/24
9	1	SXE9575A700018JB
	1	CQM/22354/21
10	1	SXE0575A500018JB
	1	CQM/22354/21
11	1	SXE0575A500018JB
	1	CQM/22354/21
End Plate Kit	1	CQM/22152/22
	1	CQM/22354/22
	11*	99-130-530**

*Number of stations to be assembled
** Assembly charge order number

Assembly Charges

When ordering a factory assembled valve stack, include the total number of stations to be assembled in the stack and the assembly charge order number. See the example at left.

Assembly charge99-130-530

There is no assembly charge for valves assembled to a single subbase.

Valve Assembled to a Single Subbase

To order a valve assembled to a single subbase follow this example:

SXE9574A800018JB (valve order number)
with M/P19132 (subbase order number)

The product ordered is a size #2 single solenoid pilot operated valve with integral air return and speed controls attached to a 3/8" ported single subbase.



SXE 9574-A70-0018 J B

Operator Type

SXE = Solenoid pilot operated valve
 SXP = Air pilot operated valve

Signal Duration

0 = Momentary (2-position double operator only)
 9 = Continuous

Internal Variations

5 = 5-Port/2-position
 6 = 5-Port/3-position, spring centered, all ports blocked
 7 = 5-Port/3-position, spring centered, cylinder ports open to exhaust
 8 = 5-Port/3-position, spring centered, cylinder ports open to pressure

Mounting Type

7 = ISO Star Series

Size

3 = Size 1
 4 = Size 2
 5 = Size 3

Connector

A = No electrical connector
 B = Cable grip
 C = 6 ft molded cable, 0-240 V a.c./V d.c.
 5 = 6 ft molded cable, w/indicator light, surge suppression, 24V a.c./V d.c.
 6 = 6 ft molded cable, 110-120 V a.c./V d.c.
 Left Blank = Air pilot operated

Connector Interface

J = 22 mm coil with connector interface according to Industrial Standard
 L = 22 mm coil with connector interface according to DIN 43650 table "B"
 N = 30 mm coil with connector interface according to DIN 43650 table "A"
 Blank = No coil or air pilot operated

Solenoid Voltage

2 = 12V d.c.
 3 = 24V d.c.
 4 = 24V 50/60 Hz
 6 = 48V 50/60 Hz
 8 = 110/120V 50/60 Hz
 9 = 220/240V 50/60 Hz
 Blank = No coil or air pilot operated

Coil

1 = 20 mm coil
 2 = 30 mm coil

Manual Override

00 = Combination locking/nonlocking
 01 = Nonlocking
 90 = Low watt locking (CNOMO)

Pilot Supply/Integral Air Return Operator

0 = Internal / integral air return
 1 = Internal / spring return
 5 = External / integral air
 6 = External / spring return

Valve Body Options

	Speed Control	Coils
5 =	no	double solenoid
6 =	yes	double solenoid
7 =	no	single solenoid
8 =	yes	single solenoid

Solenoid Type

A = Standard solenoid pilot operator
 Z = CNOMO solenoid pilot operator

