

**74 Series Pressure Relief Valve
3/8", 1/2", 3/4" Port Sizes**

- Excelon design allows in-line or modular installation
- Push to lock adjusting knob with tamper resistant accessory
- Easily disassembled for servicing without removal from air line
- Helps protect air operated equipment from over pressure by retarding excessive pressure build up
- Modular installations with Excelon 72, 73, and 74 series can be made to suit particular applications



Ordering Information. Models listed include PTF threads, knob adjustment, and a 5 to 150 psig (0.3 to 10 bar) relief pressure adjustment range*.

Port Size	Model	Weight lb (kg)
3/8"	V74G-3AK-NMN	0.69 (1.53)
1/2"	V74G-4AK-NMN	0.68 (1.50)
3/4"	V74G-6AK-NMN	0.67 (1.47)

Alternative Models

Port Size	Substitute
3/8"	3
1/2"	4
3/4"	6

Threads	Substitute
PTF	A
ISO Rc taper	B
ISO G parallel	G

Adjustment	Substitute
Knob	K
T-bar	T

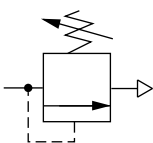
V 7 4 G - ★ ★ ★ - N ★ ★

Gauge	Substitute
With	G
Without	N

Relief Pressure Adjustment Range*	Substitute
5 to 60 psig (0.3 to 4 bar)	F
5 to 150 psig (0.3 to 10 bar)	M
10 to 250 psig (0.7 to 17 bar)**	S

* Relief valve can be adjusted to pressures in excess of, and less than, those specified. Do not use these units to control pressures outside of the specified ranges.

** Units with 250 psig (17 bar) relief pressure range are available only with the T-bar adjustment; therefore substitute **T** at the 7th position and **S** at the 9th position.

ISO Symbol


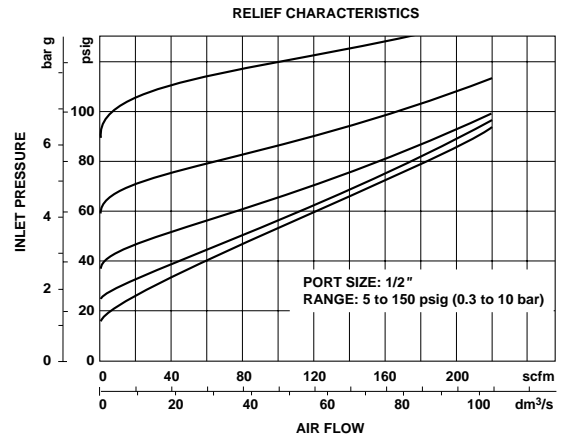
See Section ALE-24 for Accessories



Technical Data

Fluid: Compressed air
 Maximum pressure: 300 psig (20 bar)
 Operating temperature*: -30° to 175°F (-34° to 80°C)
 * Air supply must be dry enough to avoid ice formation at temperatures below 35°F (2°C).
 Gauge ports:
 1/4" PTF with PTF main ports
 Rc1/4 with ISO Rc main ports
 Rc1/8 with ISO G main ports
 Materials
 Body: Aluminum
 Bonnet: Aluminum
 Valve: Aluminum and Nitrile
 Elastomers: Nitrile
 Bottom plug: Acetal

Typical Performance Characteristics

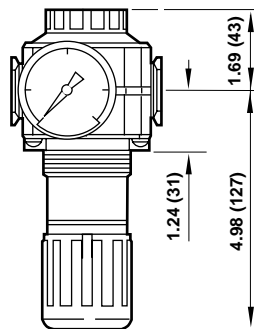
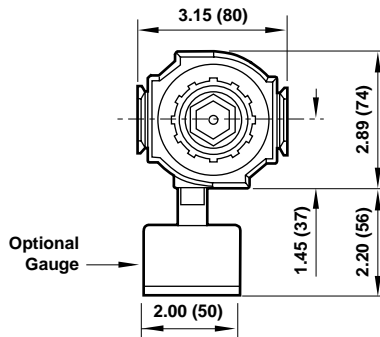


Service Kits

Item	Type	Part Number
Service kit	Diaphragm & Seal	4384-700

Service kit includes diaphragm, bottom plug o-ring.

All Dimensions in Inches (mm)



Panel mounting hole diameter: 2.06" (52 mm)
 Maximum panel thickness: 0.25" (6 mm)

