

V60, V61, and V62

3/2, 5/2, 5/3 and 2 x 3/2 Directional Control Valves

Contents

Technical Data	VAL-3-2
3/2 Solenoid Pilot Valves	VAL-3-3
2 x 3/2 Solenoid Pilot Valves	VAL-3-5
5/2 Solenoid Pilot Valves	VAL-3-7
5/3 Solenoid Pilot Valves	VAL-3-9
3/2 Solenoid Pilot Valves	VAL-3-11
2 x 3/2 Air Pilot Valves	VAL-3-11
5/2 Air Pilot Valves.....	VAL-3-13
5/3 Air Pilot Valves.....	VAL-3-13
Manifold System	VAL-3-15
Mounting Instructions.....	VAL-3-16
Product Numbering System	VAL-3-17



- High flow rate
- Manual override option
- Manifold system for easy assembly
- Low power consumption
- Maintenance-free


Technical data
Medium:

Compressed air, filtered to 50 µm, lubricated or non-lubricated.

Operation:

Solenoid pilot or air pilot operated

Mounting: Individual or fixed length manifold

Connection:

1/8" NPT up to 3/8" NPT

Operating pressure:

Maximum pressure 116 to 145 psi (8 to 10 bar)

Flow direction:

Internal pilot supply: fixed

External pilot supply: optional

Flow:

Size NPT	3/2, 5/2 Cv (l/min)	2 x 3/2, 5/3 Cv (l/min)
1/8	0.75 (750)	0.50 (500)
1/4	1.3 (1300)	0.95 (950)
3/8	2.6 (2600)	1.9 (1900)

Ambient temperature:

14°F to +122°F (-10°C to +50°C)

Fluid temperature:

14°F to +122°F (-10°C to +50°C)

Consult our Technical Service for use below 36°F (+2°C).

Materials

Housing and base plate: aluminum

Spindle: stainless steel,

Piston, spacers and cover: synthetic material

Static and dynamic seals: NBR

Screws: zinc plated

Springs: stainless steel

Alternative models

ISO G ports.



3/2 Solenoid Pilot Valves

Symbol	Model	Port size	Pilot supply	Pilot exhaust	Solenoid variant	Flow Cv (l/min)	Operating pressure psi (bar)	Pilot pressure psi (bar)	lbs (kg)	Dimensional drawing no.
	V60P417A-Ax****	1/8	Internal	Not collected	Primary	0.75 (750)	29 to 116 (2 to 8)	–	0.49 (.22)	1
	V60P427A-Ax****	1/8	External	Not collected	Primary	0.75 (750)	26" Hg to 116 (-0.9 to 8)	44 to 116 (3 to 8)	0.49 (.22)	1
	V60P417D-Cx13AA	1/8	Internal	Collected	Secondary	0.75 (750)	29 to 145 (2 to 10)	–	0.46 (.21)	4
	V60P427D-Cx13AA	1/8	External	Collected	Secondary	0.75 (750)	26" Hg to 145 (-0.9 to 10)	44 to 145 (3 to 10)	0.46 (.21)	4
	V61B417A-Ax****	1/4	Internal	Not collected	Primary	1.30 (1300)	29 to 116 (2 to 8)	–	0.64 (.29)	1
	V61B427A-Ax****	1/4	External	Not collected	Primary	1.30 (1300)	26" Hg to 116 (-0.9 to 8)	44 to 116 (3 to 8)	0.64 (.29)	1
	V61B417D-Cx13AA	1/4	Internal	Collected	Secondary	1.30 (1300)	29 to 145 (2 to 10)	–	0.60 (.27)	4
	V61B427D-Cx13AA	1/4	External	Collected	Secondary	1.30 (1300)	26" Hg to 145 (-0.9 to 10)	44 to 145 (3 to 10)	0.60 (.27)	4
	V62S417A-Ax****	3/8	Internal	Not collected	Primary	2.60 (2600)	29 to 116 (2 to 8)	–	1.15 (.52)	1
	V62S427A-Ax****	3/8	External	Not collected	Primary	2.60 (2600)	26" Hg to 116 (-0.9 to 8)	44 to 116 (3 to 8)	1.15 (.52)	1
	V62S417D-Cx13AA	3/8	Internal	Collected	Secondary	2.60 (2600)	29 to 145 (2 to 10)	–	1.10 (.50)	4
	V62S427D-Cx13AA	3/8	External	Collected	Secondary	2.60 (2600)	26" Hg to 145 (-0.9 to 10)	44 to 145 (3 to 10)	1.10 (.50)	4
	V60P317A-Ax****	1/8	Internal	Not collected	Primary	0.75 (750)	29 to 116 (2 to 8)	–	0.5 (.22)	2
	V60P327A-Ax****	1/8	External	Not collected	Primary	0.75 (750)	26" Hg to 116 (-0.9 to 8)	44 to 116 (3 to 8)	0.5 (.22)	2
	V60P317D-Cx13AA	1/8	Internal	Collected	Secondary	0.75 (750)	29 to 145 (2 to 10)	–	0.5 (.21)	4
	V60P327D-Cx13AA	1/8	External	Collected	Secondary	0.75 (750)	26" Hg to 145 (-0.9 to 10)	44 to 145 (3 to 10)	0.5 (.21)	4
	V61R317A-Ax****	1/4	Internal	Not collected	Primary	1.30 (1300)	29 to 116 (2 to 8)	–	0.64 (.29)	2
	V61R327A-Ax****	1/4	External	Not collected	Primary	1.30 (1300)	26" Hg to 116 (-0.9 to 8)	44 to 116 (3 to 8)	0.64 (.29)	2
	V61R317D-Cx13AA	1/4	Internal	Collected	Secondary	1.30 (1300)	29 to 145 (2 to 10)	–	0.60 (.27)	4
	V61R327D-Cx13AA	1/4	External	Collected	Secondary	1.30 (1300)	26" Hg to 145 (-0.9 to 10)	44 to 145 (3 to 10)	0.60 (.27)	4
	V62S317A-Ax****	3/8	Internal	Not collected	Primary	2.60 (2600)	29 to 116 (2 to 8)	–	1.15 (.52)	2
	V62S327A-Ax****	3/8	External	Not collected	Primary	2.60 (2600)	26" Hg to 116 (-0.9 to 8)	44 to 116 (3 to 8)	1.15 (.52)	2
	V62S317D-Cx13AA	3/8	Internal	Collected	Secondary	2.60 (2600)	29 to 145 (2 to 10)	–	1.10 (.50)	4
	V62S327D-Cx13AA	3/8	External	Collected	Secondary	2.60 (2600)	26" Hg to 145 (-0.9 to 10)	44 to 145 (3 to 10)	1.10 (.50)	4
	V60P411A-Ax****	1/8	Internal	Not collected	Primary	0.75 (750)	22 to 116 (1.5 to 8)	–	.66 (.30)	3
	V60P422A-Ax****	1/8	External	Not collected	Primary	0.75 (750)	26" Hg to 116 (-0.9 to 8)	44 to 116 (3 to 8)	.66 (.30)	3
	V60P411D-Cx13AA	1/8	Internal	Collected	Secondary	0.75 (750)	22 to 145 (1.5 to 10)	–	.44 (.20)	4
	V60P422D-Cx13AA	1/8	External	Collected	Secondary	0.75 (750)	26" Hg to 145 (-0.9 to 10)	44 to 145 (3 to 10)	.44 (.20)	4
	V61R411A-Ax****	1/4	Internal	Not collected	Primary	1.30 (1300)	22 to 116 (1.5 to 8)	–	0.84 (.38)	3
	V61R422A-Ax****	1/4	External	Not collected	Primary	1.30 (1300)	26" Hg to 116 (-0.9 to 8)	44 to 116 (3 to 8)	0.84 (.38)	3
	V61R411D-Cx13AA	1/4	Internal	Collected	Secondary	1.30 (1300)	22 to 145 (1.5 to 10)	–	0.60 (.27)	4
	V61R422D-Cx13AA	1/4	External	Collected	Secondary	1.30 (1300)	26" Hg to 145 (-0.9 to 10)	44 to 145 (3 to 10)	0.60 (.27)	4
	V62S411A-Ax****	3/8	Internal	Not collected	Primary	2.60 (2600)	22 to 116 (1.5 to 8)	–	1.34 (.61)	3
	V62S422A-Ax****	3/8	External	Not collected	Primary	2.60 (2600)	26" Hg to 116 (-0.9 to 8)	44 to 116 (3 to 8)	1.34 (.61)	3
	V62S411D-Cx13AA	3/8	Internal	Collected	Secondary	2.60 (2600)	22 to 145 (1.5 to 10)	–	1.10 (.50)	4
	V62S422D-Cx13AA	3/8	External	Collected	Secondary	2.60 (2600)	26" Hg to 145 (-0.9 to 10)	44 to 145 (3 to 10)	1.10 (.50)	4

**** Insert coil connector code from tables below.

For manual override options, substitute 'x' as follows:
 1 = without manual override
 2 = locking
 3 = non-locking

NC = Normally closed
 NO = Normally open

Coil & voltage codes

Primary (22 mm coil industrial standard)

Voltage	Coil code	Power inrush/hold	Model
12 V d.c.	12J	2 W	54469-01
24 V d.c.	13J	2 W	54469-02
24 V 50/60 Hz	14J	4/2.5 VA	54469-04
48 V 50/60 Hz	16J	4/2.5 VA	54469-07
110/120 V 50/60 Hz	18J	4/2.5 VA	54469-03
220/240 V 50/60 Hz	19J	6/5 VA	54469-08

Secondary

Double solenoid DIN EN 175 301-803 (DIN 43650 type C) 4 pin

Voltage	Coil code	Power inrush/hold
24 V d.c.	13 A	2 W

Plug configuration, valve side/twin pilot

Symbol	Plug no.	Function	Actuation
	1	(+)	12 (Solenoid 2)
	2	(-)	12 + 14
	3	(+)	14 (Solenoid 1)

Electrical details

Voltage tolerance:	±10%
Rating:	100% E.D.
Protection class:	IP 65 with sealed plugs (ISO 6952)

Connectors

3-Pin Industrial Standard 22mm

A = no connector	
B = Cable grip 0-240Vac/Vdc	54934-01
C = 6 ft molded cable, 0-240Vac/Vdc	54934-21
H = Cable grip w/indicator light 24Vdc	54934-08
J = Cable grip w/indicator light 120Vac	54934-02
Z = 1/2" Conduit 0-240Vac/Vdc	54934-05
5 = 6 ft molded cable w/indicator light, surge suppression, 24Vac/Vdc	54934-30
6 = 6 ft molded cable w/indicator light, 120Vac	54934-35

4-Pin Connector

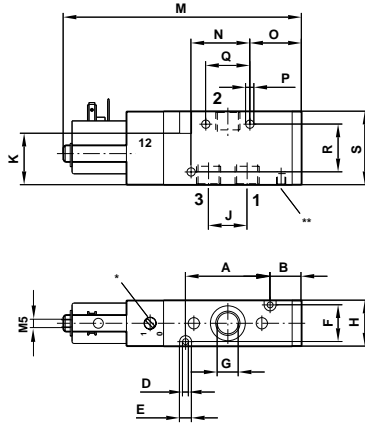
A = no connector	
Y = 4-pin cable grip 0-240Vac/Vdc	0588666
X = 4-pin 10' molded cable 0-240Vac/Vdc	0102144



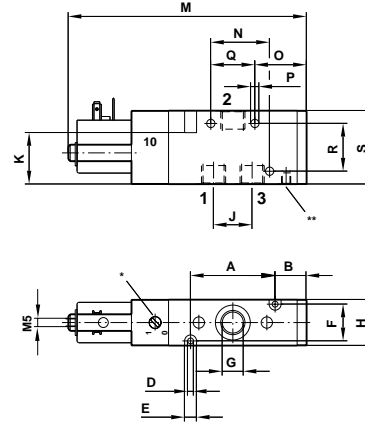
V60 Series

All Dimensions in Inches (mm)

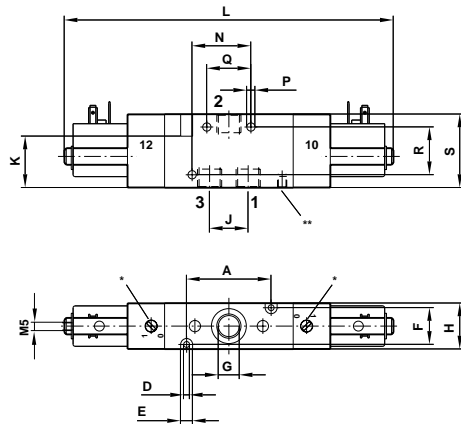
1



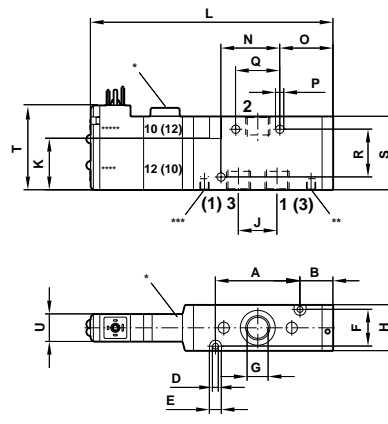
2



3



4



* Manual override
 ** External pilot supply 10-32
 *** Collected pilot exhaust 10-32
 **** Solenoid 1
 ***** Solenoid 2

Dimensional drawing no.	Type	A	B	C	D	E	F	G	H	J	K	L	M	N	O	P	Q	R	S	T	U
1	V60	1.38 (35)	0.67 (17)	-	0.13 (3.2)	0.26 (6.5)	0.67 (17)	1/8	0.87 (22)	0.64 (16.2)	1.10 (28)	-	4.49 (114)	0.98 (25)	0.98 (25)	0.18 (4.5)	0.71 (18)	1.02 (26)	1.38 (35)	-	-
1	V61	1.81 (46)	0.71 (18)	-	0.13 (3.2)	0.26 (6.5)	0.79 (20)	1/4	0.98 (25)	0.83 (21)	1.10 (28)	-	5.12 (130)	1.26 (32)	1.14 (29)	0.18 (4.5)	0.94 (24)	1.02 (26)	1.57 (40)	-	-
1	V62	2.13 (54)	0.83 (21)	-	0.18 (4.5)	0.31 (8)	1.10 (28)	3/8	1.34 (34)	0.96 (24)	1.73 (44)	-	5.71 (145)	0.47 (12)	1.42 (36)	0.18 (4.5)	1.02 (26)	1.42 (36)	2.17 (55)	-	-
2	V60	1.38 (35)	0.67 (17)	-	0.13 (3.2)	0.26 (6.5)	0.67 (17)	1/8	0.87 (22)	0.64 (16)	1.10 (28)	-	4.49 (114)	0.98 (25)	0.98 (25)	0.18 (4.5)	0.71 (18)	1.02 (26)	1.38 (35)	-	-
2	V61	1.81 (46)	0.71 (18)	-	0.13 (3.2)	0.26 (6.5)	0.79 (20)	1/4	0.98 (25)	0.83 (21)	1.10 (28)	-	5.12 (130)	1.26 (32)	1.14 (29)	0.18 (4.5)	0.94 (24)	1.02 (26)	1.57 (40)	-	-
2	V62	2.13 (54)	0.83 (21)	-	0.18 (4.5)	0.31 (8)	1.10 (28)	3/8	1.34 (34)	0.96 (24)	1.73 (44)	-	5.71 (145)	0.47 (12)	1.34 (34)	0.18 (4.5)	1.02 (26)	1.42 (36)	2.17 (55)	-	-
3	V60	1.38 (35)	-	-	0.13 (3.2)	0.26 (6.5)	0.67 (17)	1/8	0.87 (22)	0.64 (16)	1.10 (28)	6.30 (160)	-	0.98 (25)	-	0.18 (4.5)	0.71 (18)	1.02 (26)	1.38 (35)	-	-
3	V61	1.81 (46)	-	-	0.13 (3.2)	0.26 (6.5)	0.79 (20)	1/4	0.98 (25)	0.83 (21)	1.10 (28)	7.05 (179)	-	1.26 (32)	-	0.18 (4.5)	0.94 (24)	1.02 (26)	1.57 (40)	-	-
3	V62	2.13 (54)	-	-	0.18 (4.5)	0.31 (8)	1.10 (28)	3/8	1.34 (34)	0.96 (24)	1.73 (44)	7.64 (194)	-	0.47 (12)	-	0.18 (4.5)	1.02 (26)	1.42 (36)	2.17 (55)	-	-
4	V60	1.38 (35)	0.67 (17)	-	0.13 (3.2)	0.26 (6.5)	0.67 (17)	1/8	0.87 (22)	0.64 (16)	1.10 (28)	4.69 (119)	-	0.98 (25)	0.98 (25)	0.18 (4.5)	0.71 (18)	1.02 (26)	1.38 (35)	1.81 (46)	0.59 (15)
4	V61	1.81 (46)	0.71 (18)	-	0.13 (3.2)	0.26 (6.5)	0.79 (20)	1/4	0.98 (25)	0.83 (21)	1.10 (28)	5.24 (133)	-	1.26 (32)	1.14 (29)	0.18 (4.5)	0.94 (24)	1.02 (26)	1.57 (40)	1.81 (46)	0.59 (15)
4	V62	2.13 (54)	0.83 (21)	-	0.18 (4.5)	0.31 (8)	1.10 (28)	3/8	1.34 (34)	0.96 (24)	1.73 (44)	5.79 (147)	-	0.47 (12)	1.42 (36)	0.18 (4.5)	1.02 (26)	1.42 (36)	2.17 (55)	2.13 (54)	0.59 (15)



2 x 3/2 Solenoid Pilot Valves

Symbol	Model	Port size	Pilot supply	Pilot exhaust	Solenoid variant	Flow Cv (l/min)	Operating pressure (bar)	Pilot pressure (bar)	lbs (kg)	Dimensional drawing no.
	V60PA11A-Ax****	1/8	Internal	Not collected	Primary	0.50 (500)	29 to 116 (2-8)	-	0.75 (0.34)	7
	V60PA11D-Cx13AA	1/8	Internal	Collected	Secondary	0.50 (500)	29 to 145 (2-10)	-	0.53 (0.24)	8
	V61RA11A-Ax****	1/4	Internal	Not collected	Primary	0.95 (950)	29 to 116 (2-8)	-	0.95 (0.43)	7
	V61RA11D-Cx13AA	1/4	Internal	Collected	Secondary	0.95 (950)	29 to 145 (2-10)	-	0.73 (0.33)	8
	V62SA11A-Ax****	3/8	Internal	Not collected	Primary	1.90 (1900)	29 to 116 (2-8)	-	0.73 (0.33)	7
	V62SA11D-Cx13AA	3/8	Internal	Collected	Secondary	1.90 (1900)	29 to 145 (2-10)	-	1.39 (0.63)	8
	V60PB11A-Ax****	1/8	Internal	Not collected	Primary	0.50 (500)	29 to 116 (2-8)	-	0.75 (0.34)	7
	V60PB11D-Cx13AA	1/8	Internal	Collected	Secondary	0.50 (500)	29 to 145 (2-10)	-	0.53 (0.24)	8
	V61RB11A-Ax****	1/4	Internal	Not collected	Primary	0.95 (950)	29 to 116 (2-8)	-	0.95 (0.43)	7
	V61RB11D-Cx13AA	1/4	Internal	Collected	Secondary	0.95 (950)	29 to 145 (2-10)	-	0.73 (0.33)	8
	V62SB11A-Ax****	3/8	Internal	Not collected	Primary	1.90 (1900)	29 to 116 (2-8)	-	1.61 (0.73)	7
	V62SB11D-Cx13AA	3/8	Internal	Collected	Secondary	1.90 (1900)	29 to 145 (2-10)	-	1.39 (0.63)	8
	V60PC11A-Ax****	1/8	Internal	Not collected	Primary	0.50 (500)	29 to 116 (2-8)	-	0.75 (0.34)	7
	V60PC11D-Cx13AA	1/8	Internal	Collected	Secondary	0.50 (500)	29 to 145 (2-10)	-	0.53 (0.24)	8
	V61RC11A-Ax****	1/4	Internal	Not collected	Primary	0.95 (950)	29 to 116 (2-8)	-	0.95 (0.43)	7
	V61RC11D-Cx13AA	1/4	Internal	Collected	Secondary	0.95 (950)	29 to 145 (2-10)	-	0.73 (0.33)	8
	V62SC11A-Ax****	3/8	Internal	Not collected	Primary	1.90 (1900)	29 to 116 (2-8)	-	1.61 (0.73)	7
	V62SC11D-Cx13AA	3/8	Internal	Collected	Secondary	1.90 (1900)	29 to 145 (2-10)	-	1.39 (0.63)	8

**** Insert coil connector code from tables below.

For manual override options, substitute 'x' as follows: 1 = without manual override
 2 = locking
 3 = non-locking

NC/NC = Both valves normally closed
 NO/NO = Both valves normally open
 NO/NC = 1 valve normally open, 1 valve normally closed

Coil & voltage codes

Primary (22 mm coil industrial standard)

Voltage	Coil code	Power inrush/hold	Model
12 V d.c.	12J	2 W	54469-01
24 V d.c.	13J	2 W	54469-02
24 V 50/60 Hz	14J	4/2.5 VA	54469-04
48 V 50/60 Hz	16J	4/2.5 VA	54469-07
110/120 V 50/60 Hz	18J	4/2.5 VA	54469-03
220/240 V 50/60 Hz	19J	6/5 VA	54469-08

Secondary

Double solenoid DIN EN 175 301-803 (DIN 43650 type C) 4 pin

Voltage	Coil code	Power inrush/hold
24 V d.c.	13 A	2 W

Electrical details

Voltage tolerance:	±10%
Rating:	100% E.D.
Protection class:	IP 65 with sealed plugs (ISO 6952)

Connectors

3-Pin Industrial Standard 22mm

A = no connector	
B = Cable grip 0-240Vac/Vdc	54934-01
C = 6 ft molded cable, 0-240Vac/Vdc	54934-21
H = Cable grip w/indicator light 24Vdc	54934-08
J = Cable grip w/indicator light 120Vac	54934-02
Z = 1/2" Conduit 0-240Vac/Vdc	54934-05
5 = 6 ft molded cable w/indicator light, surge suppression, 24Vac/Vdc	54934-30
6 = 6 ft molded cable w/indicator light, 120Vac	54934-35

4-Pin Connector

A = no connector	
Y = 4-pin cable grip 0-240Vac/Vdc	0588666
X = 4-pin 10' molded cable 0-240Vac/Vdc	0102144

Plug configuration, valve side/twin pilot

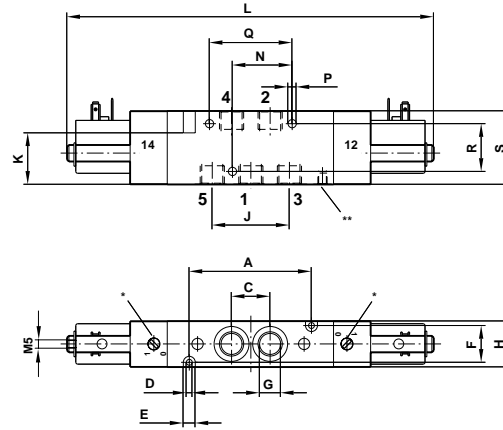
Symbol	Plug no.	Function	Actuation
	1	(+)	12 (Solenoid 2)
	2	(-)	12 + 14
	3	(+)	14 (Solenoid 1)



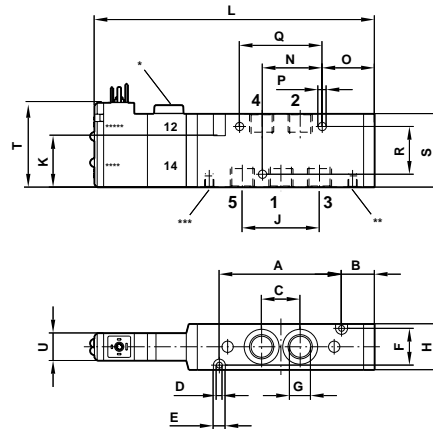
V60 Series

All Dimensions in Inches (mm)

7



8



- * Manual override
- ** External pilot supply 10-32
- *** Collected pilot exhaust 10-32
- **** Solenoid 1
- ***** Solenoid 2

Dimensional drawing no.	Type	A	B	C	D	E	F	G	H	J	K	L	M	N	O	P	Q	R	S	T	U
7	V60	1.97 (50)	-	0.64 (16.2)	0.13 (3.2)	0.26 (6.5)	0.67 (17)	1/8	0.87 (22)	1.28 (32.4)	1.10 (28)	6.89 (175)	-	0.98 (25)	-	0.18 (4.5)	1.32 (33.6)	1.02 (26)	1.38 (35)	-	-
7	V61	2.60 (66)	-	0.83 (21)	0.13 (3.2)	0.26 (6.5)	0.79 (20)	1/4	0.98 (25)	1.65 (42)	1.10 (28)	7.83 (199)	-	1.26 (32)	-	0.18 (4.5)	1.73 (44)	1.02 (26)	1.57 (40)	-	-
7	V62	3.07 (78)	-	0.96 (24.4)	0.18 (4.5)	0.31 (8)	1.10 (28)	3/8	1.34 (34)	1.92 (48.8)	1.73 (44)	8.58 (218)	-	0.47 (12)	-	0.18 (4.5)	1.02 (26)	1.42 (36)	2.17 (55)	-	-
8	V60	1.97 (50)	0.67 (17)	0.64 (16.2)	0.13 (3.2)	0.26 (6.5)	0.67 (17)	1/8	0.87 (22)	1.28 (32.4)	1.10 (28)	5.28 (134)	-	0.98 (25)	0.98 (25)	0.18 (4.5)	1.32 (33.6)	1.02 (26)	1.38 (35)	1.81 (46)	0.59 (15)
8	V61	2.60 (66)	0.71 (18)	0.83 (21)	0.13 (3.2)	0.26 (6.5)	0.79 (20)	1/4	0.98 (25)	1.65 (42)	1.10 (28)	6.02 (153)	-	1.26 (32)	1.14 (29)	0.18 (4.5)	1.73 (44)	1.02 (26)	1.57 (40)	1.81 (46)	0.59 (15)
8	V62	3.07 (78)	0.87 (22)	0.96 (24.4)	0.18 (4.5)	0.31 (8)	1.10 (28)	3/8	1.34 (34)	1.92 (48.8)	1.73 (44)	6.77 (172)	-	0.47 (12)	2.40 (61)	0.18 (4.5)	1.02 (26)	1.42 (36)	2.17 (55)	2.13 (54)	0.59 (15)



5/2 Solenoid Pilot Valves

Symbol	Model	Port size	Pilot supply	Pilot exhaust	Solenoid variant	Flow Cv (l/min)	Operating pressure (bar)	Pilot pressure (bar)	lbs (kg)	Dimensional drawing no.
	V60P517A-Ax****	1/8	Internal	Not collected	Primary	0.75 (750)	29 to 116 (2 to 8)	–	0.53 (0.24)	9
	V60P527A-Ax****	1/8	External	Not collected	Primary	0.75 (750)	26" Hg to 116 (-0.9 to 8)	44 to 116 (3 to 8)	0.53 (0.24)	9
	V60P517D-Cx13AA	1/8	Internal	Collected	Secondary	0.75 (750)	29 to 145 (2 to 10)	–	0.51 (0.23)	11
	V60P5223-Cx13AA	1/8	External	Collected	Secondary	0.75 (750)	26" Hg to 145 (-0.9 to 10)	44 to 145 (3 to 10)	0.51 (0.23)	11
	V61R517A-Ax****	1/4	Internal	Not collected	Primary	1.30 (1300)	29 to 116 (2 to 8)	–	0.73 (0.33)	9
	V61R527A-Ax****	1/4	External	Not collected	Primary	1.30 (1300)	26" Hg to 116 (-0.9 to 8)	44 to 116 (3 to 8)	0.73 (0.33)	9
	V61R517D-Cx13AA	1/4	Internal	Collected	Secondary	1.30 (1300)	29 to 145 (2 to 10)	–	0.71 (0.32)	11
	V62S517A-Ax****	3/8	Internal	Not collected	Primary	2.60 (2600)	29 to 116 (2 to 8)	–	1.36 (0.62)	9
	V62S527A-Ax****	3/8	External	Not collected	Primary	2.60 (2600)	26" Hg to 116 (-0.9 to 8)	44 to 116 (3 to 8)	1.36 (0.62)	9
	V62S517D-Cx13AA	3/8	Internal	Collected	Secondary	2.60 (2600)	29 to 145 (2 to 10)	–	1.34 (0.61)	11
	V62S527D-Cx13AA	3/8	External	Collected	Secondary	2.60 (2600)	26" Hg to 145 (-0.9 to 10)	44 to 145 (3 to 10)	1.34 (0.61)	11
	V60P511A-Ax****	1/8	Internal	Not collected	Primary	0.75 (750)	29 to 116 (2 to 8)	–	0.73 (0.33)	10
	V60P522A-Ax****	1/8	External	Not collected	Primary	0.75 (750)	26" Hg to 116 (-0.9 to 8)	44 to 116 (3 to 8)	0.51 (0.23)	11
	V60P522D-Cx13AA	1/8	External	Collected	Secondary	0.75 (750)	26" Hg to 145 (-0.9 to 10)	44 to 145 (3 to 10)	0.51 (0.23)	11
	V61R511A-Ax****	1/4	Internal	Not collected	Primary	1.30 (1300)	29 to 116 (2 to 8)	–	0.93 (0.42)	10
	V61R522A-Ax****	1/4	External	Not collected	Primary	1.30 (1300)	26" Hg to 116 (-0.9 to 8)	44 to 116 (3 to 8)	0.93 (0.42)	10
	V61R511D-Cx13AA	1/4	Internal	Collected	Secondary	1.30 (1300)	29 to 145 (2 to 10)	–	0.71 (0.32)	11
	V61R522D-Cx13AA	1/4	External	Collected	Secondary	1.30 (1300)	26" Hg to 145 (-0.9 to 10)	44 to 145 (3 to 10)	0.71 (0.32)	11
	V62S511A-Ax****	3/8	Internal	Not collected	Primary	2.60 (2600)	29 to 116 (2 to 8)	–	1.59 (0.72)	10
	V62S522A-Ax****	3/8	External	Not collected	Primary	2.60 (2600)	26" Hg to 116 (-0.9 to 8)	44 to 116 (3 to 8)	1.59 (0.72)	10
V62S511D-Cx13AA	3/8	Internal	Collected	Secondary	2.60 (2600)	29 to 145 (2 to 10)	–	1.36 (0.62)	11	
V62S522D-Cx13AA	3/8	External	Collected	Secondary	2.60 (2600)	26" Hg to 145 (-0.9 to 10)	44 to 145 (3 to 10)	1.36 (0.62)	11	

**** Insert coil connector code from tables below.

For manual override options, substitute 'x' as follows: 1 = without manual override
2 = locking
3 = non-locking

Coil & voltage codes

Primary (22 mm coil industrial standard)

Voltage	Coil code	Power inrush/hold	Model
12 V d.c.	12J	2 W	54469-01
24 V d.c.	13J	2 W	54469-02
24 V 50/60 Hz	14J	4/2.5 VA	54469-04
48 V 50/60 Hz	16J	4/2.5 VA	54469-07
110/120 V 50/60 Hz	18J	4/2.5 VA	54469-03
220/240 V 50/60 Hz	19J	6/5 VA	54469-08

Secondary

Double solenoid DIN EN 175 301-803 (DIN 43650 type C) 4 pin

Voltage	Coil code	Power inrush/hold
24 V d.c.	13 A	2 W

Electrical details

Voltage tolerance:	±10%
Rating:	100% E.D.
Protection class:	IP 65 with sealed plugs (ISO 6952)

Connectors

3-Pin Industrial Standard 22mm

A = no connector	
B = Cable grip 0-240Vac/Vdc	54934-01
C = 6 ft molded cable, 0-240Vac/Vdc	54934-21
H = Cable grip w/indicator light 24Vdc	54934-08
J = Cable grip w/indicator light 120Vdc	54934-02
Z = 1/2" Conduit 0-240Vac/Vdc	54934-05
5 = 6 ft molded cable w/indicator light, surge suppression, 24Vac/Vdc	54934-30
6 = 6 ft molded cable w/indicator light, 120Vac	54934-35

4-Pin Connector

A = no connector	
Y = 4-pin cable grip 0-240Vac/Vdc	0588666
X = 4-pin 10' molded cable 0-240Vac/Vdc	0102144

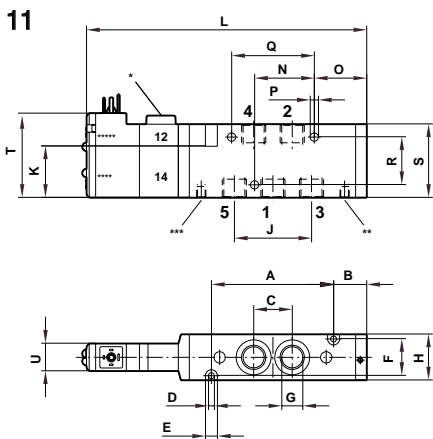
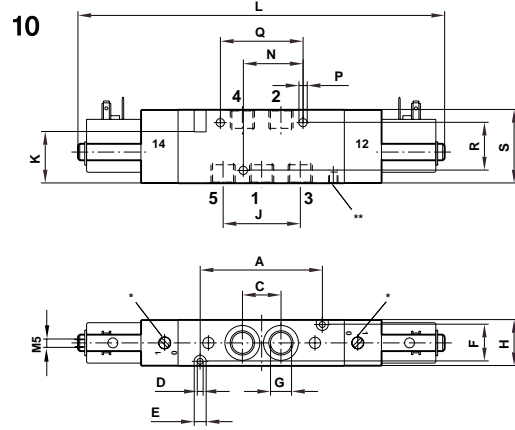
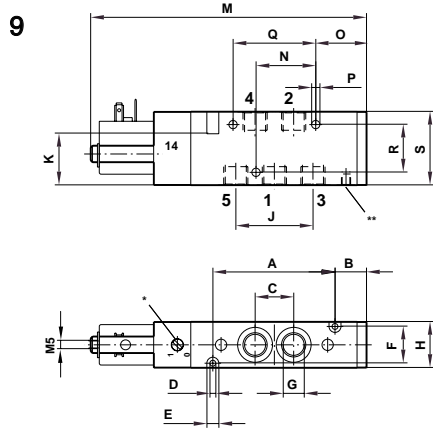
Plug configuration, valve side/twin pilot

Symbol	Plug no.	Function	Actuation
	1	(+)	12 (Solenoid 2)
	2	(-)	12 + 14
	3	(+)	14 (Solenoid 1)



V60 Series

All Dimensions in Inches (mm)

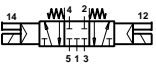

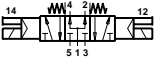


- * Manual override
- ** External pilot supply 10-32
- *** Collected pilot exhaust 10-32
- **** Solenoid 1
- ***** Solenoid 2

Dimensional drawing no.	Type	A	B	C	D	E	F	G	H	J	K	L	M	N	O	P	Q	R	S	T	U
9	V60	1.97 (50)	0.67 (17)	0.64 (16.2)	0.13 (3.2)	0.26 (6.5)	0.67 (17)	1/8	0.87 (22)	1.28 (32.4)	1.10 (28)	-	5.08 (129)	0.98 (25)	0.98 (25)	0.18 (4.5)	1.32 (33.6)	1.02 (26)	1.38 (35)	-	-
9	V6	2.60 (66)	0.71 (18)	0.83 (21)	0.13 (3.2)	0.26 (6.5)	0.79 (20)	1/4	0.98 (25)	1.65 (42)	1.10 (28)	-	5.91 (150)	1.26 (32)	1.14 (29)	0.18 (4.5)	1.73 (44)	1.02 (26)	1.57 (40)	-	-
9	V62	3.07 (78)	0.83 (21)	0.96 (24.4)	0.18 (4.5)	0.31 (8)	1.10 (28)	3/8	1.34 (34)	1.92 (48.8)	1.73 (44)	-	6.69 (170)	0.47 (12)	2.36 (60)	0.18 (4.5)	1.02 (26)	1.42 (36)	2.17 (55)	-	-
10	V60	1.97 (50)	-	0.64 (16.2)	0.13 (3.2)	0.26 (6.5)	0.67 (17)	1/8	0.87 (22)	1.28 (32.4)	1.10 (28)	6.89 (175)	-	0.98 (25)	-	0.18 (4.5)	1.32 (33.6)	1.02 (26)	1.38 (35)	-	-
10	V61	2.60 (66)	-	0.83 (21)	0.13 (3.2)	0.26 (6.5)	0.79 (20)	1/4	0.98 (25)	1.65 (42)	1.10 (28)	7.83 (199)	-	1.26 (32)	-	0.18 (4.5)	1.73 (44)	1.02 (26)	1.57 (40)	-	-
10	V62	3.07 (78)	-	0.96 (24.4)	0.18 (4.5)	0.31 (8)	1.10 (28)	3/8	1.34 (34)	1.92 (48.8)	1.73 (44)	8.58 (218)	-	0.47 (12)	-	0.18 (4.5)	1.02 (26)	1.42 (36)	2.17 (55)	-	-
11	V60	1.97 (50)	0.67 (17)	0.64 (16.2)	0.13 (3.2)	0.26 (6.5)	0.67 (17)	1/8	0.87 (22)	1.28 (32.4)	1.10 (28)	5.28 (134)	-	0.98 (25)	0.98 (25)	0.18 (4.5)	1.32 (33.6)	1.02 (26)	1.38 (35)	1.81 (46)	0.59 (15)
11	V61	2.60 (66)	0.71 (18)	0.83 (21)	0.13 (3.2)	0.26 (6.5)	0.79 (20)	1/4	0.98 (25)	1.65 (42)	1.10 (28)	6.02 (153)	-	1.26 (32)	1.14 (29)	0.18 (4.5)	1.73 (44)	1.02 (26)	1.57 (40)	1.81 (46)	0.59 (15)
11	V62	3.07 (78)	0.87 (22)	0.96 (24.4)	0.18 (4.5)	0.31 (8)	1.10 (28)	3/8	1.34 (34)	1.92 (48.8)	1.73 (44)	6.77 (172)	-	0.47 (12)	2.40 (61)	0.18 (4.5)	1.02 (26)	1.42 (36)	2.17 (55)	2.13 (54)	0.59 (15)



5/3 Solenoid Pilot Valves

Symbol	Model	Port size	Pilot supply	Pilot exhaust	Solenoid variant	Flow Cv (l/min)	Operating pressure (bar)	Pilot pressure (bar)	lbs (kg)	Dimensional drawing no.
 APB	V60P611A-Ax****	1/8	Internal	Not collected	Primary	0.50 (500)	44 to 116 (3 to 8)	–	0.77 (0.35)	14
	V60P622A-Ax****	1/8	External	Not collected	Primary	0.50 (500)	26" Hg to 116 (-0.9 to 8)	44 to 116 (3 to 8)	0.77 (0.35)	14
	V60P611D-Cx13AA	1/8	Internal	Collected	Secondary	0.50 (500)	44 to 145 (3 to 10)	–	0.55 (0.25)	15
	V60P622D-Cx13AA	1/8	External	Collected	Secondary	0.50 (500)	26" Hg to 145 (-0.9 to 10)	44 to 145 (3 to 10)	0.55 (0.25)	15
	V61R611A-Ax****	1/4	Internal	Not collected	Primary	0.95 (950)	44 to 116 (3 to 8)	–	1.04 (0.47)	14
	V61R622A-Ax****	1/4	External	Not collected	Primary	0.95 (950)	26" Hg to 116 (-0.9 to 8)	44 to 116 (3 to 8)	1.04 (0.47)	14
	V61R611D-Cx13AA	1/4	Internal	Collected	Secondary	0.95 (950)	44 to 145 (3 to 10)	–	0.82 (0.37)	15
	V61R622D-Cx13AA	1/4	External	Collected	Secondary	0.95 (950)	26" Hg to 145 (-0.9 to 10)	44 to 145 (3 to 10)	0.82 (0.37)	15
	V62S611A-Ax****	3/8	Internal	Not collected	Primary	1.90 (1900)	44 to 116 (3 to 8)	–	1.79 (0.81)	14
	V62S622A-Ax****	3/8	External	Not collected	Primary	1.90 (1900)	26" Hg to 116 (-0.9 to 8)	44 to 116 (3 to 8)	1.79 (0.81)	14
 COE	V60P711A-Ax****	1/8	Internal	Not collected	Primary	0.50 (500)	44 to 116 (3 to 8)	–	0.77 (0.35)	14
	V60P722A-Ax****	1/8	External	Not collected	Primary	0.50 (500)	26" Hg to 116 (-0.9 to 8)	44 to 116 (3 to 8)	0.77 (0.35)	14
	V60P711D-Cx13AA	1/8	Internal	Collected	Secondary	0.50 (500)	44 to 145 (3 to 10)	–	0.55 (0.25)	15
	V60P722D-Cx13AA	1/8	External	Collected	Secondary	0.50 (500)	26" Hg to 145 (-0.9 to 10)	44 to 145 (3 to 10)	0.55 (0.25)	15
	V61R711A-Ax****	1/4	Internal	Not collected	Primary	0.95 (950)	44 to 116 (3 to 8)	–	1.04 (0.47)	14
	V61R722A-Ax****	1/4	External	Not collected	Primary	0.95 (950)	26" Hg to 116 (-0.9 to 8)	44 to 116 (3 to 8)	1.04 (0.47)	14
	V61R711D-Cx13AA	1/4	Internal	Collected	Secondary	0.95 (950)	44 to 145 (3 to 10)	–	0.82 (0.37)	15
	V61R722D-Cx13AA	1/4	External	Collected	Secondary	0.95 (950)	26" Hg to 145 (-0.9 to 10)	44 to 145 (3 to 10)	0.82 (0.37)	15
	V62S711A-Ax****	3/8	Internal	Not collected	Primary	1.90 (1900)	44 to 116 (3 to 8)	–	1.79 (0.81)	14
	V62S722A-Ax****	3/8	External	Not collected	Primary	1.90 (1900)	26" Hg to 116 (-0.9 to 8)	44 to 116 (3 to 8)	1.79 (0.81)	14
 COP	V60P811A-Ax****	1/8	Internal	Not collected	Primary	0.50 (500)	44 to 116 (3 to 8)	–	0.77 (0.35)	14
	V60P822A-Ax****	1/8	External	Not collected	Primary	0.50 (500)	26" Hg to 116 (-0.9 to 8)	44 to 116 (3 to 8)	0.77 (0.35)	14
	V60P811D-Cx13AA	1/8	Internal	Collected	Secondary	0.50 (500)	44 to 145 (3 to 10)	–	0.55 (0.25)	15
	V60P822D-Cx13AA	1/8	External	Collected	Secondary	0.50 (500)	26" Hg to 145 (-0.9 to 10)	44 to 145 (3 to 10)	0.55 (0.25)	15
	V61R811A-Ax****	1/4	Internal	Not collected	Primary	0.95 (950)	44 to 116 (3 to 8)	–	1.04 (0.47)	14
	V61R822A-Ax****	1/4	External	Not collected	Primary	0.95 (950)	26" Hg to 116 (-0.9 to 8)	44 to 116 (3 to 8)	1.04 (0.47)	14
	V61R811D-Cx13AA	1/4	Internal	Collected	Secondary	0.95 (950)	44 to 145 (3 to 10)	–	0.82 (0.37)	15
	V61R822D-Cx13AA	1/4	External	Collected	Secondary	0.95 (950)	26" Hg to 145 (-0.9 to 10)	44 to 145 (3 to 10)	0.82 (0.37)	15
	V62S811A-Ax****	3/8	Internal	Not collected	Primary	1.90 (1900)	44 to 116 (3 to 8)	–	1.79 (0.81)	14
	V62S822A-Ax****	3/8	External	Not collected	Primary	1.90 (1900)	26" Hg to 116 (-0.9 to 8)	44 to 116 (3 to 8)	1.79 (0.81)	14
V62S811D-Cx13AA	3/8	Internal	Collected	Secondary	1.90 (1900)	44 to 145 (3 to 10)	–	1.57 (0.71)	15	
V62S822D-Cx13AA	3/8	External	Collected	Secondary	1.90 (1900)	26" Hg to 145 (-0.9 to 10)	44 to 145 (3 to 10)	1.57 (0.71)	15	

**** Insert coil connector code from tables below.

For manual override options, substitute 'x' as follows: 1 = without manual override
 2 = locking
 3 = non-locking

APB = All ports blocked
 COE = Center open exhaust
 COP = Center open pressure

Coil & voltage codes

Primary (22 mm coil industrial standard)

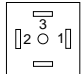
Voltage	Coil code	Power inrush/hold	Model
12 V d.c.	12J	2 W	54469-01
24 V d.c.	13J	2 W	54469-02
24 V 50/60 Hz	14J	4/2,5 VA	54469-04
48 V 50/60 Hz	16J	4/2,5 VA	54469-07
110/120 V 50/60 Hz	18J	4/2,5 VA	54469-03
220/240 V 50/60 Hz	19J	6/5 VA	54469-08

Secondary

Double solenoid DIN EN 175 301-803 (DIN 43650 type C) 4 pin

Voltage	Coil code	Power inrush/hold
24 V d.c.	13 A	2 W

Plug configuration, valve side/twin pilot

Symbol	Plug no.	Function	Actuation
	1	(+)	12 (Solenoid 2)
	2	(-)	12 + 14
	3	(+)	14 (Solenoid 1)

Connectors

3-Pin Industrial Standard 22mm

A = no connector	
B = Cable grip 0-240Vac/Vdc	54934-01
C = 6 ft molded cable, 0-240Vac/Vdc	54934-21
H = Cable grip w/indicator light 24Vdc	54934-08
J = Cable grip w/indicator light 120Vac	54934-02
Z = 1/2" Conduit 0-240Vac/Vdc	54934-05
5 = 6 ft molded cable w/indicator light, surge suppression, 24Vac/Vdc	54934-30
6 = 6 ft molded cable w/indicator light, 120Vac	54934-35

4-Pin Connector

A = no connector	
Y = 4-pin cable grip 0-240Vac/Vdc	0588666
X = 4-pin 10' molded cable 0-240Vac/Vdc	0102144

Electrical details

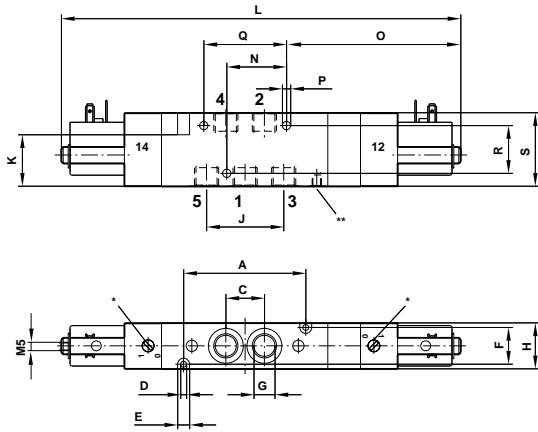
Voltage tolerance: ±10%
Rating: 100% E.D.
Protection class: IP 65 with sealed plugs (ISO 6952)



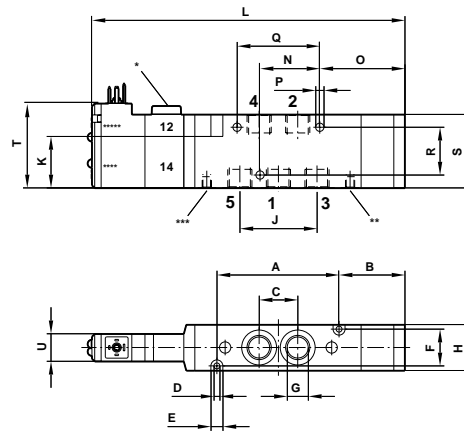
V60 Series

All Dimensions in Inches (mm)

14



15



- * Manual override
- ** External pilot supply 10-32
- *** Collected pilot exhaust 10-32
- **** Solenoid 1
- ***** Solenoid 2

Dimensional drawing no.	Type	A	B	C	D	E	F	G	H	J	K	L	M	N	O	P	Q	R	S	T	U
14	V60	1.97 (50)	—	0.64 (16.2)	0.13 (3.2)	0.26 (6.5)	0.67 (17)	1/8	0.87 (22)	1.28 (32.4)	1.10 (28)	7.44 (189)	—	0.98 (25)	3.33 (84.5)	0.18 (4.5)	1.32 (33.6)	1.02 (26)	1.38 (35)	—	—
14	V61	2.60 (66)	—	0.83 (21)	0.13 (3.2)	0.26 (6.5)	0.79 (20)	1/4	0.98 (25)	1.65 (42)	1.10 (28)	8.54 (217)	—	1.26 (32)	—	0.18 (4.5)	1.73 (44)	1.02 (26)	1.57 (40)	—	—
14	V62	3.07 (78)	—	0.96 (24.4)	0.18 (4.5)	0.31 (8)	1.10 (28)	3/8	1.34 (34)	1.92 (48.8)	1.73 (44)	9.49 (241)	—	0.47 (12)	5.20 (132)	0.18 (4.5)	1.02 (26)	1.42 (36)	2.17 (55)	—	—
15	V60	1.97 (50)	1.22 (31)	0.64 (16.2)	0.13 (3.2)	0.26 (6.5)	0.67 (17)	1/8	0.87 (22)	1.28 (32.4)	1.10 (28)	5.83 (148)	—	0.98 (25)	1.54 (39)	0.18 (4.5)	1.32 (33.6)	1.02 (26)	1.38 (35)	1.81 (46)	0.59 (15)
15	V61	2.60 (66)	1.42 (36)	0.83 (21)	0.13 (3.2)	0.26 (6.5)	0.79 (20)	1/4	0.98 (25)	1.65 (42)	1.10 (28)	6.73 (171)	—	1.26 (32)	1.85 (47)	0.18 (4.5)	1.73 (44)	1.02 (26)	1.57 (40)	1.81 (46)	0.59 (15)
15	V62	3.07 (78)	1.75 (44.5)	0.96 (24.4)	0.18 (4.5)	0.31 (8)	1.10 (28)	3/8	1.34 (34)	1.92 (48.8)	1.73 (44)	7.68 (195)	—	0.47 (12)	3.31 (84)	0.18 (4.5)	1.02 (26)	1.42 (36)	2.17 (55)	2.13 (54)	0.59 (15)



3/2 Air Pilot Valves

Symbol	Model	Port size	Operator 12	Operator 10	Flow Cv (l/min)	Operating pressure psi (bar)	Pilot pressure psi (bar)	lbs (kg)	Dimensional drawing no.
	V60P4D7A-X5090	1/8	Air	Spring	0.75 (750)	26" Hg to 145 (-0.9 to 10)	36 to 145 (2.5 to 10)	0.29 (0.13)	16
	V61R4D7A-X5090	1/4	Air	Spring	1.30 (1300)	26" Hg to 145 (-0.9 to 10)	36 to 145 (2.5 to 10)	0.46 (0.21)	16
	V62S4D7A-X5090	3/8	Air	Spring	2.60 (2600)	26" Hg to 145 (-0.9 to 10)	36 to 145 (2.5 to 10)	0.95 (0.43)	16
	V60P3D7A-X5090	1/8	Spring	Air	0.75 (750)	26" Hg to 145 (-0.9 to 10)	36 to 145 (2.5 to 10)	0.29 (0.13)	17
	V61R3D7A-X5090	1/4	Spring	Air	1.30 (1300)	26" Hg to 145 (-0.9 to 10)	36 to 145 (2.5 to 10)	0.46 (0.21)	17
	V62S3D7A-X5090	3/8	Spring	Air	2.60 (2600)	26" Hg to 145 (-0.9 to 10)	36 to 145 (2.5 to 10)	0.95 (0.43)	17
	V60P4DDA-X5020	1/8	Air	Air	0.75 (750)	26" Hg to 145 (-0.9 to 10)	22 to 145 (1.5 to 10)	0.29 (0.13)	18
	V61R4DDA-X5020	1/4	Air	Air	1.30 (1300)	26" Hg to 145 (-0.9 to 10)	22 to 145 (1.5 to 10)	0.46 (0.21)	18
	V62S4DDA-X5020	3/8	Air	Air	2.60 (2600)	26" Hg to 145 (-0.9 to 10)	22 to 145 (1.5 to 10)	0.95 (0.43)	18

NC = Normally closed, NO = Normally open

2 x 3/2 Air Pilot Valves

Symbol	Model	Port size	Operator 14	Operator 12	Flow Cv (l/min)	Operating pressure psi (bar)	Pilot pressure psi (bar)	lbs (kg)	Dimensional drawing no.
	V60PADDA-X5020	1/8	Air	Air	0.50 (500)	29 to 145 (2 to 10)	29 to 145 (2 to 10)	0.40 (0.18)	19
	V61RADDA-X5020	1/4	Air	Air	0.95 (950)	29 to 145 (2 to 10)	29 to 145 (2 to 10)	0.67 (0.28)	19
	V62SADDA-X5020	3/8	Air	Air	1.90 (1900)	29 to 145 (2 to 10)	29 to 145 (2 to 10)	1.32 (0.60)	19
	V60PBDDA-X5020	1/8	Air	Air	0.50 (500)	29 to 145 (2 to 10)	29 to 145 (2 to 10)	0.40 (0.18)	19
	V61RBDDA-X5020	1/4	Air	Air	0.95 (950)	29 to 145 (2 to 10)	29 to 145 (2 to 10)	0.67 (0.28)	19
	V62SBDDA-X5020	3/8	Air	Air	1.90 (1900)	29 to 145 (2 to 10)	29 to 145 (2 to 10)	1.32 (0.60)	19
	V60PCDDA-X5020	1/8	Air	Air	0.50 (500)	29 to 145 (2 to 10)	29 to 145 (2 to 10)	0.40 (0.18)	19
	V61RCDDA-X5020	1/4	Air	Air	0.95 (950)	29 to 145 (2 to 10)	29 to 145 (2 to 10)	0.67 (0.28)	19
	V62SCDDA-X5020	3/8	Air	Air	1.90 (1900)	29 to 145 (2 to 10)	29 to 145 (2 to 10)	1.32 (0.60)	19

NC/NC = Both valves normally closed

NO/NO = Both valves normally open

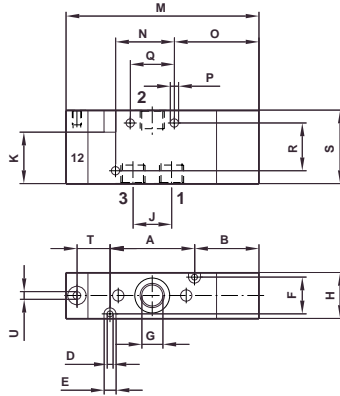
NO/NC = 1 valve normally open, 1 valve normally closed



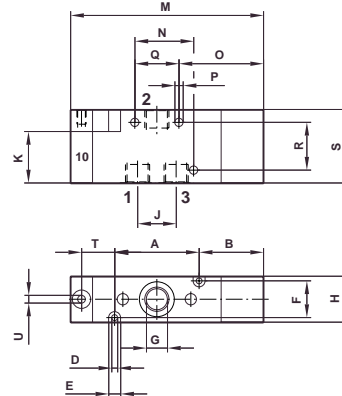
V60 Series

All Dimensions in Inches (mm)

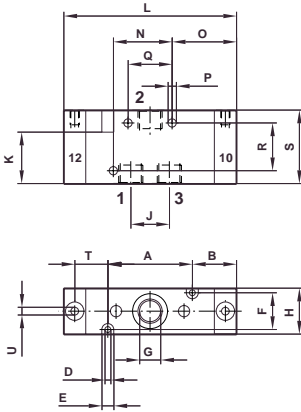
16



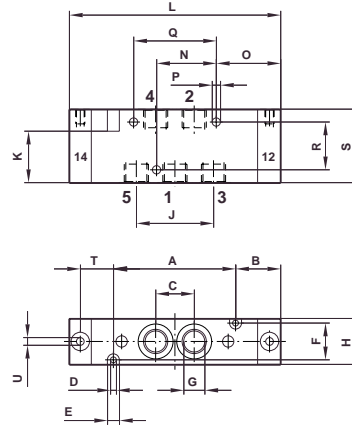
17



18



19



Dimensional drawing no.	Type	A	B	C	D	E	F	G	H	J	K	L	M	N	O	P	Q	R	S	T	U
16	V60	1.38 (35)	1.14 (29)	-	0.13 (3.2)	0.26 (6.5)	0.67 (17)	1/8	0.87 (22)	0.64 (16.2)	1.10 (28)	-	3.39 (86)	0.98 (25)	1.46 (37)	0.18 (4.5)	0.71 (18)	1.02 (26)	1.38 (35)	0.67 (17)	1/8" NPT
16	V61	1.81 (46)	1.38 (35)	-	0.13 (3.2)	0.26 (6.5)	0.79 (20)	1/4	0.98 (25)	0.83 (21)	1.10 (28)	-	4.13 (105)	1.26 (32)	1.81 (46)	0.18 (4.5)	0.94 (24)	1.02 (26)	1.57 (40)	0.71 (18)	1/8" NPT
16	V62	2.13 (54)	1.69 (43)	-	0.18 (4.5)	0.31 (8)	1.10 (28)	3/8	1.34 (34)	0.96 (24.4)	1.73 (44)	-	4.88 (124)	0.47 (12)	2.28 (58)	0.18 (4.5)	1.02 (26)	1.42 (36)	2.17 (55)	0.83 (21)	1/8" NPT
17	V60	1.38 (35)	1.14 (29)	-	0.13 (3.2)	0.26 (6.5)	0.67 (17)	1/8	0.87 (22)	0.64 (16.2)	1.10 (28)	-	3.39 (86)	0.98 (25)	1.46 (37)	0.18 (4.5)	0.71 (18)	1.02 (26)	1.38 (35)	0.67 (17)	1/8" NPT
17	V61	1.81 (46)	1.38 (35)	-	0.13 (3.2)	0.26 (6.5)	0.79 (20)	1/4	0.98 (25)	0.83 (21)	1.10 (28)	-	4.13 (105)	1.26 (32)	1.81 (46)	0.18 (4.5)	0.94 (24)	1.02 (26)	1.57 (40)	0.71 (18)	1/8" NPT
17	V62	2.13 (54)	1.69 (43)	-	0.18 (4.5)	0.31 (8)	1.10 (28)	3/8	1.34 (34)	0.96 (24.4)	1.73 (44)	-	4.88 (124)	0.47 (12)	2.20 (56)	0.18 (4.5)	1.02 (26)	1.42 (36)	2.17 (55)	0.83 (21)	1/8" NPT
18	V60	1.38 (35)	0.91 (23)	-	0.13 (3.2)	0.26 (6.5)	0.67 (17)	1/8	0.87 (22)	0.64 (16.2)	1.10 (28)	3.15 (80)	-	0.98 (25)	1.22 (31)	0.18 (4.5)	0.71 (18)	1.02 (26)	1.38 (35)	0.67 (17)	1/8" NPT
18	V61	1.81 (46)	0.94 (24)	-	0.13 (3.2)	0.26 (6.5)	0.79 (20)	1/4	0.98 (25)	0.83 (21)	1.10 (28)	3.70 (94)	-	1.26 (32)	1.38 (35)	0.18 (4.5)	0.94 (24)	1.02 (26)	1.57 (40)	0.71 (18)	1/8" NPT
18	V62	2.13 (54)	1.06 (27)	-	0.18 (4.5)	0.31 (8)	1.10 (28)	3/8	1.34 (34)	0.96 (24.4)	1.73 (44)	4.25 (108)	-	0.47 (12)	1.65 (42)	0.18 (4.5)	1.02 (26)	1.42 (36)	2.17 (55)	0.83 (21)	1/8" NPT
19	V60	1.97 (50)	0.91 (23)	0.64 (16.2)	0.13 (3.2)	0.26 (6.5)	0.67 (17)	1/8	0.87 (22)	1.28 (32.4)	1.10 (28)	3.74 (95)	-	0.98 (25)	1.22 (31)	0.18 (4.5)	1.32 (33.6)	1.02 (26)	1.38 (35)	0.67 (17)	1/8" NPT
19	V61	2.60 (66)	0.94 (24)	0.83 (21)	0.13 (3.2)	0.26 (6.5)	0.79 (20)	1/4	0.98 (25)	1.65 (42)	1.10 (28)	4.49 (114)	-	1.26 (32)	1.38 (35)	0.18 (4.5)	1.73 (44)	1.02 (26)	1.57 (40)	0.71 (18)	1/8" NPT
19	V62	3.07 (78)	1.06 (27)	0.96 (24.4)	0.18 (4.5)	0.31 (8)	1.10 (28)	3/8	1.34 (34)	1.92 (48.8)	1.73 (44)	5.20 (132)	-	0.47 (12)	2.60 (66)	0.18 (4.5)	1.02 (26)	1.42 (36)	2.17 (55)	0.83 (21)	1/8" NPT



5/2 Air Pilot Valves

Symbol	Model	Port size	Operator 12	Operator 10	Flow Cv (l/min)	Operating pressure psi (bar)	Pilot pressure psi (bar)	lbs (kg)	Dimensional drawing no.
	V60P5D7A-X5090	1/8	Air	Spring	0.75 (750)	26" Hg to 145 (-0.9 to 10)	36 to 145 (2.5 to 10)	0.35 (0.16)	22
	V61R5D7A-X5090	1/4	Air	Spring	1.30 (1300)	26" Hg to 145 (-0.9 to 10)	36 to 145 (2.5 to 10)	0.57 (0.26)	22
	V62S5D7A-X5090	3/8	Air	Spring	2.60 (2600)	26" Hg to 145 (-0.9 to 10)	36 to 145 (2.5 to 10)	1.23 (0.56)	22
	V60P5DDA-X5020	1/8	Air	Air	0.75 (750)	26" Hg to 145 (-0.9 to 10)	36 to 145 (2.5 to 10)	0.37 (0.17)	23
	V61R5DDA-X5020	1/4	Air	Air	1.30 (1300)	26" Hg to 145 (-0.9 to 10)	36 to 145 (2.5 to 10)	0.60 (0.27)	23
	V62S5DDA-X5020	3/8	Air	Air	2.60 (2600)	26" Hg to 145 (-0.9 to 10)	36 to 145 (2.5 to 10)	1.28 (0.58)	23

5/3 Air Pilot Valves

Symbol	Model	Port size	Operator 14	Operator 12	Flow Cv (l/min)	Operating pressure psi (bar)	Pilot pressure psi (bar)	lbs (kg)	Dimensional drawing no.
	V60P6DDA-X5020	1/8	Air	Air	0.50 (500)	26" Hg to 145 (-0.9 to 10)	44 to 145 (3 to 10)	0.44 (0.2)	24
	V61R6DDA-X5020	1/4	Air	Air	0.95 (950)	26" Hg to 145 (-0.9 to 10)	44 to 145 (3 to 10)	0.71 (0.32)	24
	V62S6DDA-X5020	3/8	Air	Air	1.90 (1900)	26" Hg to 145 (-0.9 to 10)	44 to 145 (3 to 10)	1.48 (0.67)	24
	V60P7DDA-X5020	1/8	Air	Air	0.50 (500)	26" Hg to 145 (-0.9 to 10)	44 to 145 (3 to 10)	0.44 (0.2)	24
	V61R7DDA-X5020	1/4	Air	Air	0.95 (950)	26" Hg to 145 (-0.9 to 10)	44 to 145 (3 to 10)	0.71 (0.32)	24
	V62S7DDA-X5020	3/8	Air	Air	1.90 (1900)	26" Hg to 145 (-0.9 to 10)	44 to 145 (3 to 10)	1.48 (0.67)	24
	V60P8DDA-X5020	1/8	Air	Air	0.50 (500)	26" Hg to 145 (-0.9 to 10)	44 to 145 (3 to 10)	0.44 (0.2)	24
	V61R8DDA-X5020	1/4	Air	Air	0.95 (950)	26" Hg to 145 (-0.9 to 10)	44 to 145 (3 to 10)	0.71 (0.32)	24
	V62S8DDA-X5020	3/8	Air	Air	1.90 (1900)	26" Hg to 145 (-0.9 to 10)	44 to 145 (3 to 10)	1.48 (0.67)	24

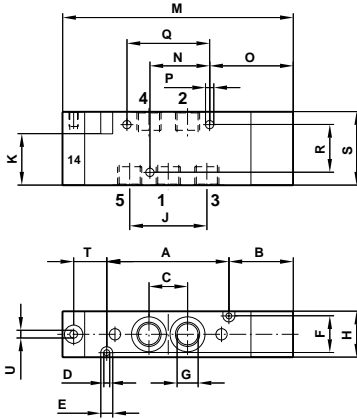
APB = All Ports Blocked,
 COE = Center Open Exhaust
 COP = Center Open Pressure



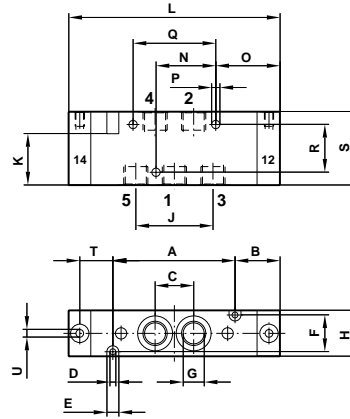
V60 Series

All Dimensions in Inches (mm)

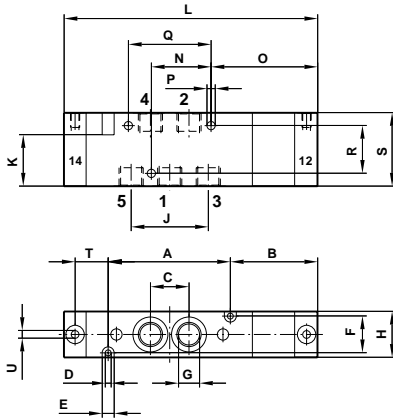
22



23



24



Dimensional drawing no.	Type	A	B	C	D	E	F	G	H	J	K	L	M	N	O	P	Q	R	S	T	U
22	V60	1.97 (50)	1.14 (29)	0.64 (16.2)	0.13 (3.2)	0.26 (6.5)	0.67 (17)	1/8	0.87 (22)	1.28 (32.4)	1.10 (28)	-	3.98 (101)	0.98 (25)	1.46 (37)	0.18 (4.5)	1.73 (44)	1.02 (26)	1.38 (35)	0.67 (17)	1/8" NPT
22	V61	2.60 (66)	1.38 (35)	0.83 (21)	0.13 (3.2)	0.26 (6.5)	0.79 (20)	1/4	0.98 (25)	1.65 (42)	1.10 (28)	-	4.92 (125)	1.26 (32)	1.38 (35)	0.18 (4.5)	1.02 (26)	1.02 (26)	1.57 (40)	0.71 (18)	1/8" NPT
22	V62	3.07 (78)	1.69 (43)	0.96 (24.4)	0.18 (4.5)	0.31 (8)	1.10 (28)	3/8	1.34 (34)	1.92 (48.8)	1.73 (44)	-	5.83 (148)	0.47 (12)	3.23 (82)	0.18 (4.5)	1.32 (33.6)	1.42 (36)	2.17 (55)	0.83 (21)	1/8" NPT
23	V60	1.97 (50)	0.91 (23)	0.64 (16.2)	0.13 (3.2)	0.26 (6.5)	0.67 (17)	1/8	0.87 (22)	1.28 (32.4)	1.10 (28)	3.74 (95)	-	0.98 (25)	1.22 (31)	0.18 (4.5)	1.73 (44)	1.02 (26)	1.38 (35)	0.67 (17)	1/8" NPT
23	V61	2.60 (66)	0.94 (24)	0.83 (21)	0.13 (3.2)	0.26 (6.5)	0.79 (20)	1/4	0.98 (25)	1.65 (42)	1.10 (28)	4.49 (114)	-	1.26 (32)	1.38 (35)	0.18 (4.5)	1.02 (26)	1.02 (26)	1.57 (40)	0.71 (18)	1/8" NPT
23	V62	3.07 (78)	1.06 (27)	0.96 (24.4)	0.18 (4.5)	0.31 (8)	1.10 (28)	3/8	1.34 (34)	1.92 (48.8)	1.73 (44)	5.20 (132)	-	0.47 (12)	2.60 (66)	0.18 (4.5)	1.32 (33.6)	1.42 (36)	2.17 (55)	0.83 (21)	1/8" NPT
24	V60	1.97 (50)	1.46 (37)	0.64 (16.2)	0.13 (3.2)	0.26 (6.5)	0.67 (17)	1/8	0.87 (22)	1.28 (32.4)	1.10 (28)	4.29 (109)	-	0.98 (25)	1.77 (45)	0.18 (4.5)	1.73 (44)	1.02 (26)	1.38 (35)	0.67 (17)	1/8" NPT
24	V61	2.60 (66)	1.85 (47)	0.83 (21)	0.13 (3.2)	0.26 (6.5)	0.79 (20)	1/4	0.98 (25)	1.65 (42)	1.10 (28)	5.39 (137)	-	1.26 (32)	2.28 (58)	0.18 (4.5)	1.02 (26v)	1.02 (26)	1.57 (40)	0.71 (18)	1/8" NPT
24	V62	3.07 (78)	1.95 (49.5)	0.96 (24.4)	0.18 (4.5)	0.31 (8)	1.10 (28)	3/8	1.34 (34)	1.92 (48.8)	1.73 (44)	6.08 (154.5)	-	0.47 (12)	3.48 (88.5)	0.18 (4.5)	1.32 (33.6)	1.42 (36)	2.17 (55)	0.83 (21)	1/8" NPT



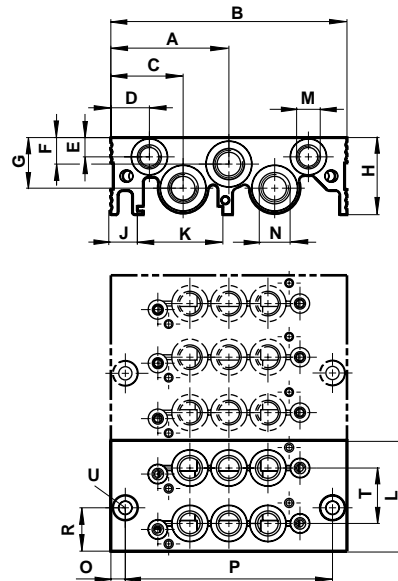
Manifold system

Manifold plate

Valve ports	V60 Model	lbs (kg)	V61 Model	lbs (kg)	V62 Model	lbs (kg)
2	2221032	0.51 (0.23)	2221132	0.62 (0.28)	2221232	1.10 (0.50)
3	2221033	0.62 (0.28)	2221133	0.99 (0.45)	2221233	1.87 (0.85)

Drawing dimensions

Manifold plate 2 stations + 3 stations



Type	A	B	C	D	E	F	G	H	J	K	L	M	N	O	P	R	S	T	U
V60 2 stations	1.93 (49)	3.86 (98)	1.18 (30)	0.63 (16)	0.31 (8)	0.43 (11)	0.83 (21)	1.26 (32)	0.43 (11)	1.40 (35.5)	1.81 (46)	1/8	1/4	0.24 (6)	3.39 (86)	1.10 (28)	-	0.91 (23)	for 10-32
V60 3 stations	1.93 (49)	3.86 (98)	1.18 (30)	0.63 (16)	0.31 (8)	0.43 (11)	0.83 (21)	1.26 (32)	0.43 (11)	1.40 (35.5)	2.72 (69)	1/8	1/4	0.24 (6)	3.39 (86)	1.10 (28)	-	0.91 (23)	for 10-32
V61 2 stations	2.05 (52)	4.09 (104)	1.02 (26)	0.35 (9)	0.31 (8)	0.51 (13)	0.83 (21)	1.30 (33)	0.39 (10)	1.40 (35.5)	2.05 (52)	1/8	3/8	1.57 (40)	0.94 (24)	1.02 (26)	-	1.02 (26)	for 10-32
V61 3 stations	2.05 (52)	4.09 (104)	1.02 (26)	0.35 (9)	0.31 (8)	0.51 (13)	0.79 (20)	1.30 (33)	0.39 (10)	1.40 (35.5)	3.07 (78)	1/8	3/8	1.57 (40)	0.94 (24)	2.05 (52)	-	1.02 (26)	for 10-32
V62 2 stations	2.36 (60)	4.72 (120)	1.14 (29)	0.35 (9)	0.31 (8)	0.59 (15)	0.87 (22)	1.50 (38)	0.51 (13)	1.40 (35.5)	2.76 (70)	1/8	1/2	1.73 (44)	1.26 (32)	1.38 (35)	-	1.38 (35)	for M6
V62 3 stations	2.36 (60)	4.72 (120)	1.14 (29)	0.35 (9)	0.31 (8)	0.59 (15)	0.87 (22)	1.50 (38)	0.51 (13)	1.40 (35.5)	4.13 (105)	1/8	1/2	1.73 (44)	1.26 (32)	2.76 (70)	-	1.38 (35)	for M6

DIN Rail fixing kit



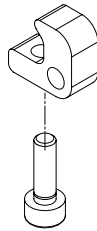
0101796 (V60→V62) 0.02 lbs (0.01 kg)



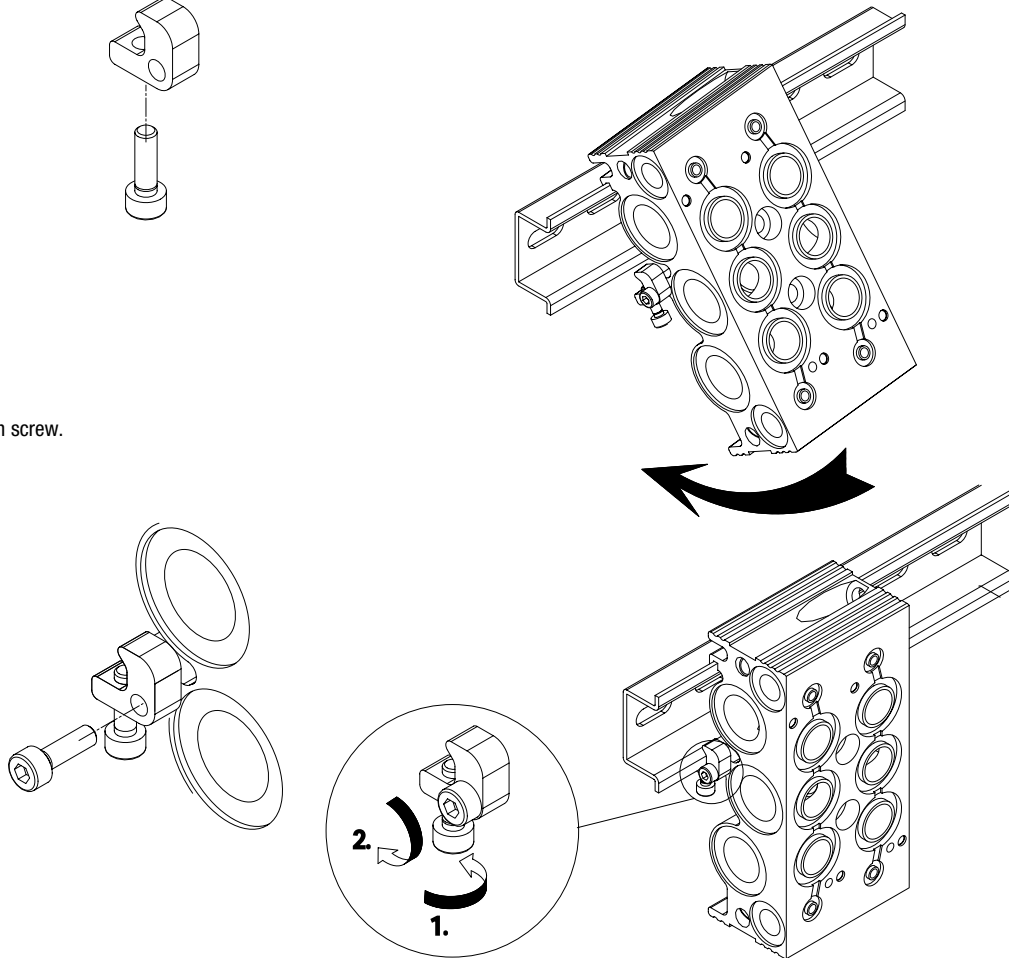
Mounting instructions

DIN Rail

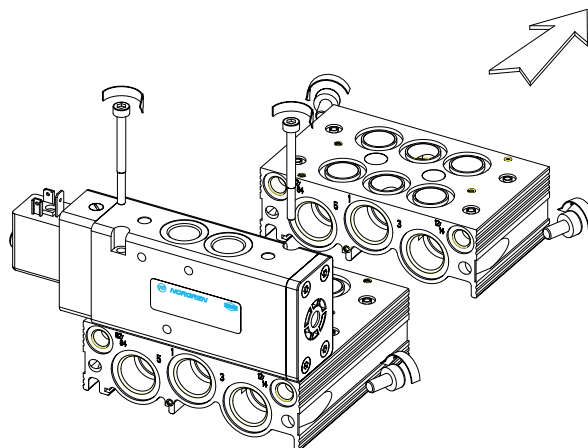
1. Mount screw in rod



2. Fix rod on manifold plate with screw.



Extension possibilities with manifold plates





V 6 0 A 5 1 7 A – A 3 1 3 J B

