

- Olympian plug in design
- Robust and compact
- High flow unit with large valve and diaphragm
- Push to lock adjusting knob with tamper resistant option
- Excellent flow and regulation characteristics



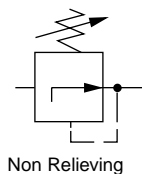
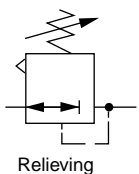
Ordering Information. Models listed include PTF threads, knob adjustment, relieving diaphragm, 5 to 120 psig (0.4 to 8 bar) outlet pressure adjustment range* with gauge.

Port Size	Model	Flow† scfm (dm ³ /s)	Weight lb (kg)
3/4	R68G-6AK-RLG	318 (150)	4.29 (1.95)
1	R68G-8AK-RLG	360 (170)	4.16 (1.89)
1-1/4	R68G-AAK-RLG	360 (170)	4.24 (1.93)
1-1/2	R68G-BAK-RLG	360 (170)	4.33 (1.97)

Alternative Models

Port Size	Substitute	Threads	Substitute	Gauge	Substitute	Outlet Pressure Adjustment Range*	Substitute	Type	Substitute
3/4"	6	PTF	A	With	G	0 to 60 psig (0 to 4 bar)	F	Relieving	R
1"	8	ISO Rc taper	B	Without	N	5 to 120 psig (0.4 to 8 bar)	L	Non relieving	N
1-1/4"	A	ISO G parallel	G			10 to 250 psig (0.7 to 17 bar)	S**	Relieving, Viton option	F
1-1/2"	B	No Yoke (<i>N</i> in 5th position)	N					Non relieving, Viton option	E
None	N	No Yoke (<i>N</i> in 5th position)	A						
		PTF threaded gauge ports	A						
		Option	Substitute						
		Adjusting knob	K						
		T-bar	T						

ISO Symbol



* Outlet pressure can be adjusted to pressures in excess of, and less than, those specified. Do not use these units to control pressures outside of the specified ranges.

** Units with 250 psig (17 bar) adjustment range are available only with the T-bar adjustment; therefore substitute **T** at the 7th digit and **S** at the 9th position.

† Typical flow with 150 psig (10 bar) inlet pressure, 90 psig (6.3 bar) set pressure and a 15 psig (1 bar) droop from set.



Technical Data

Fluid: Compressed air

Maximum pressure: 300 psig (20 bar)

Operating temperature*: 0° to +175°F (-20° to +80°C)

* Air supply must be dry enough to avoid ice formation at temperatures below +35°F (+2°C).

Typical flow at 150 psig (10 bar) inlet pressure, 90 psig (6.3 bar) set pressure and a droop of 15 psig (1 bar) from set:
370 scfm (170 dm³/s)

Gauge ports:

1/8 PTF with PTF yoke ports

Rc1/8 with ISO Rc yoke ports

Rc1/8 with ISO G yoke ports

Materials:

Body: Aluminum

Yoke: Aluminum

Bonnet: Aluminum

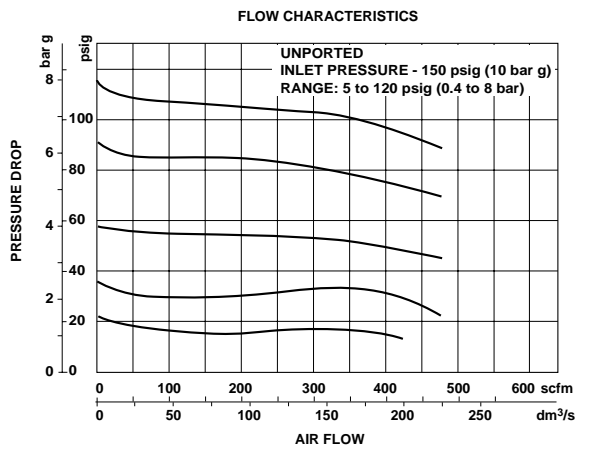
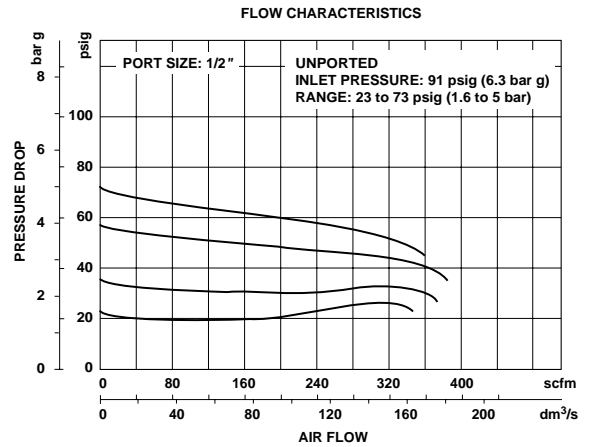
Adjusting knob: Acetal resin

Valve: Aluminium

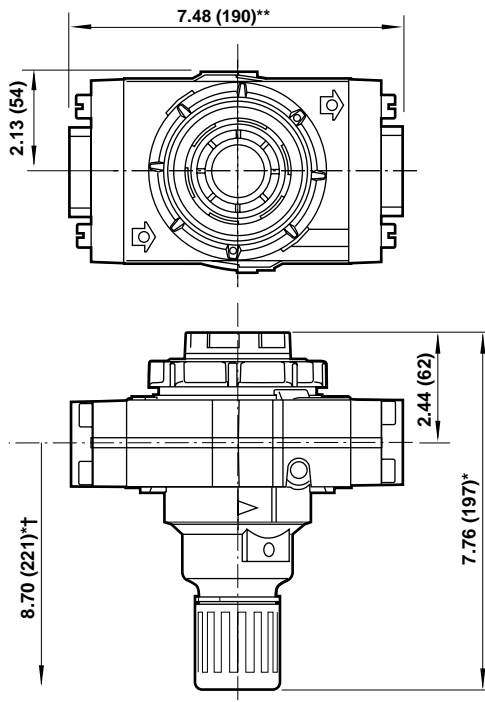
Optional T-bar adjusting screw: Steel

Elastomers: Synthetic rubber

Typical Performance Characteristics



All Dimensions in Inches (mm)



* Add 1.46" (37mm) for unit with T-bar.

** Add 0.39" (10mm) 1-1/4" and 1-1/2" models.

† Minimum clearance required to remove unit.

Service Kits

Item	Type	Part Number
Service kit	Relieving	4381-300
	Non relieving	4381-301

Service kit includes port and bottom plug 'O' rings, valve assembly, valve spring and diaphragm.