

Designed for use in corrosive environments

Metallic parts meet NACE Standard MR-01-75*

Meets certain requirements of Military Specifications**

* National Association of Corrosion Engineers (NACE) MR-01-75 defines requirements for sulphide stress cracking resistant materials used in well-head and other corrosive environments.

** Meets certain requirements of MIL-S-901C (Navy) 15 Jan 1963: Military Specifications Shock Test H.I. (High Impact); Shipboard Machinery, Equipment and Systems and MIL-STD-167-1 (Ships) Military Standard Mechanical Vibrations of Shipboard Equipment.

Technical data

R05

Fluid:

Compressed air

Maximum pressure:

300 psig (20 bar)

Operating temperature:

-30° to 150°F (-34° to 66°C) *

* Air supply must be dry enough to avoid ice formation at temperatures below 35°F (2°C).

B05

Fluid:

Compressed air

Maximum pressure:

300 psig (20 bar)

Operating temperature:

-30° to 150°F (-34° to 66°C) *

* Air supply must be dry enough to avoid ice formation at temperatures below 35°F (2°C)

Particle removal:

5 µm or 40 µm filter element

Materials

R05

Body: 304 stainless steel

Bonnet: 316 Stainless steel with T-handle or Acetal with stainless steel adjusting screw

Valve: 316 Stainless steel with fluorocarbon elastomer

Valve seat: Acetal

Springs: 302 Stainless steel

Elastomers: Fluorocarbon

B05

Body and bowl: 304 stainless steel

Bonnet: 316 Stainless steel with T-handle or Acetal with stainless steel adjusting screw

Valve: 316 Stainless steel with fluorocarbon elastomer

Valve seat: Acetal

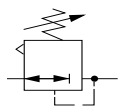
Springs: 302 Stainless steel

Drain: Stainless steel or Acetal

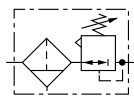
Element: Sintered polypropylene

Elastomers: Fluorocarbon

ISO Symbols



R05 Relieving



B05 Manual Drain, Relieving



R05 Regulators

B05 Filter/Regulators

R05 Ordering Information

Standard models listed are relieving type with 5 to 125 psig (0.3 to 8.5 bar) outlet pressure adjustment range* and PTF threads. A gauge is not included.

Port Size	Model	Bonnet type	Flow** scfm (dm3/s)	Weight lb (kg)	Service kit†
1/4" PTF	R05-200-RNLA	Acetal	15 (7)	0.32 (0.15)	3407-71
1/4" PTF	R05-232-RNLA	Stainless steel w/ T-handle	15 (7)	0.58 (0.26)	3407-71

B05 Ordering Information

Standard models listed include a relieving diaphragm, manual drain, 5 µm element, 5 to 125 psig (0.3 to 8.5 bar) outlet pressure adjustment range** and PTF threads. A gauge is not included.

Port Size	Model	Bonnet type	Drain type (material)	Flow† scfm (dm3/s)	Weight lb (kg)	Service kit†
1/4" PTF	B05-233-M1LA	Acetal	manual (Acetal)	15 (7)	0.85 (0.38)	3820-08
1/4" PTF	B05-238-M1LA	Stainless steel w/ T-handle	manual (SS)	15 (7)	1.20 (0.54)	3820-08
1/4" PTF	B05-233-A1LA	Acetal	automatic (SS)	15 (7)	0.85 (0.38)	3820-08

* Outlet pressure can be adjusted to pressures in excess of, and less than, those specified. Do not use these units to control pressures outside of the specified ranges.

** Typical flow with 150 psig (10 bar) inlet pressure, 90 psig (6.3 bar) set pressure and 15 psig (1 bar) droop from set.

† Service kit includes diaphragm, seals, o-rings, and valve

Additional Options††

R 0 5 - 2 * * - * * N * A

Bonnet	Substitute
Standard knob (Acetal)	00
T-handle (Stainless steel)	32

Outlet Pressure Adjustment Ranges*	Substitute
5 to 50 psig (0.3 to 3.5 bar)	E
5 to 125 psig (0.3 to 8.5 bar)	L

Diaphragm	Substitute
Relieving	R
Non relieving	N

B 0 5 - 2 * * - * * * *

Diaphragm & Bonnet	Substitute
Relieving, acetal knob	33
Non relieving, acetal knob	35
Relieving, stainless steel T-handle	38‡
Non-relieving, stainless steel T-handle	41‡

Threads	Substitute
PTF	A

Outlet Pressure Adjustment Ranges*	Substitute
5 to 50 psig (0.3 to 3.5 bar)	E
5 to 125 psig (0.3 to 8.5 bar)	L

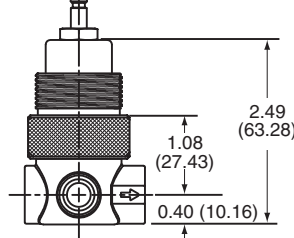
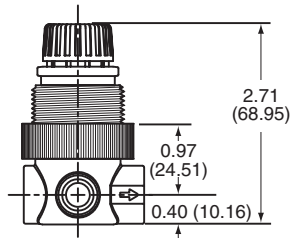
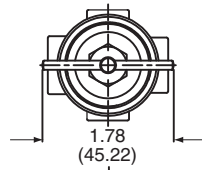
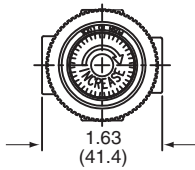
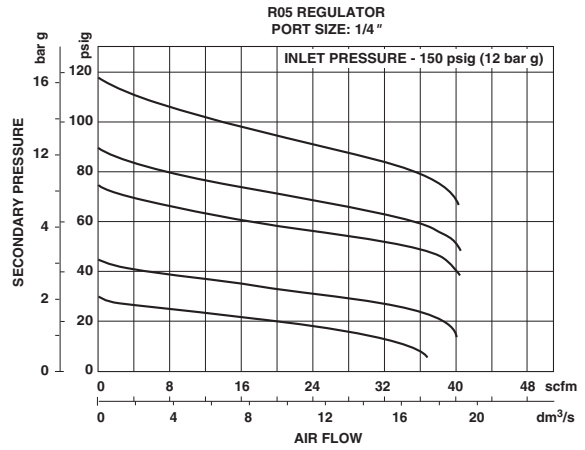
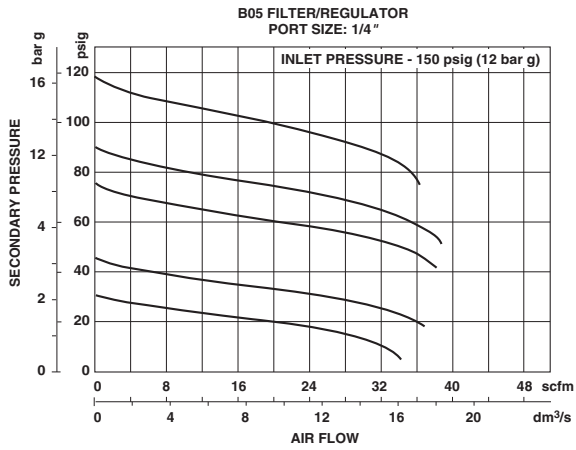
Drain	Substitute
Automatic (stainless steel)	A
Manual (Acetal)	M

Element	Substitute
5 µm	1
40 µm	2

†† These options may require minimum order quantities and may have longer lead times.

‡ Options 38 and 41 have stainless steel manual drains as standard.

All Dimensions in Inches (mm)



Accessories

Panel nut
(Acetal)

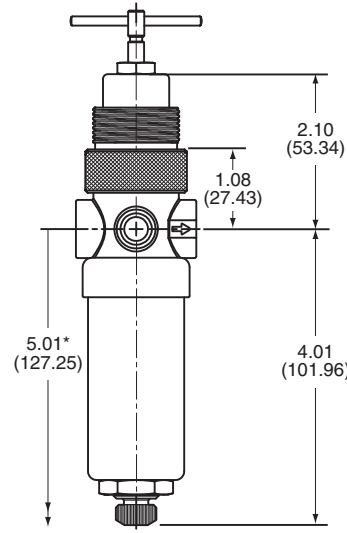
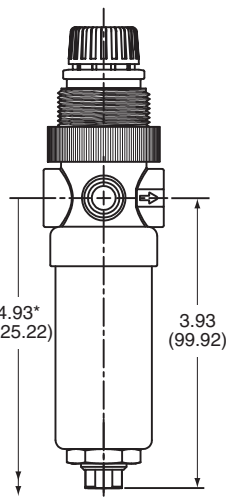
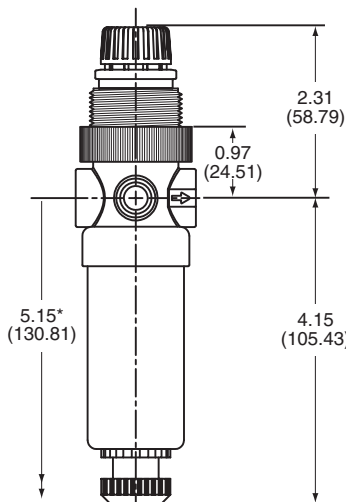
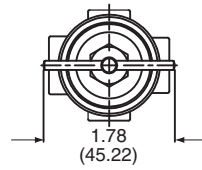
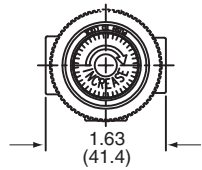


2962-89

Gauge
(Stainless steel)
0 ... 140 psig



18-013-844



Manual drain

Auto drain

Manual drain

*Minimum distance to remove bowl