

For installation in 1/4" through 1-1/2" air lines.

- 3-way, manually operated, full flow lockout valves can be locked in the closed position with a customer supplied padlock.
- In the closed position, these valves shut off the flow of air between the inlet and outlet ports and exhaust the downstream air.
- Helps you comply to OSHA regulations, as they relate to OSHA regulation 29 CFR Part 1910, standard for lockout/tagout procedures.



Options

C0021A/D and C0023A/D Valves with fluorocarbon elastomers: Specify **1FA** after the desired valve model number.

C0022A/D and C0024A/D Valves with fluorocarbon elastomers: Specify **1EX** after the desired valve model number.

C0021A/D Valves with tapped muffler base that accepts a muffler with 3/4" NPT male threads: Specify **1M2** after the desired valve model number.
Recommended muffler: **MB006A**.

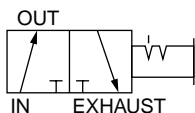
C0022A/D Valves with tapped muffler base that accepts a muffler with 1" NPT male threads: Specify **1M1** after the desired valve model number.
Recommended muffler **MB008A**.

Note: Standard valves have a black handle. To order valves with a red handle, change the second position of the model number to an R (e.g., C0021A would change to CR021A).

Order Information

Basic Size	Port Size PTF	Model Numbers		Basic Size	Port Size ISO G	Model Numbers		Cv Factor	
		Without Muffler	With Muffler			Without Muffler	With Muffler	In-Out Ports	Out-Exhaust Ports
1/2"	1/4"	C0021A	C0023A	1/2"	G1/4	C0041A	C0043A	4.2	6.0
	3/8"	C0021B	C0023B		G3/8	C0041B	C0043B	6.6	6.6
	1/2"	C0021C	C0023C		G1/2	C0041C	C0043C	9.3	7.9
	3/4"	C0021D	C0023D		G3/4	C0041D	C0043D	12.6	8.6
1"	3/4"	C0022A	C0024A	1"	G3/4	C0042A	C0044A	10.6	8.0
	1"	C0022B	C0024B		G1	C0042B	C0044B	16.2	9.2
	1-1/4"	C0022C	C0024C		G1-1/4	C0042C	C0044C	25.3	8.9
	1-1/2"	C0022D	C0024D		—	—	—	—	22.4

Graphic Symbol





Technical Data

Fluid: Compressed air
 Maximum Pressure: 300 psig (20.4 bar)
 Temperature Range: -20° to 175°F* (-29° to 79°C).
 *With a dew point of supply air less than air temperature below 35°F (2°C).
 Maximum Diameter of Lock Shackle: 5/16" (8mm)

Materials of Construction

- Valve Body: Aluminum
- Muffler Base: Zinc
- Spool, T-Handle, Muffler Shell: Aluminum
- Spring Detent: Stainless Steel
- Elastomers
 - Standard: Nitrile and Polyurethane
 - Optional: Fluorocarbon

Repair Kits

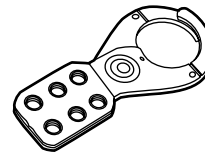
- C0021A/D and C0023A/D Valves:
 - Standard Elastomers: 53474-43
 - Fluorocarbon Elastomers: 53474-44
- C0022A/D and C0024A/D Valves:
 - Standard Elastomers: 53475-34
 - Fluorocarbon Elastomers: 53475-36
- Replacement Mufflers* for C0021A/C0024D Valves
 - C0021A/D and C0023A/D Valves: ML004F
 - C0022A/D and C0024A/D Valves: ML008F

*Contains all bolts and washers required to flange mount with the respective sized lockout valve.

Lockout Hasp

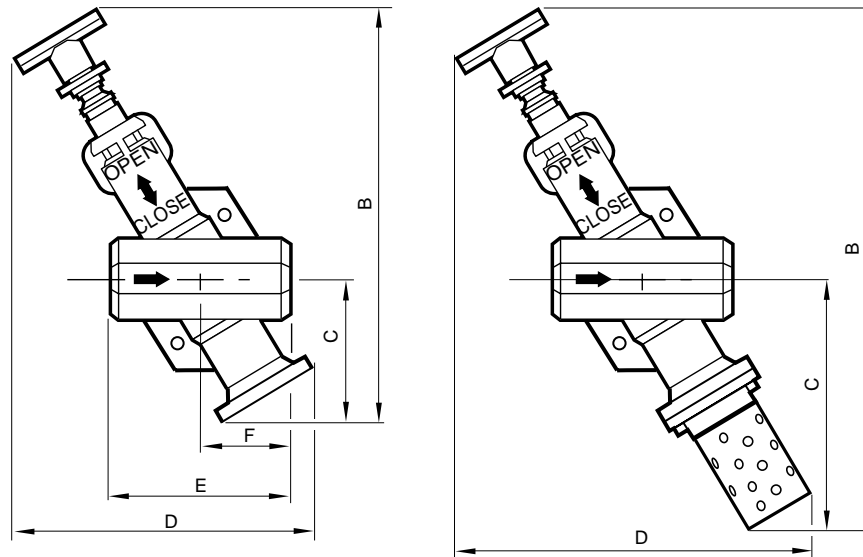
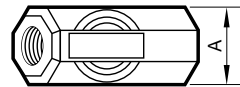
Part Number: 54547-01

The 1-1/2" diameter jaws can be used with all Norgren Inline, Olympian, and Poppet Lockout Valves except the T15. High-tensile steel affords extra protection against unauthorized access. Red vinyl coated and plated to resist rust. Locking holes accommodate padlocks up to 11/32" shackle diameter.



Lockout Hasp

All Dimensions in Inches (mm)



Valve Type	A	B		C		D		E	F
		Without Muffler	With Muffler	Without Muffler	With Muffler	Without Muffler	With Muffler		
All 1/2" basic	1.87 (48)	9.33 (237)	11.78 (299)	2.90 (74)	5.35 (136)	6.97 (177)	7.97 (202)	4.00 (102)	2.00 (51)
All 1" basic	2.26 (57)	12.07 (307)	15.72 (399)	4.13 (105)	7.78 (198)	8.65 (220)	10.46 (266)	5.00 (127)	2.50 (64)