

Valve Manifolds VE10 Series

3/2 valve system with integral push-in fittings or threads

- Pinch plug, single and double row manifolds
- Multipole or Fieldbus prewired for installation flexibility
- Compact valve manifold
- Side and bottom ported options
- LED indication
- Manual override options
- Surface, panel or DIN rail mounting

DeviceNet



Technical Data

Medium:

Compressed air, filtered to 40 µm, lubricated or non-lubricated

Operation:

Solenoid pilot actuated

Function:

3/2 ports 1 to 2 & 2 to 3

Port sizes:

Outlet Ø 5/32 and 1/8 inch (4 mm) Push-in fittings – 10-32 and M5 threaded

Inlet/exhaust Ø 1/4 (6 mm) Push-in fittings – 10-32 and M5 threaded

Operation pressure:

29 to 116 psi (2 to 8 bar)

Flow:

15 l/min to JIS B8375-1981, 0.13 Kv to VDI/VDE 2173, 0.015 Cv to ISO 6358

Mounting:

Through holes in sub-base, threaded holes for side mounts or DIN-rail

Voltage:

24 VDC, 12 VDC

Multipole:

Common negative

Fieldbus:

DeviceNet Vol. 2.0 A-15

Protection class:

IP40

Approvals:

ATEX, UL (pending)

Ambient temperature:

41°F to 122°F (5°C to +50°C)

Materials

Anodized aluminum alloy sub-base
PPS valve body & NBR poppet valve

Options selector

VE10*****-★00

Number of stations	Substitute
4	04
6	06*
8	08
10	10*
12	12
14	14*
16	16
18	18*
20	20

* Single row manifolds only.

Type	Substitute
Pinch plug, single row, 4 to 20 stations	WS
Pinch plug, double row, 4, 8, 12, 16 and 20 stations	WD
Multipole, double row, 4, 8, 12, 16 and 20 stations	MD
DeviceNet, double row, without interlocks 4, 8, 12, 16 and 20 stations	DR
DeviceNet, double row, with interlocks, 4 and 8 stations	DK

Outlet port position	Substitute
Side	0
Bottom	B

Voltage	Substitute
24V d.c.	3
12V d.c.	2

Manual override	Substitute
Turn & lock	2
Push only	3

Port size (inlet/exhaust)	Substitute
1/4 & 5/32 PIF	9
1/4 & 1/8 PIF	8
Ø 6 & Ø 4 mm PIF	4
10-32 UNF *	B
M5 *	A

* Only available on single row manifold

Protection classification (IP code)

All VE10 valve manifolds fulfill IP40.

PELV (Electrical protection class III)

All VE10 products are designed to be used with a protective extra low voltage (PELV) power supply.

UL approval

UL approval for Multipole and Fieldbus valve manifolds ongoing.

Please contact customer service for detailed information.

ATEX

ATEX category 3 approval

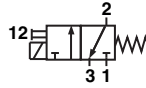
Electrical details for solenoid operators

Voltage tolerances (24V d.c.)	± 10%
Voltage tolerances (12V d.c.)	± 10%
Rating	100 % Continuous duty
Inlet orifice	0.6 mm
Indication	LED yellow
Surge suppression	Transil diode
Materials	PPS (body), Viton and NBR (seal)
Power consumption	0.8 Watts

Valve Manifolds VE10 Series

3/2 valve system with integral push-in fittings or threads

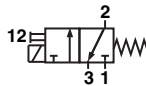
Pinch plug
Single row



	Voltage (DC)	Manual Override	Ports Inlet PIF	Exhaust PIF	Outlet	Dimensions no.
VE10**WSB22-000	12V	Turn & lock	10-32 UNF	10-32 UNF	10-32 UNF	1
VE10**WSB23-000	24V	Turn & lock	10-32 UNF	10-32 UNF	10-32 UNF	1
VE10**WSB32-000	12V	Push only	10-32 UNF	10-32 UNF	10-32 UNF	1
VE10**WSB33-000	24V	Push only	10-32 UNF	10-32 UNF	10-32 UNF	1
VE10**WSA22-000	12V	Turn & lock	M5	M5	M5	1
VE10**WSA23-000	24V	Turn & lock	M5	M5	M5	1
VE10**WSA32-000	12V	Push only	M5	M5	M5	1
VE10**WSA33-000	24V	Push only	M5	M5	M5	1

** = Number of Stations. Choose from 04, 06, 08, 10, 12, 14, 16, 18 & 20

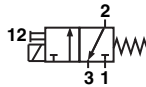
Double row



VE10**WD922-#00	12V	Turn	1/4 inch	1/4 inch	5/32 inch	2 + 3
VE10**WD923-#00	24V	Turn	1/4 inch	1/4 inch	5/32 inch	2 + 3
VE10**WD932-#00	12V	Push	1/4 inch	1/4 inch	5/32 inch	2 + 3
VE10**WD933-#00	24V	Push	1/4 inch	1/4 inch	5/32 inch	2 + 3
VE10**WD822-#00	12V	Turn	1/4 inch	1/4 inch	1/8 inch	2 + 3
VE10**WD823-#00	24V	Turn	1/4 inch	1/4 inch	1/8 inch	2 + 3
VE10**WD832-#00	12V	Push	1/4 inch	1/4 inch	1/8 inch	2 + 3
VE10**WD833-#00	24V	Push	1/4 inch	1/4 inch	1/8 inch	2 + 3
VE10**WD422-#00	12V	Turn	6 mm	6mm	4 mm	2 + 3
VE10**WD423-#00	24V	Turn	6 mm	6mm	4 mm	2 + 3
VE10**WD432-#00	12V	Push	6 mm	6mm	4 mm	2 + 3
VE10**WD433-#00	24V	Push	6 mm	6mm	4 mm	2 + 3

** = Number of Stations. Choose from 04, 08, 12, 16 & 20 # = Please insert the outlet port option. Side 0 or bottom B.

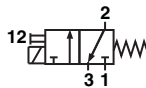
Multipole Double row



VE10**MD922-#00	12V	Turn	1/4 inch	1/4 inch	5/32 inch	4 + 5
VE10**MD923-#00	24V	Turn	1/4 inch	1/4 inch	5/32 inch	4 + 5
VE10**MD932-#00	12V	Push	1/4 inch	1/4 inch	5/32 inch	4 + 5
VE10**MD933-#00	24V	Push	1/4 inch	1/4 inch	5/32 inch	4 + 5
VE10**MD822-#00	12V	Turn	1/4 inch	1/4 inch	1/8 inch	4 + 5
VE10**MD823-#00	24V	Turn	1/4 inch	1/4 inch	1/8 inch	4 + 5
VE10**MD832-#00	12V	Push	1/4 inch	1/4 inch	1/8 inch	4 + 5
VE10**MD833-#00	24V	Push	1/4 inch	1/4 inch	1/8 inch	4 + 5
VE10**MD422-#00	12V	Turn	6 mm	6 mm	4 mm	4 + 5
VE10**MD423-#00	24V	Turn	6 mm	6 mm	4 mm	4 + 5
VE10**MD432-#00	12V	Push	6 mm	6 mm	4 mm	4 + 5
VE10**MD433-#00	24V	Push	6 mm	6 mm	4 mm	4 + 5

** = Number of Stations. Choose from 04, 08, 12, 16 & 20 # = Please insert the outlet port option. Side 0 or bottom B.

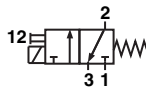
Devicenet with interlocks, Double Row



VE10**DK923-#00	24V	Turn	1/4 inch	1/4 inch	5/32 inch	6 + 7
VE10**DK933-#00	24V	Push	1/4 inch	1/4 inch	5/32 inch	6 + 7
VE10**DK823-#00	24V	Turn	1/4 inch	1/4 inch	1/8 inch	6 + 7
VE10**DK833-#00	24V	Push	1/4 inch	1/4 inch	1/8 inch	6 + 7
VE10**DK423-#00	24V	Turn	6 mm	6 mm	4 mm	6 + 7
VE10**DK433-#00	24V	Push	6 mm	6 mm	4 mm	6 + 7

** = Number of Stations. Choose from 04, 08 & 12 # = Please insert the outlet port option. Side 0 or bottom B.

Devicenet without interlocks, Double Row



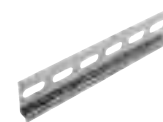
VE10**DR923-#00	24V	Turn	1/4 inch	1/4 inch	5/32 inch	8 + 9
VE10**DR933-#00	24V	Push	1/4 inch	1/4 inch	5/32 inch	8 + 9
VE10**DR823-#00	24V	Turn	1/4 inch	1/4 inch	1/8 inch	8 + 9
VE10**DR833-#00	24V	Push	1/4 inch	1/4 inch	1/8 inch	8 + 9
VE10**DR423-#00	24V	Turn	6 mm	6 mm	4 mm	8 + 9
VE10**DR433-#00	24V	Push	6 mm	6 mm	4 mm	8 + 9

** = Number of Stations. Choose from 04, 08, 12, 16 & 20 # = Please insert the outlet port option. Side 0 or bottom B.

Accessories

Din-rail

2-Pin connector IP40



V10009-C00 3.28' (1m)

V11556-E10 3.28' (1m)

V11556-E03 .98' (0.3m)

Blanking Kits*

V12739-K01 Single row

V12739-K02 Double row

*Kit contains 5 blanks, 5 gaskets, and 10 screws.

Replacement valves

Voltage	MO type	Pin orientation	Version	Part number
24	Push only	Up	Pinch plug	V11997-E01
24	Turn & lock	Up	Pinch plug	V11997-E02
24	Push only	Down	Multipole & fieldbus	V11995-E01
24	Turn & lock	Down	Multipole & fieldbus	V11995-E02
12	Push only	Up	Pinch plug	V11998-E01
12	Turn & lock	Up	Pinch plug	V11998-E02
12	Push only	Down	Multipole	V11996-E01
12	Turn & lock	Down	Multipole	V11996-E02

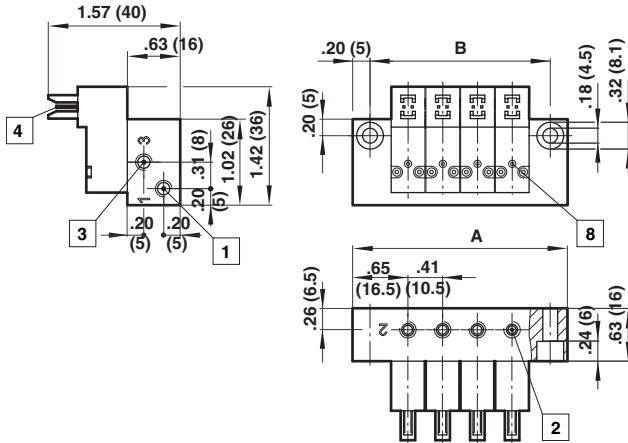
Valve Manifolds VE10 Series

3/2 valve system with integral push-in fittings or threads

Island dimensions

Pinch plug single row

Number of Stations 4, 6, 8, 10, 12, 14, 16, 18 & 20

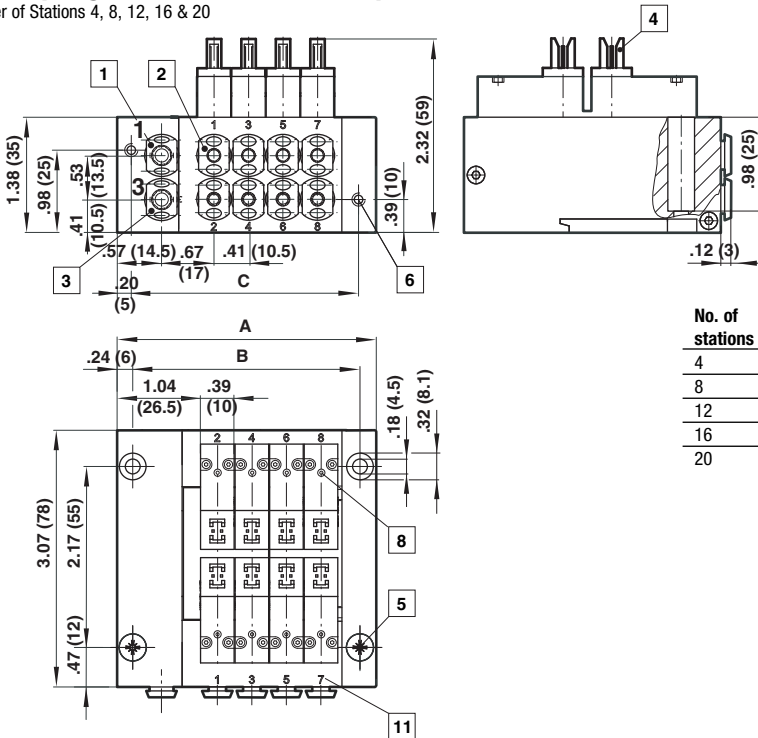


No. of stations	A in. (mm)	B in. (mm)	Weight Lb. (kg)
4	2.56 (65)	2.15 (54.5)	.23 (0.104)
6	3.39 (86)	2.97 (75.5)	.32 (0.145)
8	4.21 (107)	3.80 (96.5)	.41 (0.186)
10	5.04 (128)	4.63 (117.5)	.50 (0.227)
12	5.87 (149)	5.45 (138.5)	.59 (0.268)
14	6.69 (170)	6.28 (159.5)	.68 (0.309)
16	7.52 (191)	7.11 (180.5)	.77 (0.349)
18	8.35 (212)	7.93 (201.5)	.86 (0.390)
20	9.17 (233)	8.76 (222.5)	.95 (0.431)

- 1 Inlet ports (both ends): 10/32 UNF, M5
- 2 Outlet ports: 10/32 UNF, M5
- 3 Exhaust port (both ends): 10/32 UNF, M5
- 4 For 2-pin connector only
- 8 Manual override

Pinch plug double row, outlet ports on side

Number of Stations 4, 8, 12, 16 & 20



No. of stations	A in. (mm)	B in. (mm)	C in. (mm)	Lb. (kg)
4	3.21 (81.5)	2.76 (70)	2.80 (71)	1.76 (0.800)
8	4.86 (123.5)	4.41 (112)	4.45 (113)	2.82 (1.278)
12	6.52 (165.5)	6.06 (154)	6.10 (155)	3.87 (1.755)
16	8.17 (207.5)	7.72 (196)	7.76 (197)	4.92 (2.232)
20	9.82 (249.5)	9.37 (238)	9.41 (239)	5.97 (2.709)

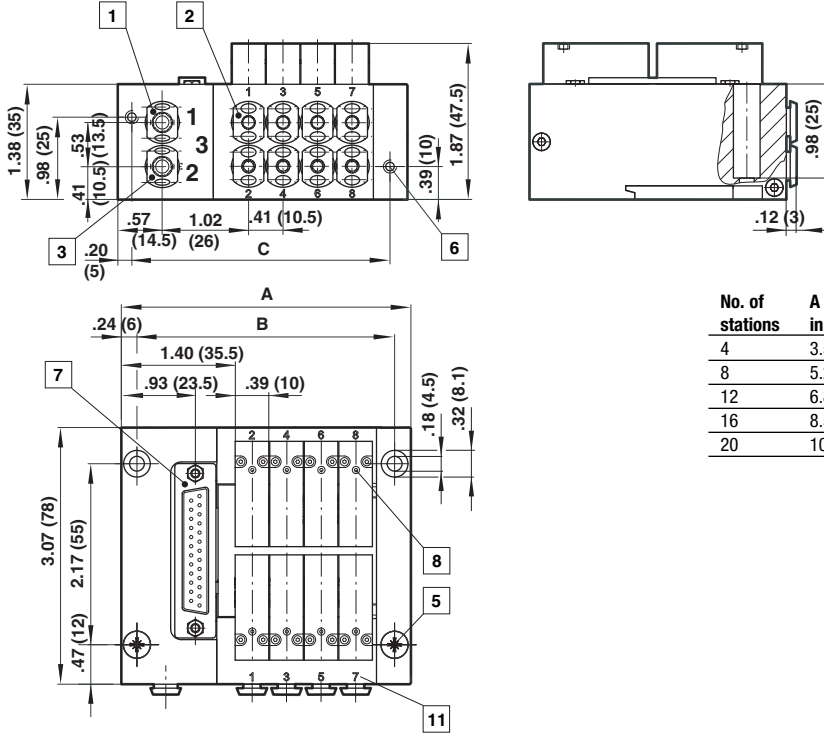
- 1 Inlet port: ϕ 1/4 inch, ϕ 6 mm
- 2 Outlet ports: ϕ 5/32 or 1/8 inch, ϕ 4 mm
- 3 Exhaust port: ϕ 1/4 inch, ϕ 6 mm
- 4 For 2-pin connector only
- 5 DIN rail screws as standard
- 6 M4 - .31" (8 mm) deep
- 8 Manual override
- 11 Number of valve

Valve Manifolds VE10 Series

3/2 valve system with integral push-in fittings or threads

Multipole, outlet ports on side

Number of Stations. 4, 8, 12, 16 & 20

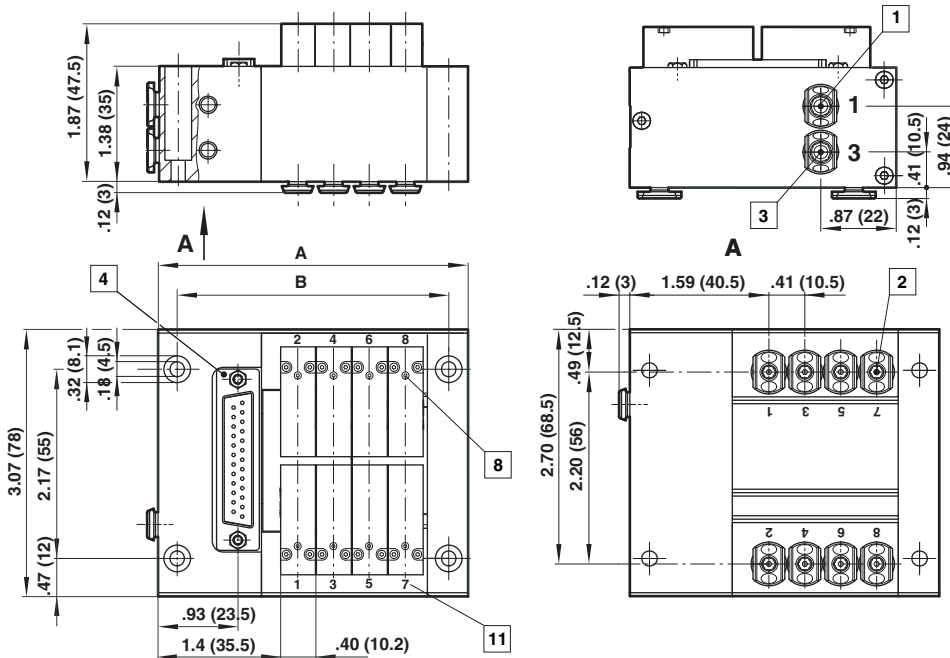


No. of stations	A		B		C		Weight	
	in.	(mm)	in.	(mm)	in.	(mm)	Lb.	(kg)
4	3.56	(90.5)	3.11	(79)	3.15	(80)	1.88	(0.855)
8	5.22	(132.5)	4.76	(121)	4.80	(122)	2.95	(1.340)
12	6.87	(174.5)	6.42	(163)	6.46	(164)	4.02	(1.823)
16	8.52	(216.5)	8.07	(205)	8.11	(206)	5.09	(2.309)
20	10.17	(258.5)	9.72	(247)	9.76	(248)	6.17	(2.800)

- 1 Inlet port: \varnothing 1/4 inch, \varnothing 6 mm
- 2 Outlet ports: \varnothing 5/32 or 1/8 inch, \varnothing 4 mm
- 3 Exhaust port: \varnothing 1/4 inch, \varnothing 6 mm
- 5 DIN rail screws as standard
- 6 M4 – .31" (8 mm) deep
- 7 25 pin connector for 4, 8 and 12 stations
44 pin connector for 16 and 20 stations
- 8 Manual override
- 11 Number of valve

Multipole, outlet ports on bottom

Number of Stations. 4, 8, 12, 16 & 20



Valve Manifolds VE10 Series

3/2 valve system with integral push-in fittings or threads

Multipole accessories

D-Sub connector 25-pin IP65



V11569-E01	3.28' (1m)
V11569-E03	9.84' (3m)
V11569-E05	16.40' (5m)

D-Sub connector 25-pin 90° IP65



V12086-E01	3.28' (1m)
V12086-E03	9.84' (3m)
V12086-E05	16.40' (5m)

D-Sub connector 44-pin IP65



V12095-E01	3.28' (1m)
V12095-E03	9.84' (3m)
V12095-E05	16.40' (5m)

D-Sub connector 44-pin 90° IP65



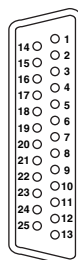
V12097-E01	3.28' (1m)
V12097-E03	9.84' (3m)
V12097-E05	16.40' (5m)

D-Sub connector 25-pin

Pin no.	Wire color	Station
1	White	1
2	Brown	3
3	Green	5
4	Yellow	7
5	Grey	9
6	Pink	11
7	Blue	13
8	Red	15
9	Black	17
10	Violet	19
11	Grey/Pink	21
12	Red/Blue	23
13	White/Green	Common
14	Brown/Green	2
15	White/Yellow	4
16	Yellow/Brown	6
17	White/Grey	8
18	Grey/Brown	10
19	White/Pink	12
20	Pink/Brown	14
21	White/Blue	16
22	Brown/Blue	18
23	White/Red	20
24	Brown/Red	22
25	White/Black	24

*1) According to DIN 47100

Looking into D-Sub connector 25 Pin connector - Male

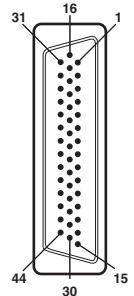


D-Sub connector 44-pin

Pin no.	Wire color	Station
1	White	1
2	Brown	3
3	Green	5
4	Yellow	7
5	Grey	9
6	Pink	11
7	Blue	13
8	Red	15
9	Black	17
10	Violet	19
11	Grey/Pink	21
12	Red/Blue	23
13	White/Green	25
14	Brown/Green	27
15	White/Yellow	29
16	Yellow/Brown	2
17	White/Grey	4
18	Grey/Brown	6
19	White/Pink	8
20	Pink/Brown	10
21	White/Blue	12
22	Brown/Blue	14
23	White/Red	16
24	Brown/Red	18
25	White/Black	20
26	Brown/Black	22
27	Grey/Green	24
28	Yellow/Grey	26
29	Pink/Green	28
30	Yellow/Pink	30
31	Green/Blue	31
32	Yellow/Blue	32
33	Green/Red	33
34	Yellow/Red	34
35	Green/Black	35
36	Yellow/Black	36
37	Grey/Blue	37
38	Pink/Blue	38
39	Grey/Red	39
40	Pink/Red	40
41	-	NOT USED
42	-	NOT USED
43	Red/Black	Common Ve
44	Blue/Black	Common Ve

*1) According to DIN 47100

Looking into D-Sub connector 44 Pin connector - Male

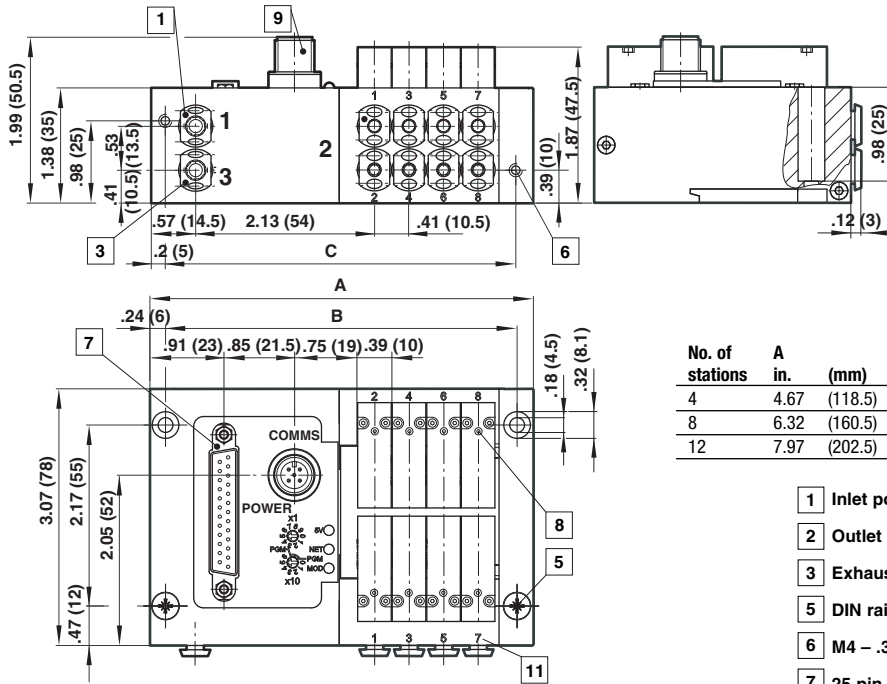


Valve Manifolds VE10 Series

3/2 valve system with integral push-in fittings or threads

Devicenet with interlocks, outlet ports on side

Number of Stations. 4, 8 & 12



Interlock wiring details

Valve/ Solenoid	Pin No.	Valve/ Solenoid	Pin No.
1	1	2	14
3	2	4	15
5	3	6	16
7	4	8	17
9	5	10	18
11	6	12	19
13	7	14	20
15	8	16	21
17	9	18	22
19	10	20	23
21	11	22	24
23	12	24	25
common	13	-	-

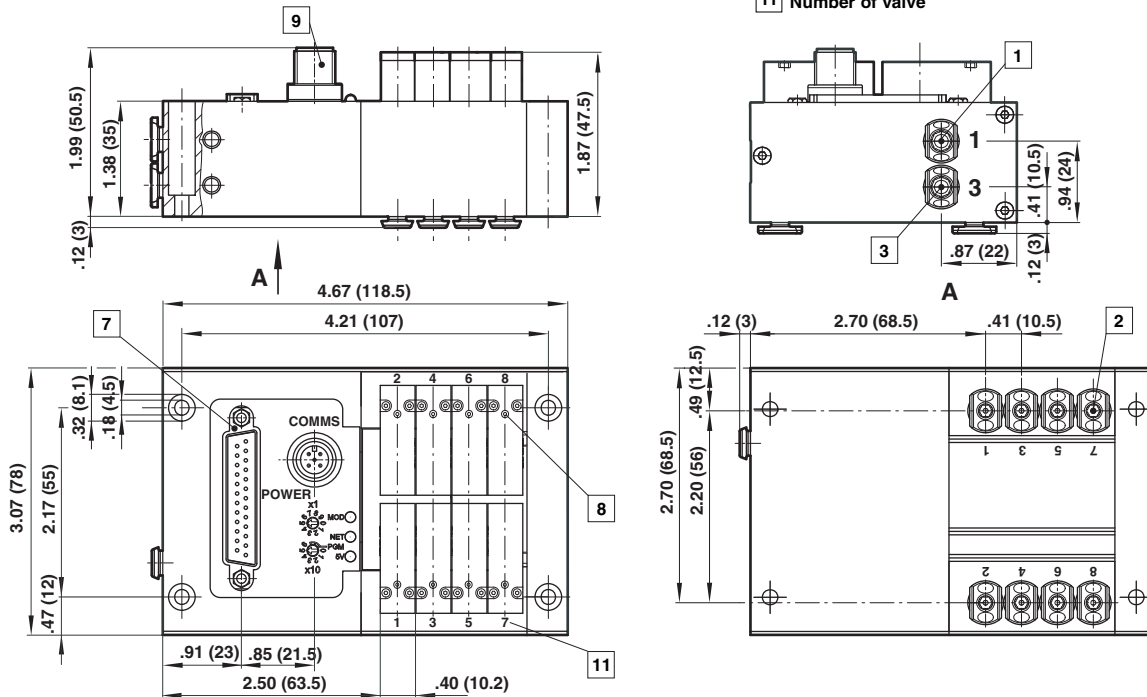
N.B. To maintain EMC compatability use a screened cable when the cable length is in excess of 1 meter.

No. of stations	A		B		C		Weight	
	in.	(mm)	in.	(mm)	in.	(mm)	Lb.	(kg)
4	4.67	(118.5)	4.21	(107)	4.25	(108)	2.19	(0.995)
8	6.32	(160.5)	5.87	(149)	5.91	(150)	3.25	(1.473)
12	7.97	(202.5)	7.52	(191)	7.56	(192)	4.31	(1.957)

- 1 Inlet port: imperial \varnothing 1/4 inch, metric \varnothing 6 mm
- 2 Outlet ports: imperial \varnothing 5/32 or 1/8 inch, metric \varnothing 4 mm
- 3 Exhaust port: imperial \varnothing 1/4 inch, metric \varnothing 6 mm
- 5 DIN rail screws as standard
- 6 M4 - .31" (8 mm) deep
- 7 25 pin connector (power and interlocks)
- 8 Manual override
- 9 M12 protocol connector
- 11 Number of valve

Devicenet with interlocks, outlet ports on bottom

Number of Stations. 4, 8 & 12

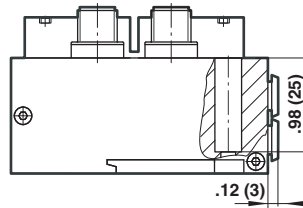
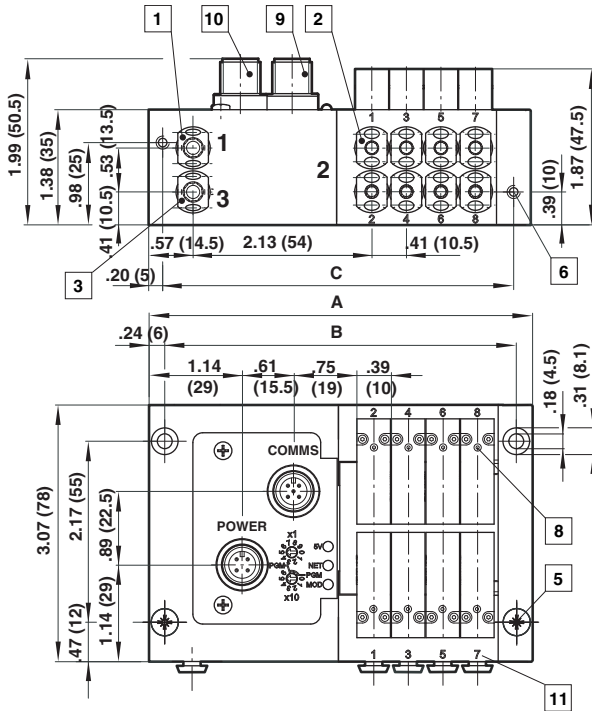


Valve Manifolds VE10 Series

3/2 valve system with integral push-in fittings or threads

Devicenet without interlocks, outlet ports on side

Number of Stations. 4, 8, 12, 16 & 20



No. of stations	A		B		C		Weight	
	in.	(mm)	in.	(mm)	in.	(mm)	Lb.	(kg)
4	4.67	(118.5)	4.21	(107)	4.25	(108)	2.21	(1.003)
8	6.32	(160.5)	5.87	(149)	5.91	(150)	3.28	(1.487)
12	7.97	(202.5)	7.52	(191)	7.56	(192)	4.35	(1.971)
16	9.63	(244.5)	9.17	(233)	9.21	(234)	5.42	(2.457)
20	11.28	(286.5)	10.83	(275)	10.87	(276)	6.50	(2.947)

- 1 Inlet port: imperial \varnothing 1/4 inch, metric \varnothing 6 mm
- 2 Outlet ports: imperial \varnothing 5/32 inch, metric \varnothing 4 mm
- 3 Exhaust port: imperial \varnothing 1/4 inch, metric \varnothing 6 mm
- 5 DIN rail screws as standard
- 6 M4 - .31" (8 mm) deep
- 8 Manual override
- 9 M12 protocol connector
- 10 M12 power connector
- 11 Number of valve

Devicenet without interlocks, outlet ports on bottom

Number of Stations. 4, 8, 12, 16 & 20

