

# Valve Manifolds VS26 Series

## Plug-in Mini ISO Valves

2x2/2, 2x3/2, 5/2 and 5/3 valves

ISO 15407-2

Size 26 mm

24V DC or 115V AC Multipole

Integrated Fieldbus

Field expandable with single add-on stations

Dual spool technology

VS26G Glandless spool and sleeve for long life

VS26S Softseal spool for high flow

Wide range of accessories

UL and ATEX

Universal PNP/NPN 24V DC

Multipole

### Technical data

Medium

Compressed air, filtered to 40 µm, lubricated or non-lubricated

### Operation

VS26G: Glandless spool valve, solenoid pilot actuated

VS26S: Softseal spool valve, solenoid pilot actuated

### Mounting

Sub-base

Ports 2+4

NPTF 1/4, PIF 3/8, 8 mm, and 10 mm, G1/4

### Operating pressure

Maximum pressure

145 psi (10 bar) VS26S models and VS26G solenoid pilot actuated valves with internal pilot supply, 232 psi (16 bar) VS26G solenoid pilot actuated valves with external pilot supply

Details of minimum and maximum pilot pressure see overleaf.

### Flow characteristics

Series	Function	Cv	l/min
VS26G	5/2	1.02	1000
VS26G	5/3	1.02	1000
VS26S	2x2/2	1.17	1150
VS26S	2x3/2	1.27	1250
VS26S	5/2	1.37	1350
VS26S	5/3	1.37	1350

### Ambient temperature

5°F to 122°F (-15°C to +50°C)

### Medium temperature

23°F to 122°F (-5°C to +50°C)

Consult our technical service for use below 35°F (+2°C).

### Materials

Body/sub-base: die-cast aluminum

Glandless spool & sleeve (VS26G): aluminum, hard anodized, teflon coated

Softseal spool (VS26S): aluminum with HNBR seals

Plastic parts: POM, PA, PPA

Mounting sheets/screws: steel, zinc coated

Springs: stainless steel

Sandwich plates: aluminum bar material

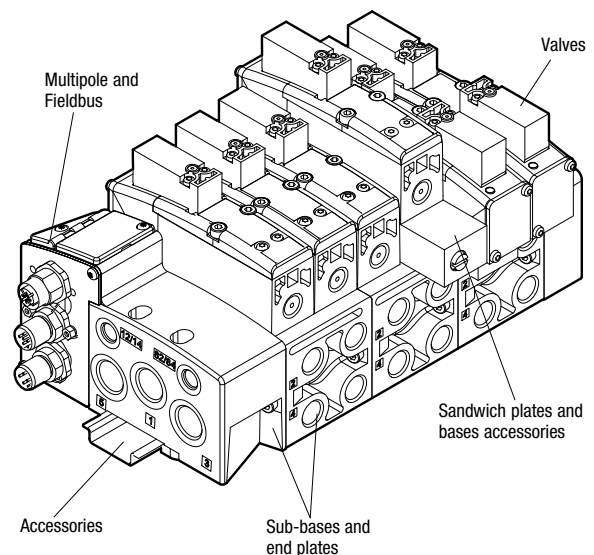
Electrical contacts: brass, tin/gold coated

PCB: glasepoxy



To order please use valve island configurator available at [www.norgren.com](http://www.norgren.com)

Alternatively contact Norgren for a configurator on CD or use our worksheet.



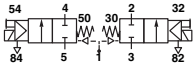
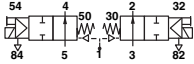
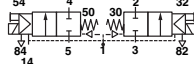
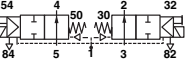
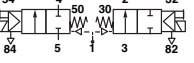
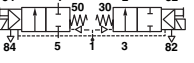
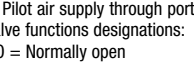
# Valve Manifolds VS26 Series

Plug-in Mini ISO Valves

2x2/2, 2x3/2, 5/2 and 5/3 valves, ISO 15407-2,

Size 26 mm

## 2x2/2 Double solenoid actuated Softseal valves flow = 1.17 Cv (1150 l/min)

	Model	Function 2 x 2/2	Actuation	Pilot supply	Pilot pressure psi	Operating pressure psi (bar)	Manual override	Voltage
	VS26SE11DF313A	NC	Sol/Spring	Internal	44 to 145 <sup>1</sup>	26" Hg to 145 (-0.9 to 10)	Push only	24V DC 1.2W
	VS26SE11DF318A	NC	Sol/Spring	Internal	44 to 145 <sup>1</sup>	26" Hg to 145 (-0.9 to 10)	Push only	115V AC 1.5VA
	VS26SE11DF213A	NC	Sol/Spring	Internal	44 to 145 <sup>1</sup>	26" Hg to 145 (-0.9 to 10)	Push & turn	24V DC 1.2W
	VS26SE11DF218A	NC	Sol/Spring	Internal	44 to 145 <sup>1</sup>	26" Hg to 145 (-0.9 to 10)	Push & turn	115V AC 1.5VA
	VS26SE11DF513A	NC	Sol/Spring	Internal	44 to 145 <sup>1</sup>	26" Hg to 145 (-0.9 to 10)	Extended, push only	24V DC 1.2W
	VS26SE11DF518A	NC	Sol/Spring	Internal	44 to 145 <sup>1</sup>	26" Hg to 145 (-0.9 to 10)	Extended, push only	115V AC 1.5VA
	VS26SE22DF313A	NC	Sol/Spring	External	25 + (0.35 x press. port 1) <sup>2</sup>	26" Hg to 145 (-0.9 to 10)	Push only	24V DC 1.2W
	VS26SE22DF318A	NC	Sol/Spring	External	25 + (0.35 x press. port 1) <sup>2</sup>	26" Hg to 145 (-0.9 to 10)	Push only	115V AC 1.5VA
	VS26SE22DF213A	NC	Sol/Spring	External	25 + (0.35 x press. port 1) <sup>2</sup>	26" Hg to 145 (-0.9 to 10)	Push & turn	24V DC 1.2W
	VS26SE22DF218A	NC	Sol/Spring	External	25 + (0.35 x press. port 1) <sup>2</sup>	26" Hg to 145 (-0.9 to 10)	Push & turn	115V AC 1.5VA
	VS26SE22DF513A	NC	Sol/Spring	External	25 + (0.35 x press. port 1) <sup>2</sup>	26" Hg to 145 (-0.9 to 10)	Extended, push only	24V DC 1.2W
	VS26SE22DF518A	NC	Sol/Spring	External	25 + (0.35 x press. port 1) <sup>2</sup>	26" Hg to 145 (-0.9 to 10)	Extended, push only	115V AC 1.5VA
	VS26SF11DF313A	NO	Sol/Spring	Internal	44 to 145 <sup>1</sup>	26" Hg to 145 (-0.9 to 10)	Push only	24V DC 1.2W
	VS26SF11DF213A	NO	Sol/Spring	Internal	44 to 145 <sup>1</sup>	26" Hg to 145 (-0.9 to 10)	Push & turn	24V DC 1.2W
	VS26SF11DF218A	NO	Sol/Spring	Internal	44 to 145 <sup>1</sup>	26" Hg to 145 (-0.9 to 10)	Push & turn	115V AC 1.5VA
	VS26SF11DF513A	NO	Sol/Spring	Internal	44 to 145 <sup>1</sup>	26" Hg to 145 (-0.9 to 10)	Extended, push only	24V DC 1.2W
	VS26SF11DF518A	NO	Sol/Spring	Internal	44 to 145 <sup>1</sup>	26" Hg to 145 (-0.9 to 10)	Extended, push only	115V AC 1.5VA
	VS26SF22DF313A	NO	Sol/Spring	External	25 + (0.35 x press. port 1) <sup>2</sup>	26" Hg to 145 (-0.9 to 10)	Push only	24V DC 1.2W
	VS26SF22DF318A	NO	Sol/Spring	External	25 + (0.35 x press. port 1) <sup>2</sup>	26" Hg to 145 (-0.9 to 10)	Push only	115V AC 1.5VA
	VS26SF22DF213A	NO	Sol/Spring	External	25 + (0.35 x press. port 1) <sup>2</sup>	26" Hg to 145 (-0.9 to 10)	Push & turn	24V DC 1.2W
	VS26SF22DF218A	NO	Sol/Spring	External	25 + (0.35 x press. port 1) <sup>2</sup>	26" Hg to 145 (-0.9 to 10)	Push & turn	115V AC 1.5VA
	VS26SF22DF513A	NO	Sol/Spring	External	25 + (0.35 x press. port 1) <sup>2</sup>	26" Hg to 145 (-0.9 to 10)	Extended, push only	24V DC 1.2W
	VS26SF22DF518A	NO	Sol/Spring	External	25 + (0.35 x press. port 1) <sup>2</sup>	26" Hg to 145 (-0.9 to 10)	Extended, push only	115V AC 1.5VA
	VS26SG11DF313A	NO/NC	Sol/Spring	Internal	44 to 145 <sup>1</sup>	26" Hg to 145 (-0.9 to 10)	Push only	24V DC 1.2W
	VS26SG11DF318A	NO/NC	Sol/Spring	Internal	44 to 145 <sup>1</sup>	26" Hg to 145 (-0.9 to 10)	Push only	115V AC 1.5VA
	VS26SG11DF213A	NO/NC	Sol/Spring	Internal	44 to 145 <sup>1</sup>	26" Hg to 145 (-0.9 to 10)	Push & turn	24V DC 1.2W
	VS26SG11DF218A	NO/NC	Sol/Spring	Internal	44 to 145 <sup>1</sup>	26" Hg to 145 (-0.9 to 10)	Push & turn	115V AC 1.5VA
	VS26SG11DF513A	NO/NC	Sol/Spring	Internal	44 to 145 <sup>1</sup>	26" Hg to 145 (-0.9 to 10)	Extended, push only	24V DC 1.2W
	VS26SG11DF518A	NO/NC	Sol/Spring	Internal	44 to 145 <sup>1</sup>	26" Hg to 145 (-0.9 to 10)	Extended, push only	115V AC 1.5VA
	VS26SG22DF313A	NO/NC	Sol/Spring	External	25 + (0.35 x press. port 1) <sup>2</sup>	26" Hg to 145 (-0.9 to 10)	Push only	24V DC 1.2W
	VS26SG22DF318A	NO/NC	Sol/Spring	External	25 + (0.35 x press. port 1) <sup>2</sup>	26" Hg to 145 (-0.9 to 10)	Push only	115V AC 1.5VA
	VS26SG22DF213A	NO/NC	Sol/Spring	External	25 + (0.35 x press. port 1) <sup>2</sup>	26" Hg to 145 (-0.9 to 10)	Push & turn	24V DC 1.2W
	VS26SG22DF218A	NO/NC	Sol/Spring	External	25 + (0.35 x press. port 1) <sup>2</sup>	26" Hg to 145 (-0.9 to 10)	Push & turn	115V AC 1.5VA
	VS26SG22DF513A	NO/NC	Sol/Spring	External	25 + (0.35 x press. port 1) <sup>2</sup>	26" Hg to 145 (-0.9 to 10)	Extended, push only	24V DC 1.2W
	VS26SG22DF518A	NO/NC	Sol/Spring	External	25 + (0.35 x press. port 1) <sup>2</sup>	26" Hg to 145 (-0.9 to 10)	Extended, push only	115V AC 1.5VA

1) Pilot air supply through port 1

2) Pilot air supply through port 12/14

Valve functions designations:

NO = Normally open

NC = Normally closed

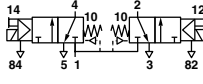
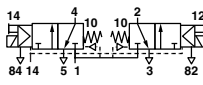
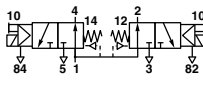
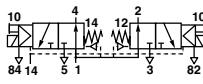
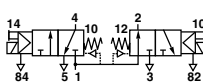
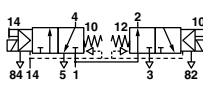
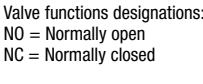
NOTE: The supply ports for the 2x2/2 valves are port 3 & 5 on the end plate. Therefore the flow path is from port 3 to port 2 or port 5 to port 4. Port 1 is only used to supply internal pilot pressure. Therefore care must be used when selecting other valves to be used on the same manifold as the 2x2/2's. You may be required to use isolation plugs in ports 3 & 5 to ensure proper operation.

# Valve Manifolds VS26 Series

Plug-in Mini ISO Valves

2x2/2, 2x3/2, 5/2 and 5/3 valves, ISO 15407-2, Size 26 mm

## 2x3/2 Double solenoid actuated Softseal valves flow = 1.27 Cv (1250 l/min)

	Model	Function 2 x 3/2	Actuation	Pilot supply	Pilot pressure psi	Operating pressure psi (bar)	Manual override	Voltage
	VS26SA11DF313A	NC	Sol/Spring	Internal	-	36 to 145 (2.5 to 10)	Push only	24V DC 1.2W
	VS26SA11DF318A	NC	Sol/Spring	Internal	-	36 to 145 (2.5 to 10)	Push only	115V AC 1.5VA
	VS26SA11DF213A	NC	Sol/Spring	Internal	-	36 to 145 (2.5 to 10)	Push & turn	24V DC 1.2W
	VS26SA11DF218A	NC	Sol/Spring	Internal	-	36 to 145 (2.5 to 10)	Push & turn	115V AC 1.5VA
	VS26SA11DF513A	NC	Sol/Spring	Internal	-	36 to 145 (2.5 to 10)	Extended, push only	24V DC 1.2W
	VS26SA11DF518A	NC	Sol/Spring	Internal	-	36 to 145 (2.5 to 10)	Extended, push only	115V AC 1.5VA
	VS26SA22DF313A	NC	Sol/Spring	External	25 + (0.5 x op. press.)	0 to 145 (0 to 10)	Push only	24V DC 1.2W
	VS26SA22DF318A	NC	Sol/Spring	External	25 + (0.5 x op. press.)	0 to 145 (0 to 10)	Push only	115V AC 1.5VA
	VS26SA22DF213A	NC	Sol/Spring	External	25 + (0.5 x op. press.)	0 to 145 (0 to 10)	Push & turn	24V DC 1.2W
	VS26SA22DF218A	NC	Sol/Spring	External	25 [1.7] + (7.3 [0.5] x op. press.)	0 to 145 (0 to 10)	Push & turn	115V AC 1.5VA
	VS26SA22DF513A	NC	Sol/Spring	External	25 + (0.5 x op. press.)	0 to 145 (0 to 10)	Extended, push only	24V DC 1.2W
	VS26SA22DF518A	NC	Sol/Spring	External	25 + (0.5 x op. press.)	0 to 145 (0 to 10)	Extended, push only	115V AC 1.5VA
	VS26SB11DF313A	NO	Sol/Spring	Internal	-	36 to 145 (2.5 to 10)	Push only	24V DC 1.2W
	VS26SB11DF318A	NO	Sol/Spring	Internal	-	36 to 145 (2.5 to 10)	Push only	115V AC 1.5VA
	VS26SB11DF213A	NO	Sol/Spring	Internal	-	36 to 145 (2.5 to 10)	Push & turn	24V DC 1.2W
	VS26SB11DF218A	NO	Sol/Spring	Internal	-	36 to 145 (2.5 to 10)	Push & turn	115V AC 1.5VA
	VS26SB11DF513A	NO	Sol/Spring	Internal	-	36 to 145 (2.5 to 10)	Extended, push only	24V DC 1.2W
	VS26SB11DF518A	NO	Sol/Spring	Internal	-	36 to 145 (2.5 to 10)	Extended, push only	115V AC 1.5VA
	VS26SB22DF313A	NO	Sol/Spring	External	25 + (0.5 x op. press.)	0 to 145 (0 to 10)	Push only	24V DC 1.2W
	VS26SB22DF318A	NO	Sol/Spring	External	25 + (0.5 x op. press.)	0 to 145 (0 to 10)	Push only	115V AC 1.5VA
	VS26SB22DF213A	NO	Sol/Spring	External	25 + (0.5 x op. press.)	0 to 145 (0 to 10)	Push & turn	24V DC 1.2W
	VS26SB22DF218A	NO	Sol/Spring	External	25 + (0.5 x op. press.)	0 to 145 (0 to 10)	Push & turn	115V AC 1.5VA
	VS26SB22DF513A	NO	Sol/Spring	External	25 + (0.5 x op. press.)	0 to 145 (0 to 10)	Extended, push only	24V DC 1.2W
	VS26SB22DF518A	NO	Sol/Spring	External	25 + (0.5 x op. press.)	0 to 145 (0 to 10)	Extended, push only	115V AC 1.5VA
	VS26SC11DF313A	NO/NC	Sol/Spring	Internal	-	36 to 145 (2.5 to 10)	Push only	24V DC 1.2W
	VS26SC11DF318A	NO/NC	Sol/Spring	Internal	-	36 to 145 (2.5 to 10)	Push only	115V AC 1.5VA
	VS26SC11DF213A	NO/NC	Sol/Spring	Internal	-	36 to 145 (2.5 to 10)	Push & turn	24V DC 1.2W
	VS26SC11DF218A	NO/NC	Sol/Spring	Internal	-	36 to 145 (2.5 to 10)	Push & turn	115V AC 1.5VA
	VS26SC11DF513A	NO/NC	Sol/Spring	Internal	-	36 to 145 (2.5 to 10)	Extended, push only	24V DC 1.2W
	VS26SC11DF518A	NO/NC	Sol/Spring	Internal	-	36 to 145 (2.5 to 10)	Extended, push only	115V AC 1.5VA
	VS26SC22DF313A	NO/NC	Sol/Spring	External	25 + (0.5 x op. press.)	0 to 145 (0 to 10)	Push only	24V DC 1.2W
	VS26SC22DF318A	NO/NC	Sol/Spring	External	25 + (0.5 x op. press.)	0 to 145 (0 to 10)	Push only	115V AC 1.5VA
	VS26SC22DF213A	NO/NC	Sol/Spring	External	25 + (0.5 x op. press.)	0 to 145 (0 to 10)	Push & turn	24V DC 1.2W
	VS26SC22DF218A	NO/NC	Sol/Spring	External	25 + (0.5 x op. press.)	0 to 145 (0 to 10)	Push & turn	115V AC 1.5VA
	VS26SC22DF513A	NO/NC	Sol/Spring	External	25 + (0.5 x op. press.)	0 to 145 (0 to 10)	Extended, push only	24V DC 1.2W
	VS26SC22DF518A	NO/NC	Sol/Spring	External	25 + (0.5 x op. press.)	0 to 145 (0 to 10)	Extended, push only	115V AC 1.5VA

Valve functions designations:

NO = Normally open

NC = Normally closed

# Valve Manifolds VS26 Series

Plug-in Mini ISO Valves

2x2/2, 2x3/2, 5/2 and 5/3 valves, ISO 15407-2,

Size 26 mm

## 5/2 Single and double solenoid actuated Glandless valves flow = 1.02 Cv (1000 l/min)

Model	Function	Actuation	Pilot supply	Pilot pressure psi (bar)	Operating pressure psi (bar)	Manual override	Voltage
VS26G511DF313A	5/2	Sol/Sol	Internal	-	29 to 145 (2 to 10)	Push only	24V DC 1.2W
VS26G511DF318A	5/2	Sol/Sol	Internal	-	29 to 145 (2 to 10)	Push only	115V AC 1.5VA
VS26G511DF213A	5/2	Sol/Sol	Internal	-	29 to 145 (2 to 10)	Push & turn	24V DC 1.2W
VS26G511DF218A	5/2	Sol/Sol	Internal	-	29 to 145 (2 to 10)	Push & turn	115V AC 1.5VA
VS26G511DF513A	5/2	Sol/Sol	Internal	-	29 to 145 (2 to 10)	Extended, push only	24V DC 1.2W
VS26G511DF518A	5/2	Sol/Sol	Internal	-	29 to 145 (2 to 10)	Extended, push only	115V AC 1.5VA
VS26G522DF313A	5/2	Sol/Sol	External	29 to 145 (2 to 10)	26" Hg to 232 (-0.9 to 16)	Push only	24V DC 1.2W
VS26G522DF318A	5/2	Sol/Sol	External	29 to 145 (2 to 10)	26" Hg to 232 (-0.9 to 16)	Push only	115V AC 1.5VA
VS26G522DF213A	5/2	Sol/Sol	External	29 to 145 (2 to 10)	26" Hg to 232 (-0.9 to 16)	Push & turn	24V DC 1.2W
VS26G522DF218A	5/2	Sol/Sol	External	29 to 145 (2 to 10)	26" Hg to 232 (-0.9 to 16)	Push & turn	115V AC 1.5VA
VS26G522DF513A	5/2	Sol/Sol	External	29 to 145 (2 to 10)	26" Hg to 232 (-0.9 to 16)	Extended, push only	24V DC 1.2W
VS26G522DF518A	5/2	Sol/Sol	External	29 to 145 (2 to 10)	26" Hg to 232 (-0.9 to 16)	Extended, push only	115V AC 1.5VA
VS26G517DF313A	5/2	Sol/Spring	Internal	-	23 to 145 (1.6 to 10)	Push only	24V DC 1.2W
VS26G517DF318A	5/2	Sol/Spring	Internal	-	23 to 145 (1.6 to 10)	Push only	115V AC 1.5VA
VS26G517DF213A	5/2	Sol/Spring	Internal	-	23 to 145 (1.6 to 10)	Push & turn	24V DC 1.2W
VS26G517DF218A	5/2	Sol/Spring	Internal	-	23 to 145 (1.6 to 10)	Push & turn	115V AC 1.5VA
VS26G517DF513A	5/2	Sol/Spring	Internal	-	23 to 145 (1.6 to 10)	Extended, push only	24V DC 1.2W
VS26G517DF518A	5/2	Sol/Spring	Internal	-	23 to 145 (1.6 to 10)	Extended, push only	115V AC 1.5VA
VS26G527DF313A	5/2	Sol/Spring	External	23 to 145 (1.6 to 10)	26" Hg to 232 (-0.9 to 16)	Push only	24V DC 1.2W
VS26G527DF318A	5/2	Sol/Spring	External	23 to 145 (1.6 to 10)	26" Hg to 232 (-0.9 to 16)	Push only	115V AC 1.5VA
VS26G527DF213A	5/2	Sol/Spring	External	23 to 145 (1.6 to 10)	26" Hg to 232 (-0.9 to 16)	Push & turn	24V DC 1.2W
VS26G527DF218A	5/2	Sol/Spring	External	23 to 145 (1.6 to 10)	26" Hg to 232 (-0.9 to 16)	Push & turn	115V AC 1.5VA
VS26G527DF513A	5/2	Sol/Spring	External	23 to 145 (1.6 to 10)	26" Hg to 232 (-0.9 to 16)	Extended, push only	24V DC 1.2W
VS26G527DF518A	5/2	Sol/Spring	External	23 to 145 (1.6 to 10)	26" Hg to 232 (-0.9 to 16)	Extended, push only	115V AC 1.5VA

## 5/2 Single and double solenoid actuated Softseal valves flow = 1.37 Cv (1350 L/min)

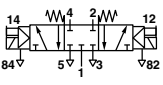
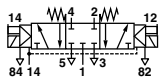
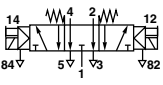
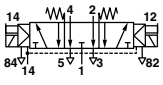
Model	Function	Actuation	Pilot supply	Pilot pressure psi (bar)	Operating pressure psi (bar)	Manual override	Voltage
VS26S511DF313A	5/2	Sol/Sol	Internal	-	29 to 145 (2 to 10)	Push only	24V DC 1.2W
VS26S511DF318A	5/2	Sol/Sol	Internal	-	29 to 145 (2 to 10)	Push only	115V AC 1.5VA
VS26S511DF213A	5/2	Sol/Sol	Internal	-	29 to 145 (2 to 10)	Push & turn	24V DC 1.2W
VS26S511DF218A	5/2	Sol/Sol	Internal	-	29 to 145 (2 to 10)	Push & turn	115V AC 1.5VA
VS26S511DF513A	5/2	Sol/Sol	Internal	-	29 to 145 (2 to 10)	Extended, push only	24V DC 1.2W
VS26S511DF518A	5/2	Sol/Sol	Internal	-	29 to 145 (2 to 10)	Extended, push only	115V AC 1.5VA
VS26S522DF313A	5/2	Sol/Sol	External	29 to 145 (2 to 10)	26" Hg to 145 (-0.9 to 10)	Push only	24V DC 1.2W
VS26S522DF318A	5/2	Sol/Sol	External	29 to 145 (2 to 10)	26" Hg to 145 (-0.9 to 10)	Push only	115V AC 1.5VA
VS26S522DF213A	5/2	Sol/Sol	External	29 to 145 (2 to 10)	26" Hg to 145 (-0.9 to 10)	Push & turn	24V DC 1.2W
VS26S522DF218A	5/2	Sol/Sol	External	29 to 145 (2 to 10)	26" Hg to 145 (-0.9 to 10)	Push & turn	115V AC 1.5VA
VS26S522DF513A	5/2	Sol/Sol	External	29 to 145 (2 to 10)	26" Hg to 145 (-0.9 to 10)	Extended, push only	24V DC 1.2W
VS26S522DF518A	5/2	Sol/Sol	External	29 to 145 (2 to 10)	26" Hg to 145 (-0.9 to 10)	Extended, push only	115V AC 1.5VA
VS26S517DF313A	5/2	Sol/Spring	Internal	-	29 to 145 (2 to 10)	Push only	24V DC 1.2W
VS26S517DF318A	5/2	Sol/Spring	Internal	-	29 to 145 (2 to 10)	Push only	115V AC 1.5VA
VS26S517DF213A	5/2	Sol/Spring	Internal	-	29 to 145 (2 to 10)	Push & turn	24V DC 1.2W
VS26S517DF218A	5/2	Sol/Spring	Internal	-	29 to 145 (2 to 10)	Push & turn	115V AC 1.5VA
VS26S517DF513A	5/2	Sol/Spring	Internal	-	29 to 145 (2 to 10)	Extended, push only	24V DC 1.2W
VS26S517DF518A	5/2	Sol/Spring	Internal	-	29 to 145 (2 to 10)	Extended, push only	115V AC 1.5VA
VS26S527DF313A	5/2	Sol/Spring	External	29 to 145 (2 to 10)	26" Hg to 145 (-0.9 to 10)	Push only	24V DC 1.2W
VS26S527DF318A	5/2	Sol/Spring	External	29 to 145 (2 to 10)	26" Hg to 145 (-0.9 to 10)	Push only	115V AC 1.5VA
VS26S527DF213A	5/2	Sol/Spring	External	29 to 145 (2 to 10)	26" Hg to 145 (-0.9 to 10)	Push & turn	24V DC 1.2W
VS26S527DF218A	5/2	Sol/Spring	External	29 to 145 (2 to 10)	26" Hg to 145 (-0.9 to 10)	Push & turn	115V AC 1.5VA
VS26S527DF513A	5/2	Sol/Spring	External	29 to 145 (2 to 10)	26" Hg to 145 (-0.9 to 10)	Extended, push only	24V DC 1.2W
VS26S527DF518A	5/2	Sol/Spring	External	29 to 145 (2 to 10)	26" Hg to 145 (-0.9 to 10)	Extended, push only	115V AC 1.5VA

# Valve Manifolds VS26 Series

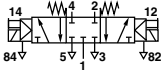
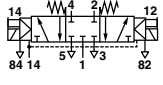
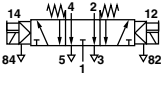
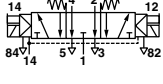
Plug-in Mini ISO Valves

2x2/2, 2x3/2, 5/2 and 5/3 valves, ISO 15407-2, Size 26 mm

## 5/3 Double solenoid actuated Glandless valves flow = 1.02 scfm (1000 l/min)

Model	Function	Actuation	Pilot supply	Pilot pressure psi (bar)	Operating pressure psi (bar)	Manual override	Voltage	
	VS26G611DF313A	APB	Sol/Sol	Internal	-	Push only	24V DC 1.2W	
	VS26G611DF318A	APB	Sol/Sol	Internal	-	Push only	115V AC 1.5VA	
	VS26G611DF213A	APB	Sol/Sol	Internal	-	Push & turn	24V DC 1.2W	
	VS26G611DF218A	APB	Sol/Sol	Internal	-	Push & turn	115V AC 1.5VA	
	VS26G611DF513A	APB	Sol/Sol	Internal	-	Extended, push only	24V DC 1.2W	
	VS26G611DF518A	APB	Sol/Sol	Internal	-	Extended, push only	115V AC 1.5VA	
	VS26G622DF313A	APB	Sol/Sol	External	29 to 145 (2 to 10)	Push only	24V DC 1.2W	
	VS26G622DF318A	APB	Sol/Sol	External	29 to 145 (2 to 10)	Push only	115V AC 1.5VA	
	VS26G622DF213A	APB	Sol/Sol	External	29 to 145 (2 to 10)	26" Hg to 232 (-0.9 to 16)	Push & turn	24V DC 1.2W
	VS26G622DF218A	APB	Sol/Sol	External	29 to 145 (2 to 10)	26" Hg to 232 (-0.9 to 16)	Push & turn	115V AC 1.5VA
	VS26G622DF513A	APB	Sol/Sol	External	29 to 145 (2 to 10)	26" Hg to 232 (-0.9 to 16)	Extended, push only	24V DC 1.2W
	VS26G622DF518A	APB	Sol/Sol	External	29 to 145 (2 to 10)	26" Hg to 232 (-0.9 to 16)	Extended, push only	115V AC 1.5VA
	VS26G711DF313A	COE	Sol/Sol	Internal	-	Push only	24V DC 1.2W	
	VS26G711DF318A	COE	Sol/Sol	Internal	-	Push only	115V AC 1.5VA	
	VS26G711DF213A	COE	Sol/Sol	Internal	-	Push & turn	24V DC 1.2W	
	VS26G711DF218A	COE	Sol/Sol	Internal	-	Push & turn	115V AC 1.5VA	
	VS26G711DF513A	COE	Sol/Sol	Internal	-	Extended, push only	24V DC 1.2W	
	VS26G711DF518A	COE	Sol/Sol	Internal	-	Extended, push only	115V AC 1.5VA	
	VS26G722DF313A	COE	Sol/Sol	External	29 to 145 (2 to 10)	Push only	24V DC 1.2W	
	VS26G722DF318A	COE	Sol/Sol	External	29 to 145 (2 to 10)	Push only	115V AC 1.5VA	
	VS26G722DF213A	COE	Sol/Sol	External	29 to 145 (2 to 10)	26" Hg to 232 (-0.9 to 16)	Push & turn	24V DC 1.2W
	VS26G722DF218A	COE	Sol/Sol	External	29 to 145 (2 to 10)	26" Hg to 232 (-0.9 to 16)	Push & turn	115V AC 1.5VA
	VS26G722DF513A	COE	Sol/Sol	External	29 to 145 (2 to 10)	26" Hg to 232 (-0.9 to 16)	Extended, push only	24V DC 1.2W
	VS26G722DF518A	COE	Sol/Sol	External	29 to 145 (2 to 10)	26" Hg to 232 (-0.9 to 16)	Extended, push only	115V AC 1.5VA

## 5/3 Double solenoid actuated Softseal valves flow = 1.37 Cv (1350 L/min)

Model	Function	Actuation	Pilot supply	Pilot pressure psi (bar)	Operating pressure psi (bar)	Manual override	Voltage	
	VS26S611DF313A	APB	Sol/Sol	Internal	-	Push only	24V DC 1.2W	
	VS26S611DF318A	APB	Sol/Sol	Internal	-	Push only	115V AC 1.5VA	
	VS26S611DF213A	APB	Sol/Sol	Internal	-	Push & turn	24V DC 1.2W	
	VS26S611DF218A	APB	Sol/Sol	Internal	-	Push & turn	115V AC 1.5VA	
	VS26S611DF513A	APB	Sol/Sol	Internal	-	Extended, push only	24V DC 1.2W	
	VS26S611DF518A	APB	Sol/Sol	Internal	-	Extended, push only	115V AC 1.5VA	
	VS26S622DF313A	APB	Sol/Sol	External	36 to 145 (2.5 to 10)	Push only	24V DC 1.2W	
	VS26S622DF318A	APB	Sol/Sol	External	36 to 145 (2.5 to 10)	26" Hg to 145 (-0.9 to 10)	Push only	115V AC 1.5VA
	VS26S622DF213A	APB	Sol/Sol	External	36 to 145 (2.5 to 10)	26" Hg to 145 (-0.9 to 10)	Push & turn	24V DC 1.2W
	VS26S622DF218A	APB	Sol/Sol	External	36 to 145 (2.5 to 10)	26" Hg to 145 (-0.9 to 10)	Push & turn	115V AC 1.5VA
	VS26S622DF513A	APB	Sol/Sol	External	36 to 145 (2.5 to 10)	26" Hg to 145 (-0.9 to 10)	Extended, push only	24V DC 1.2W
	VS26S622DF518A	APB	Sol/Sol	External	36 to 145 (2.5 to 10)	26" Hg to 145 (-0.9 to 10)	Extended, push only	115V AC 1.5VA
	VS26S711DF313A	COE	Sol/Sol	Internal	-	Push only	24V DC 1.2W	
	VS26S711DF318A	COE	Sol/Sol	Internal	-	Push only	115V AC 1.5VA	
	VS26S711DF213A	COE	Sol/Sol	Internal	-	Push & turn	24V DC 1.2W	
	VS26S711DF218A	COE	Sol/Sol	Internal	-	Push & turn	115V AC 1.5VA	
	VS26S711DF513A	COE	Sol/Sol	Internal	-	Extended, push only	24V DC 1.2W	
	VS26S711DF518A	COE	Sol/Sol	Internal	-	Extended, push only	115V AC 1.5VA	
	VS26S722DF313A	COE	Sol/Sol	External	36 to 145 (2.5 to 10)	Push only	24V DC 1.2W	
	VS26S722DF318A	COE	Sol/Sol	External	36 to 145 (2.5 to 10)	Push only	115V AC 1.5VA	
	VS26S722DF213A	COE	Sol/Sol	External	36 to 145 (2.5 to 10)	26" Hg to 145 (-0.9 to 10)	Push & turn	24V DC 1.2W
	VS26S722DF218A	COE	Sol/Sol	External	36 to 145 (2.5 to 10)	26" Hg to 145 (-0.9 to 10)	Push & turn	115V AC 1.5VA
	VS26S722DF513A	COE	Sol/Sol	External	36 to 145 (2.5 to 10)	26" Hg to 145 (-0.9 to 10)	Extended, push only	24V DC 1.2W
	VS26S722DF518A	COE	Sol/Sol	External	36 to 145 (2.5 to 10)	26" Hg to 145 (-0.9 to 10)	Extended, push only	115V AC 1.5VA

APB = All ports blocked  
COE = Center open to exhaust

# Valve Manifolds VS26 Series

Plug-in Mini ISO Valves

2x2/2, 2x3/2, 5/2 and 5/3 valves, ISO 15407-2,

Size 26 mm

## Valve part no. breakdown

VS26\*\*\*\*DF\*\*\*\*A

Spool technology	Substitute
Glandless spool & sleeve	G
Softseal spool	S
Guiding systems	Substitute
2x3/2 Normally closed 1)	A
2x3/2 Normally open 1)	B
2x3/2 Normally open/Normally closed 1)	C
2x2/2 Normally closed 1)	E
2x2/2 Normally open 1)	F
2x2/2 Normally open/Normally closed 1)	G
5/2	5
5/3 All ports blocked	6
5/3 Center open exhaust	7

1) Available with softseal spool only

Voltage	Substitute
24V DC 1.2W	13
115V AC 1.5VA	18

Manual override	Substitute
Push & turn	2
Push only	3
Extended, push only	5

Actuation/Pilot supply	Substitute
Solenoid/Spring	17
Internal pilot supply	
Solenoid/Spring	27
External pilot supply	
Solenoid/Solenoid	11
Internal pilot supply	
Solenoid/Solenoid	22
External pilot supply	

2) Available with glandless spool & sleeve only

## Electrical details for solenoid operators

Voltage tolerances	(24V DC) +/- 10%
Voltage tolerances	(115V AC) +15%/-10%
Rating	100 % Continuous duty
Inlet orifice	0.8 mm
Indication	LED green
Surge suppression	Transil diode
Materials	PPS (body), Viton and NBR (seal)

## Protection classification (IP Code)

All VS26 valve manifolds fulfill IP65 and NEMA4 ratings.

## Power supply and precautions

All VS26 24 V d.c products are designed to be used with a protective extra low voltage (PELV) power supply.

All VS26 115 V a.c products correspond to the protection class I.

Connection of the protective earth (PE) ground is required.

## UL/CSA approval

Recognized to UL 429 - 5th edition & CSA 22.2 No.139 - 1982 for Electrically Operated Valves.

NOTE: 24V DC valves only.



## ATEX

The 24 V d.c Multipole and Fieldbus valve manifolds fulfill the requirement of the standard 94/9/EC for intended use in hazardous locations.

Equipment group, category, type of protection:



The Declaration of Conformity of the valve islands was conducted by Electrosuisse, who issued number SEV 04 ATEX 0114 X.

Please review all ATEX data and notes in the maintenance and instruction booklet to eliminate any risks, allowing for safe function of the valve manifolds.

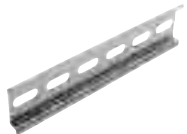
# Valve Manifolds VS26 Series

## Plug-in Mini ISO Valves

2x2/2, 2x3/2, 5/2 and 5/3 valves, ISO 15407-2, Size 26 mm

### Accessories

DIN EN 50 022 rail 3 ft  
(1 meter)



V10009-C00 35 x 7.5 mm  
V10592-C01 35 x 15 mm

DIN-rail mounting kit



V70531-KA0

Blanking disc to modular sub-base



V70522-K00 (Ports 1, 3, 5)  
V70523-K00 (Ports 12/14)

Manual override set-up kit



VS2672906-KG00

Extended manual override kit



VS2672960-KG00

Spare valve identification labels 1)



VS2672905-KG00 (10 pcs)

Blanking plug for base connector hole 2)

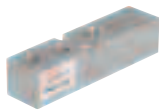


VS2672914-KG00

- 1) When purchasing assembled valve manifolds from Norgren, valve identification labels are included.  
2) When V44/V45 valves are fitted on VS18 bases.

### Base accessories

Intermediate supply/exhaust module



VS2672902-RG00 (NPTF1/4)  
VS2672902-BG00 (G1/4)

Blanking plate



VS2672904-KG00

Replacement gauge



V70534-500

Pilot valves

Part no.	Description*	Voltage	Manual override
VS2672930-KG00	Pilot valve	24V DC 1.2W	Push only
VS2672932-KG00	Pilot valve	24V DC 1.2W	Push & turn
VS2672934-KG00	Pilot valve	24V DC 1.2W	Extended, push only
VS2672931-KG00	Pilot valve	115V AC 1.5VA	Push only
VS2672933-KG00	Pilot valve	115V AC 1.5VA	Push & turn
VS2672935-KG00	Pilot valve	115V AC 1.5VA	Extended, push only

\* Kit includes screws, gasket and V-ring

### Sandwich plates

Single pressure regulator



VS2672900-KG10 (port 1)  
VS2672900-KG20 (port 2)  
VS2672900-KG30 (port 4)

Double pressure regulator plate



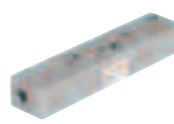
VS2672900-KG40 (port 2+4)

Flow control plate



VS2672901-KG00 (ports 3+5)

Sandwich plate with additional port 1



VS2672929-KG00 (NPTF 1/4)  
VS2672928-KG00 (G1/4)

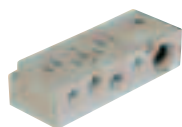
Single valve shut-off plate



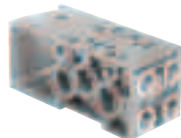
VS2672903-KG00 (port 1)

### Sub-bases and end plates

Single station sub-base



Double station modular sub-base



Single station modular sub-base



End plate kit



See page VAL-34

See page VAL-48 for additional information

# Valve Manifolds VS26 Series

Plug-in Mini ISO Valves

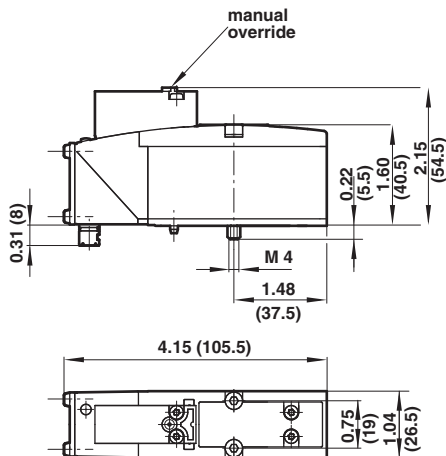
2x2/2, 2x3/2, 5/2 and 5/3 valves, ISO 15407-2,

Size 26 mm

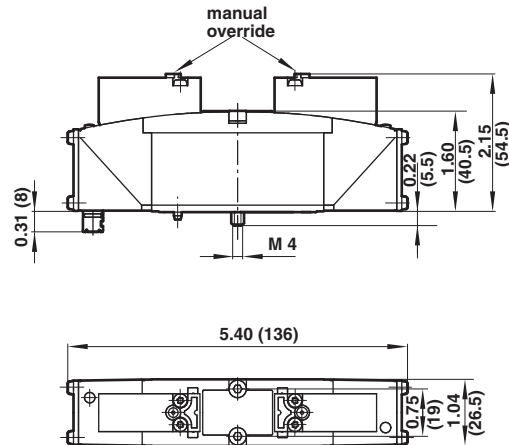
Dimensions in inches (mm)

## Valve dimensions

VS26\*5\*7DF\*1\*A models  
5/2 Single solenoid pilot valve  
Mechanical spring return



VS26\*\*\*\*DF\*1\*A models  
2x2/2, 2x3/2, 5/2 and 5/3 Double solenoid pilot valve



# Valve Manifolds VS26 Series

## Plug-in Mini ISO Valves

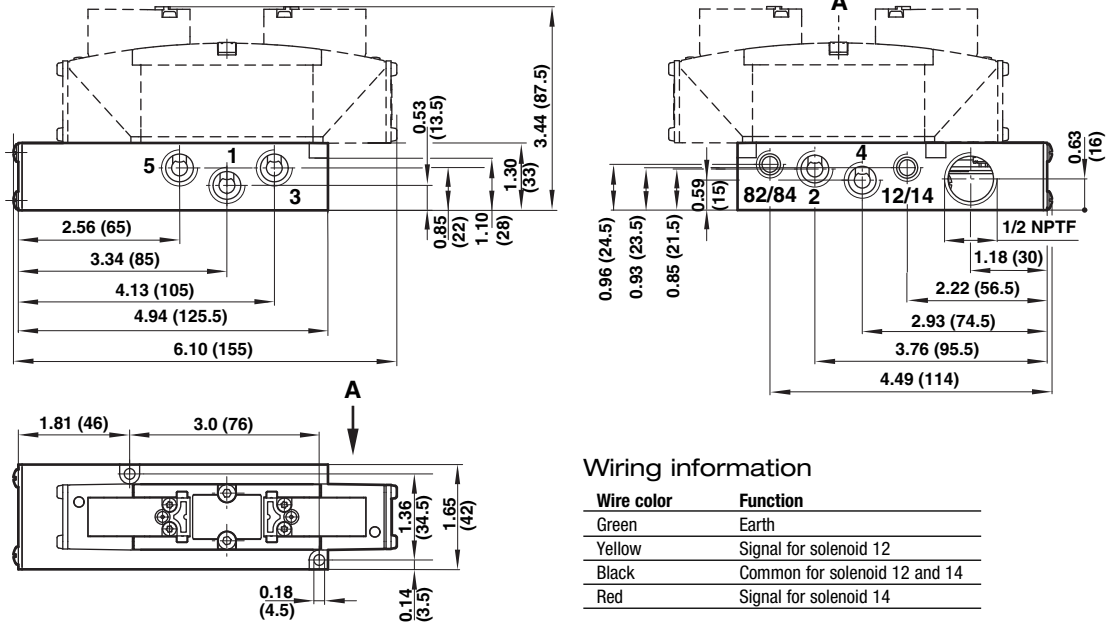
2x2/2, 2x3/2, 5/2 and 5/3 valves, ISO 15407-2, Size 26 mm

Dimensions in inches (mm)

### Single station sub-base

Model	Description	Ports 1, 3 & 5	Ports 12/14 & 82/84	Ports 2 & 4	Connector type
VS2672510-RG00	Single station sub-base for 24V DC	NPTF1/4	NPTF1/8	NPTF1/4	M12
VS2672511-RG00	Single station sub-base for 24V DC and 115V AC	NPTF1/4	NPTF1/8	NPTF1/4	NPTF1/2 conduit
VS2672510-BG00	Single station sub-base for 24V DC	G1/4	G1/8	G1/4	M12

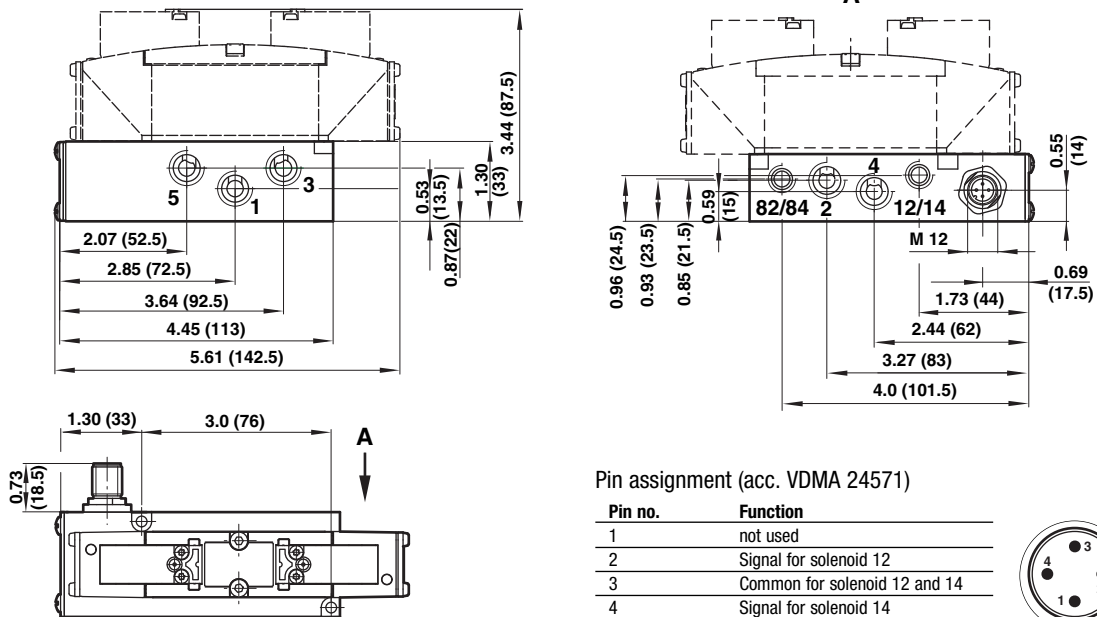
Connector type: NPTF1/2 Conduit with flying leads



### Wiring information

Wire color	Function
Green	Earth
Yellow	Signal for solenoid 12
Black	Common for solenoid 12 and 14
Red	Signal for solenoid 14

Connector type: M12



### Pin assignment (acc. VDMA 24571)

Pin no.	Function
1	not used
2	Signal for solenoid 12
3	Common for solenoid 12 and 14
4	Signal for solenoid 14



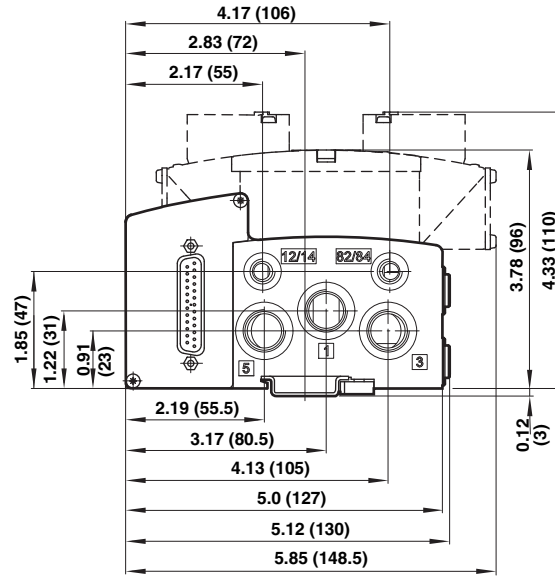
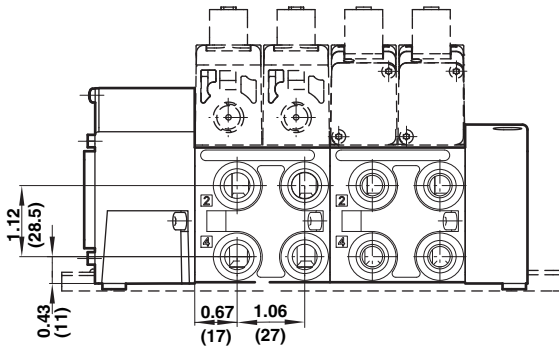
# Valve Manifolds VS26 Series

Plug-in Mini ISO Valves

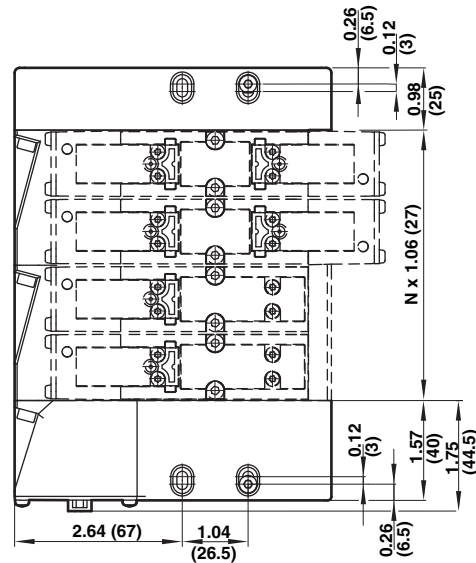
2x2/2, 2x3/2, 5/2 and 5/3 valves, ISO 15407-2,

Size 26 mm

Valve manifolds dimensions



Electrical connection	Min. no of valve stations	Max. no of valve stations
Multipole	2	16
AS-Interface	2	8
Other Fieldbus protocols	4	16



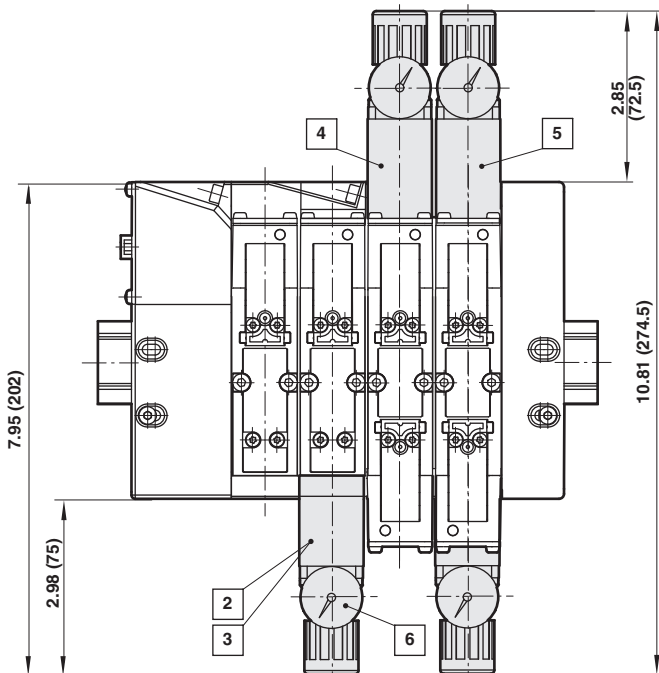
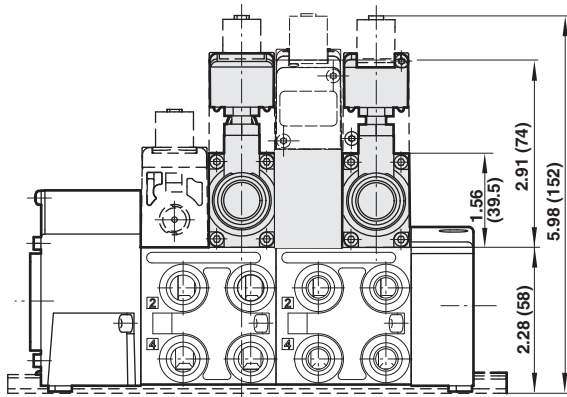
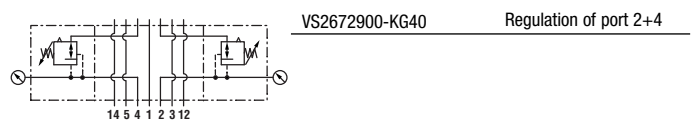
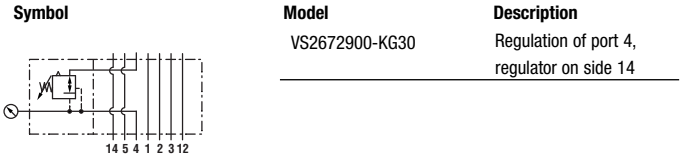
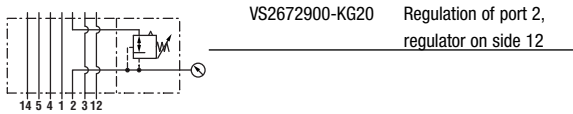
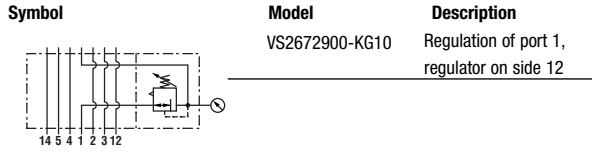
**N** Number of station

# Valve Manifolds VS26 Series

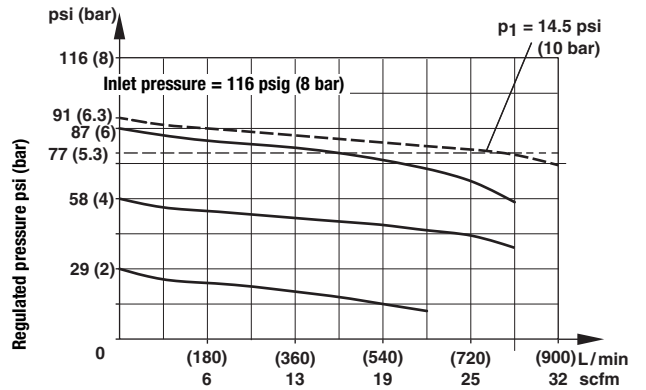
Plug-in Mini ISO Valves

2x2/2, 2x3/2, 5/2 and 5/3 valves, ISO 15407-2, Size 26 mm

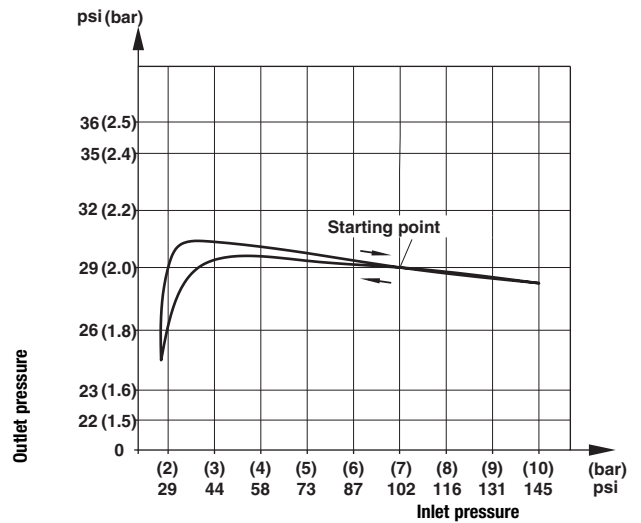
## Pressure regulator sandwich plates



Flow characteristics for pressure regulator plates



Hysteresis



- 2** Regulation of port 1
- 3** Regulation of port 2
- 4** Regulation of port 4
- 5** Regulation of port 2+4
- 6** Gauge

Gauge part number = V70534-500

# Valve Manifolds VS26 Series

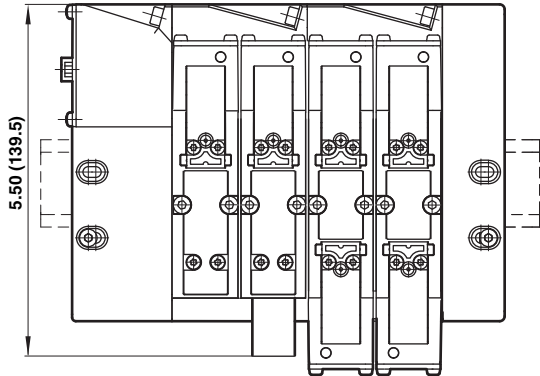
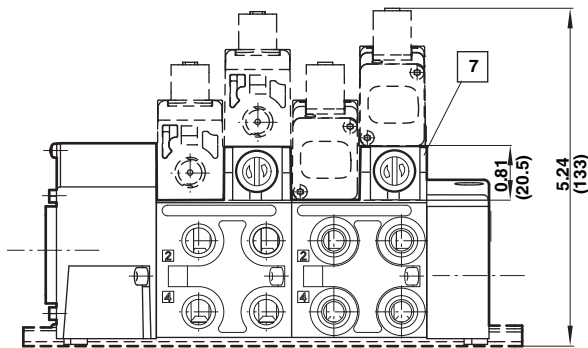
Plug-in Mini ISO Valves

2x2/2, 2x3/2, 5/2 and 5/3 valves, ISO 15407-2,

Size 26 mm

## Flow control sandwich plate

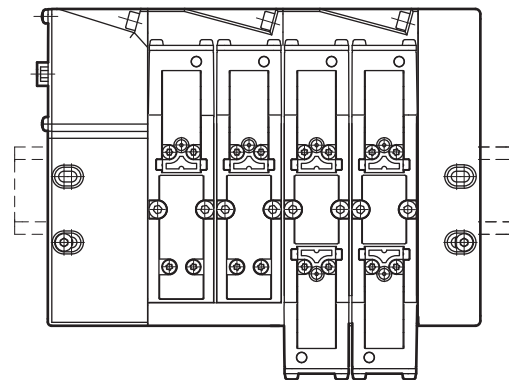
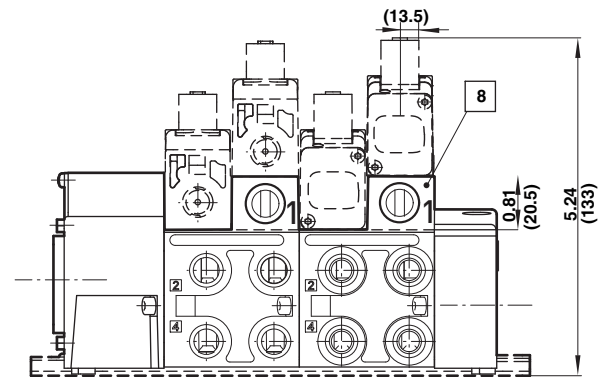
Symbol	Model	Description
	VS2672901-KG00	Flow control supplied with gasket, dual regulation of exhaust ports 3 and 5



7 Flow regulator plate

## Sandwich plate with additional pressure port 1

Symbol	Model	Description
	VS1872928-KF00	Sandwich plate with additional pressure port 1 (G1/4), supplied with gasket
	VS1872929-KF00	Sandwich plate with additional pressure port 1 (NPTF1/4), supplied with gasket

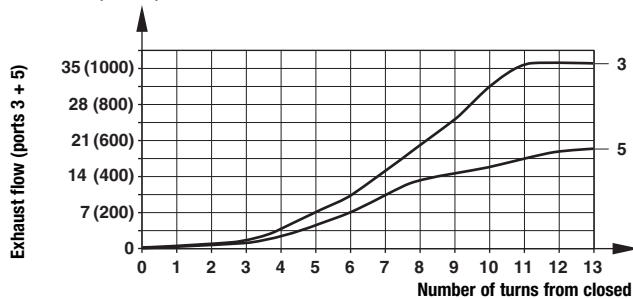


8 Sandwich plate with additional pressure port 1

## Flow characteristics

Dual regulation of exhaust ports 3 and 5

(L/min)



Flow: port 1-2 and 1-4: remains unchanged.

Flow measured at 87 psi (6 bar) inlet, pressure drop 14.5 psi (1 bar)

# Valve Manifolds VS26 Series

Plug-in Mini ISO Valves

2x2/2, 2x3/2, 5/2 and 5/3 valves, ISO 15407-2, Size 26 mm

## Single valve shut-off plate

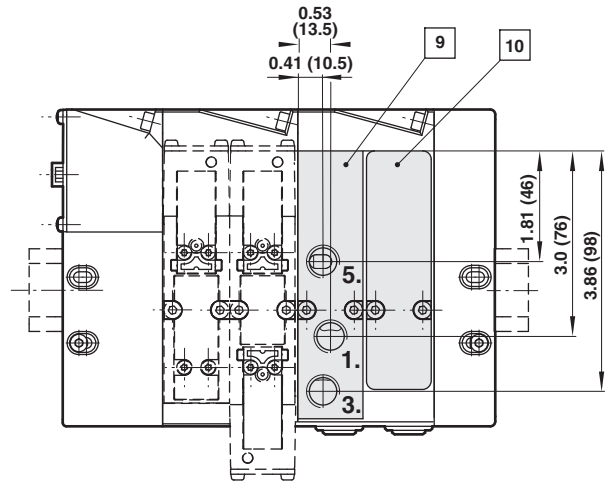
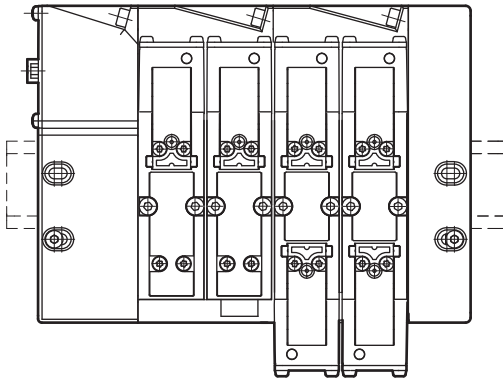
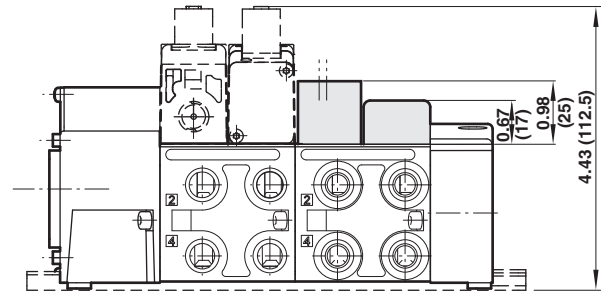
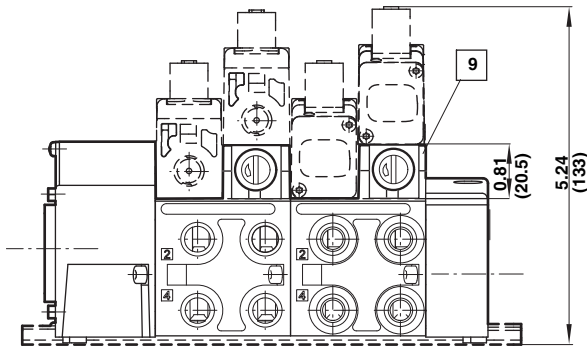
Symbol	Model	Description
	VS2672903-KG00	Single valve shut-off plate supplied with gasket

Allows individual exchange of valve while valve island is pressurised by port 1.

Flow restricted to max. Cv 0.56 (550 L/min.)

## Base accessories

Model	Description
VS2672902-RG00	Intermediate supply/exhaust module, port size NPTF 1/4
VS2672902-BG00	Intermediate supply/exhaust module, port size G1/4
VS2672902-KG00	Blanking plate for blocking of unused station (supplied with gasket)



- 9** Single valve shut-off plate
- 10** Intermediate supply/exhaust module
- 11** Blanking plate

# Valve Manifolds VS26 Series

Plug-in Mini ISO Valves

2x2/2, 2x3/2, 5/2 and 5/3 valves, ISO 15407-2,

Size 26 mm

## Multi pressure configurations

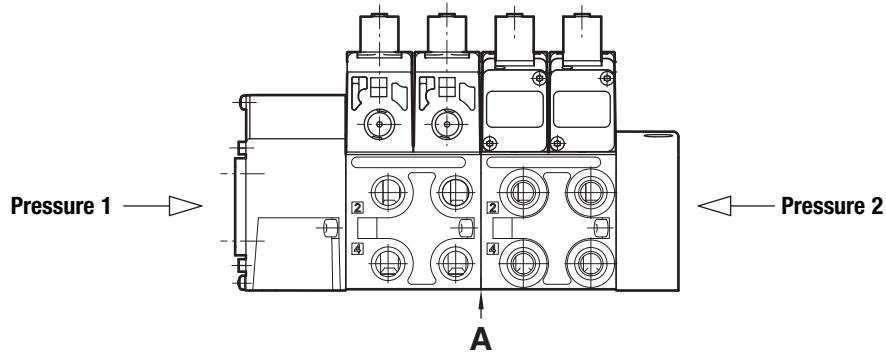
**A**

Blanking disc	Type
V70522-K00	Suitable for ports 1, 3 or 5

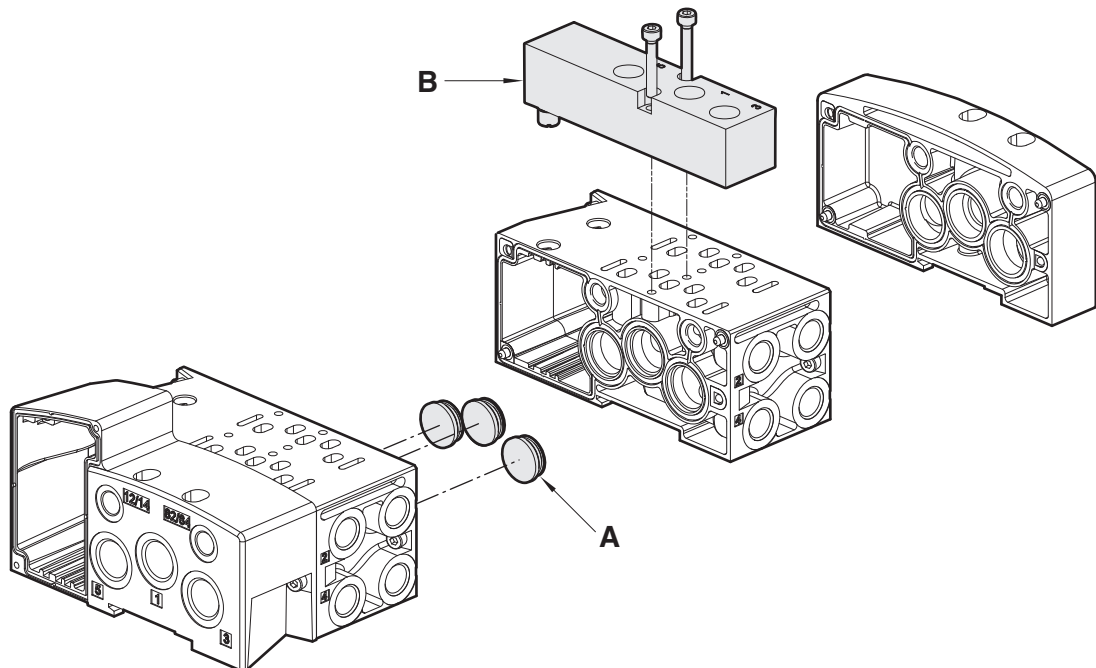
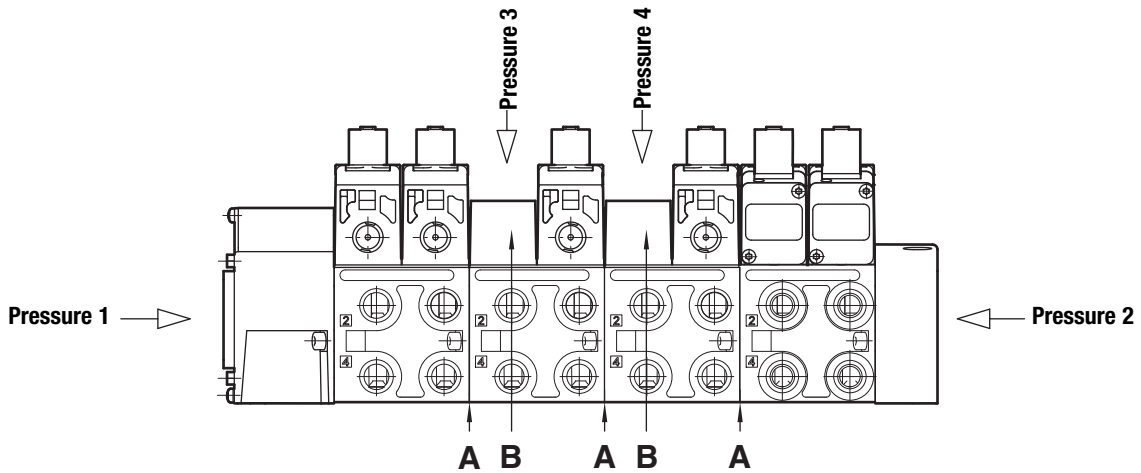
**B**

Intermediate supply/exhaust module	Type
VS2672902-RG00A	NPTF1/4
VS2672902-BG00A	G1/4

Dual pressure



Multi pressure



# Valve Manifolds VS26 Series

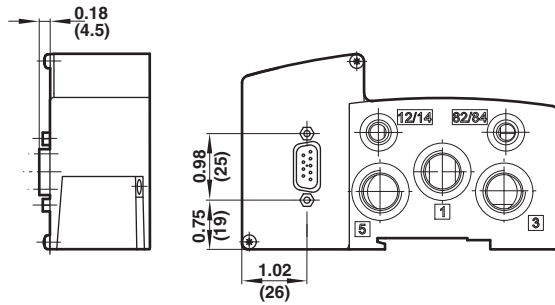
Plug-in Mini ISO Valves

2x2/2, 2x3/2, 5/2 and 5/3 valves, ISO 15407-2, Size 26 mm

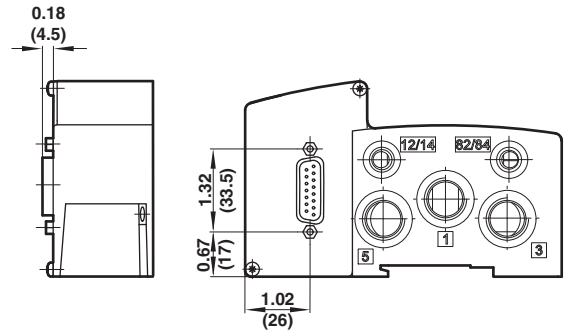
## Multipole options

Connector type	Voltage	No. of stations	Max. no. coils
D-Sub 9-pin	24V DC	02/03/04	8
D-Sub 15-pin	24V DC	02/03/04/05/06/07	14
D-Sub 25-pin	24V DC	02/03/04/05/06/07/08/09/10/11/12	24
D-Sub 44-pin	24V DC	08/09/10/11/12/13/14/15/16	32
M23 19-pin	115 V AC, 24 V DC	02/03/04/05/06/07/08	16
NPTF1 Conduit entry with terminals	115V AC, 24V DC	02/03/04/05/06/07/08/09/10/11/12	24

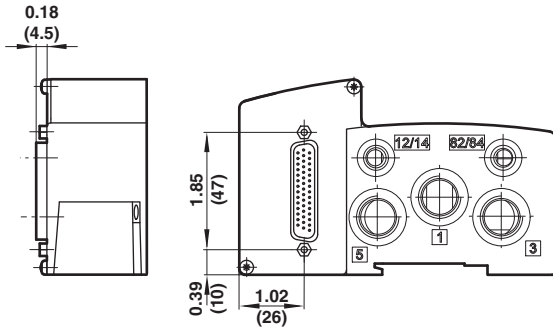
D-Sub 9-pin



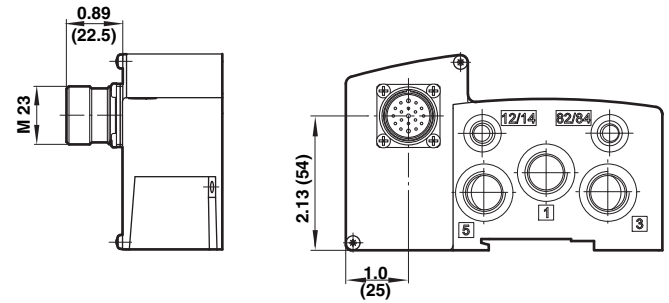
D-Sub 15-pin



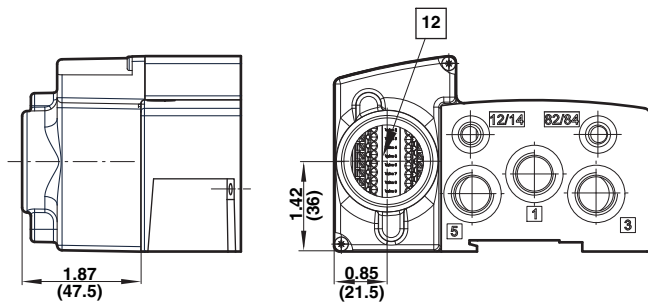
D-Sub 25-pin / 44-pin



M23 19-pin



NPTF1 Conduit entry with terminals



12 Max. wire size AWG18

# Valve Manifolds VS26 Series

Plug-in Mini ISO Valves

2x2/2, 2x3/2, 5/2 and 5/3 valves, ISO 15407-2,

Size 26 mm

## Multipole accessories

D-Sub connector 9-pin IP65 <sup>1)</sup>



VS2672910-KG00	3' (1m)
VS2672911-KG00	10' (3m)
VS2672912-KG00	16' (5m)

D-Sub connector 15-pin IP65 <sup>1)</sup>



VS2672915-KG00	3' (1m)
VS2672916-KG00	10' (3m)
VS2672917-KG00	16' (5m)

D-Sub connector 25-pin IP65 <sup>1)</sup>



V11569-E01	3' (1m)
V11569-E03	10' (3m)
V11569-E05	16' (5m)

D-Sub connector 44-pin IP65 <sup>1)</sup>



V11570-E01	3' (1m)
V11570-E03	10' (3m)
V11570-E05	16' (5m)

M23 connector 19-pin IP65 <sup>1)</sup>



VS2672943-KG00	3' (1m)
VS2672944-KG00	10' (3m)
VS2672945-KG00	16' (5m)

<sup>1)</sup> Required for ATEX

### D-Sub connector 9-pin<sup>A)</sup>

Pin no.	Wire color	Socket	Pilot	Station
1	White	Solenoid 1-a	14	1
2	Brown	Solenoid 2-a	14	2
3	Green	Solenoid 3-a	14	3
4	Yellow	Solenoid 4-a	14	4
5	Grey	Solenoid 1-b	12	1
6	Pink	Solenoid 2-b	12	2
7	Blue	Solenoid 3-b	12	3
8	Red	Solenoid 4-b	12	4
9	Black	Common	-	-

### D-Sub connector 25-pin<sup>A)</sup>

Pin no.	Wire color	Socket	Pilot	Station
1	White	Solenoid 1-a	14	1
2	Brown	Solenoid 2-a	14	2
3	Green	Solenoid 3-a	14	3
4	Yellow	Solenoid 4-a	14	4
5	Grey	Solenoid 5-a	14	5
6	Pink	Solenoid 6-a	14	6
7	Blue	Solenoid 7-a	14	7
8	Red	Solenoid 8-a	14	8
9	Black	Solenoid 9-a	14	9
10	Violet	Solenoid 10-a	14	10
11	Grey/Pink	Solenoid 11-a	14	11
12	Red/Blue	Solenoid 12-a	14	12
13	White/Green	Common	-	-
14	Brown/Green	Solenoid 1-b	12	1
15	White/Yellow	Solenoid 2-b	12	2
16	Yellow/Brown	Solenoid 3-b	12	3
17	White/Grey	Solenoid 4-b	12	4
18	Grey/Brown	Solenoid 5-b	12	5
19	White/Pink	Solenoid 6-b	12	6
20	Pink/Brown	Solenoid 7-b	12	7
21	White/Blue	Solenoid 8-b	12	8
22	Brown/Blue	Solenoid 9-b	12	9
23	White/Red	Solenoid 10-b	12	10
24	Brown/Red	Solenoid 11-b	12	11
25	White/Black	Solenoid 12-b	12	12

### D-Sub connector 15-pin<sup>A)</sup>

Pin no.	Wire color	Socket	Pilot	Station
1	White	Solenoid 1-a	14	1
2	Brown	Solenoid 2-a	14	2
3	Green	Solenoid 3-a	14	3
4	Yellow	Solenoid 4-a	14	4
5	Grey	Solenoid 5-a	14	5
6	Pink	Solenoid 6-a	14	6
7	Blue	Solenoid 7-a	14	7
8	Red	Solenoid 1-b	12	1
9	Black	Solenoid 2-b	12	2
10	Violet	Solenoid 3-b	12	3
11	Grey/Pink	Solenoid 4-b	12	4
12	Red/Blue	Solenoid 5-b	12	5
13	White/Green	Solenoid 6-b	12	6
14	Brown/Green	Solenoid 7-b	12	7
15	White/Yellow	Common	-	-

<sup>A)</sup> According to DIN 47100

# Valve Manifolds VS26 Series

Plug-in Mini ISO Valves

2x2/2, 2x3/2, 5/2 and 5/3 valves, ISO 15407-2, Size 26 mm

## D-Sub connector 44-pin

Pin no.	Wire color	Socket	Pilot	Station
1	white	Solenoid 1-a	14	1
2	brown	Solenoid 2-a	14	2
3	green	Solenoid 3-a	14	3
4	yellow	Solenoid 4-a	14	4
5	grey	Solenoid 5-a	14	5
6	pink	Solenoid 6-a	14	6
7	blue	Solenoid 7-a	14	7
8	red	Solenoid 8-a	14	8
9	black	Solenoid 9-a	14	9
10	violet	Solenoid 10-a	14	10
11	grey/pink	Solenoid 11-a	14	11
12	red/blue	Solenoid 12-a	14	12
13	white/green	Solenoid 13-a	14	13
14	brown/green	Solenoid 14-a	14	14
15	white/yellow	Solenoid 15-a	14	15
16	yellow/brown	Solenoid 1-b	12	1
17	white/grey	Solenoid 2-b	12	2
18	grey/brown	Solenoid 3-b	12	3
19	white/pink	Solenoid 4-b	12	4
20	pink/brown	Solenoid 5-b	12	5
21	white/blue	Solenoid 6-b	12	6
22	brown/blue	Solenoid 7-b	12	7
23	white/red	Solenoid 8-b	12	8
24	brown/red	Solenoid 9-b	12	9
25	white/black	Solenoid 10-b	12	10
26	brown/black	Solenoid 11-b	12	11
27	grey/green	Solenoid 12-b	12	12
28	yellow/grey	Solenoid 13-b	12	13
29	pink/green	Solenoid 14-b	12	14
30	yellow/pink	Solenoid 15-b	12	15
31	green/blue	Solenoid 16-a	14	16
32	yellow/blue	Solenoid 16-b	12	16
33	-	not used	-	-
34	-	not used	-	-
35	-	not used	-	-
36	-	not used	-	-
37	-	not used	-	-
38	-	not used	-	-
39	-	not used	-	-
40	-	not used	-	-
41	-	not used	-	-
42	-	not used	-	-
43	green/black	Common	-	-
44	yellow/black	Common	-	-

## M23 connector 19-pin

Pin no.	Wire color	Socket	Pilot	Station
1	White	Solenoid 8-a	14	8
2	Brown (thin)	Solenoid 6-a	14	6
3	Green	Solenoid 4-a	14	4
4	Yellow	Solenoid 2-b	12	2
5	Grey	Solenoid 2-a	14	2
6	Blue (thick)	Common	-	-
7	Blue (thin)	Solenoid 1-b	12	1
8	Red	Solenoid 3-b	12	3
9	Black	Solenoid 5-b	12	5
10	Violet	Solenoid 7-b	12	7
11	Grey/Pink	Solenoid 7-a	14	7
12	Yellow/Green	Earth	-	-
13	White/Green	Solenoid 6-b	12	6
14	Brown/Green	Solenoid 4-b	12	4
15	White/Yellow	Solenoid 1-a	14	1
16	Yellow/Brown	Solenoid 3-a	14	3
17	Pink	Solenoid 5-a	14	5
18	Red/Blue	Solenoid 8-b	12	8
19	Brown (thick)	NOT USED	-	-

## NPTF1 Conduit entry with terminals 2)

Clamp no.	Socket	Pilot	Station
C1	Solenoid 1-a	14	1
C2	Solenoid 2-a	14	2
C3	Solenoid 3-a	14	3
C4	Solenoid 4-a	14	4
C5	Solenoid 5-a	14	5
C6	Solenoid 6-a	14	6
C7	Solenoid 7-a	14	7
C8	Solenoid 8-a	14	8
C9	Solenoid 9-a	14	9
C10	Solenoid 10-a	14	10
C11	Solenoid 11-a	14	11
C12	Solenoid 12-a	14	12
C13	Solenoid 1-b	12	1
C14	Solenoid 2-b	12	2
C15	Solenoid 3-b	12	3
C16	Solenoid 4-b	12	4
C17	Solenoid 5-b	12	5
C18	Solenoid 6-b	12	6
C19	Solenoid 7-b	12	7
C20	Solenoid 8-b	12	8
C21	Solenoid 9-b	12	9
C22	Solenoid 10-b	12	10
C23	Solenoid 11-b	12	11
C24	Solenoid 12-b	12	12
C25	Common	-	-
C26	Common	-	-
C27	Earth	-	-
C28	Earth	-	-

2) Max. wire size AWG18

# Valve Manifolds VS26 Series

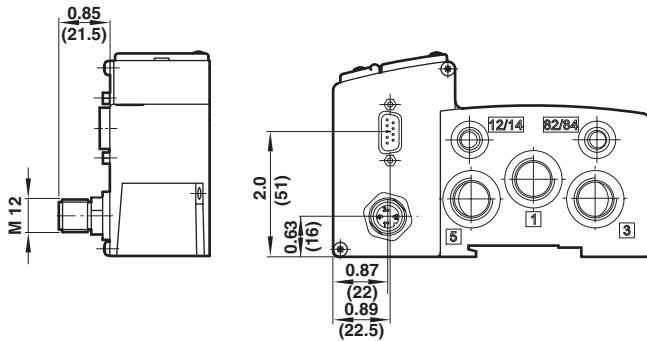
## Fieldbus options: Overview

Fieldbus protocol	Fieldbus interface/connector	Supply voltage connector (Fieldbus and valves)	No. of stations	Max no. coils
Profibus DP	1 x D-Sub 9-pin	M12 4-pin	04/05/06/07/08/09/10/11/12/13/14/15/16	32
	2 x M12 5-pin	M12 4-pin	04/05/06/07/08/09/10/11/12/13/14/15/16	32
	2 x M12 5-pin	7/8 5-pin	04/05/06/07/08/09/10/11/12/13/14/15/16	32
Interbus-S	2 x D-Sub 9-pin	M12 4-pin	04/05/06/07/08/09/10/11/12/13/14/15/16	32
AS-Interface - Single slave	1 x M12 4-pin	M12 4-pin	02/03/04	4
AS-Interface - Double slave	1 x M12 4-pin	M12 4-pin	04/05/06/07/08	8
DeviceNet	1 x M12 5-pin	M12 4-pin	04/05/06/07/08/09/10/11/12/13/14/15/16	32
CANopen	1 x M12 5-pin	M12 4-pin	04/05/06/07/08/09/10/11/12/13/14/15/16	32
AB RIO	2 x M12 5-pin	M12 4-pin	04/05/06/07/08/09/10/11/12/13/14/15/16	32

For parts and assembly instructions of Fieldbus components, consult our technical service.

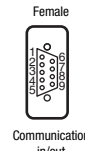
## Fieldbus protocol: Profibus DP

Connector: 1 x D-Sub 9-pin / M12 4-pin



### Bus connector: D-Sub 9-pin

Pin no.	Function
1	Shield
2	N/C
3	B-line (red) RxD / TxD-P
4	N/C
5	DGND (OVI) isolated
6	VP (5VI) isolated
7	N/C
8	A-line (green) RxD / TxD-N
9	N/C

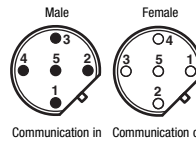
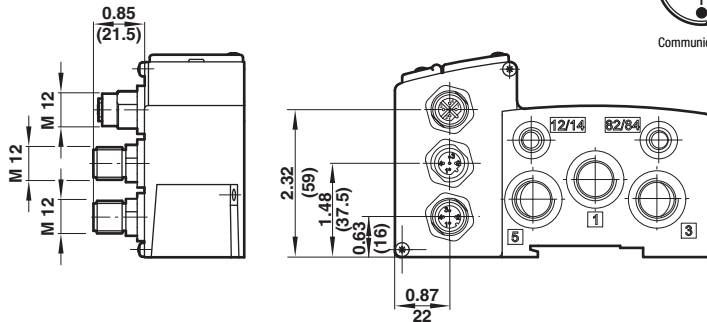


### Power connector: M12 4-pin

Pin no.	Function	Tolerance	Max. current
1	24 VB logic circuit supply	+/-25%	300 mA
2	24 VA valves	+/-10%	1)
3	0 volts	-	2)
4	Earth	-	-



Connector: 2 x M12 5-pin / M12 4-pin



### Bus connector: M12 5-pin (B-coded)

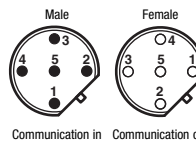
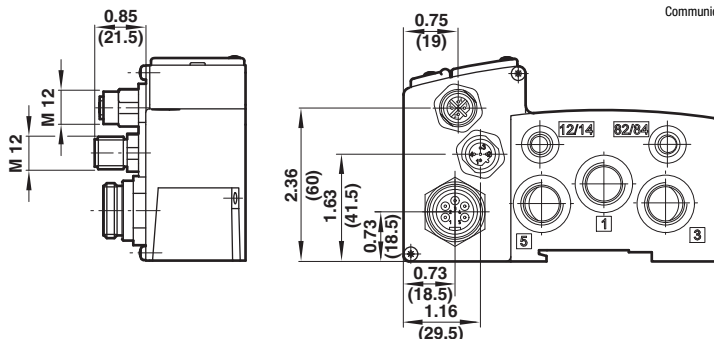
Pin no.	Function
1	5VI opto isolated
2	A-line (green)
3	OVI isolated
4	B-line (red)
5	Shield
Threaded joint	Shield

### Power connector: M12 4-pin

Pin no.	Function	Tolerance	Max current
1	24 VB logic circuit supply	+/-25%	300 mA
2	24 VA valves	1) +/-10%	-
3	0 volts	2) -	-
4	Earth	-	-



Connector: 2 x M12 5-pin / 7/8 5-pin

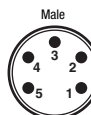


### Bus connector: M12 5-pin (B-coded)

Pin no.	Function
1	5VI isolated
2	A-line (green)
3	OVI isolated
4	B-line (red)
5	Shield
Threaded joint	Shield

### Power connector: 7/8 5-pin

Pin no.	Function	Tolerance	Max. current
1	-	-	-
2	0 volts	-	2)
3	Earth	-	-
4	24 VA valves	+/-10%	1)
5	24 VB logic circuit supply	+/-25%	300 mA



1)  $I_{max} = 10 \text{ mA} + n \cdot 60 \text{ mA}$   
 $n = \text{number of energized solenoids}$   
 2)  $I_{max} = I_{VA} + I_{VB}$

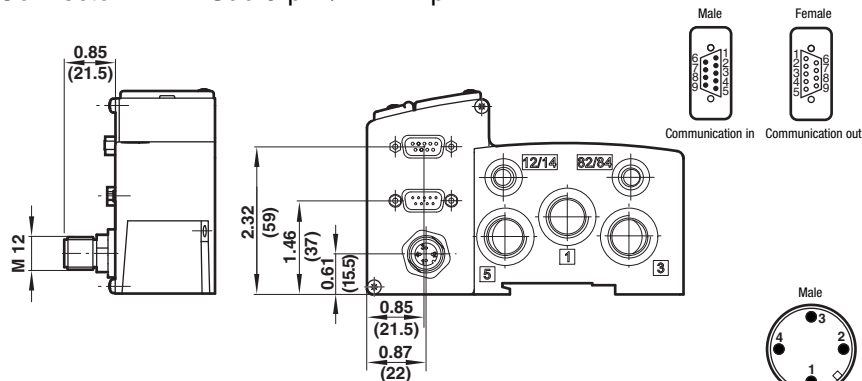
# Valve Manifolds VS26 Series

Plug-in Mini ISO Valves

2x2/2, 2x3/2, 5/2 and 5/3 valves, ISO 15407-2, Size 26 mm

## Fieldbus protocol: Interbus-S

Connector: 2 x D-Sub 9-pin / M12 4-pin



### Bus connector: D-Sub 9-pin

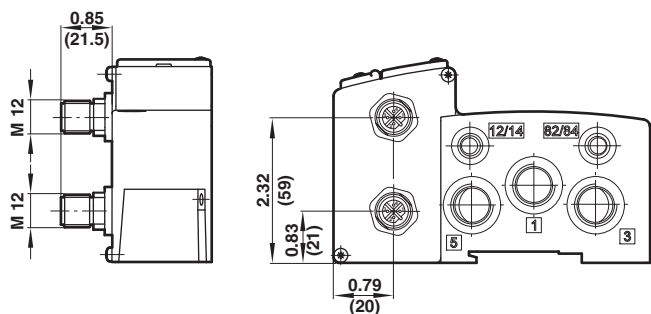
Pin no.	Function Male	Function Female
1	DO	DO
2	DI	DI
3	OVI	OVI
4	-	-
5	-	+5VI
6	/DO	/DO
7	/DI	/DI
8	-	-
9	-	RBST

### Power connector: M12 4-pin

Pin no.	Function	Tolerance	Max. current
1	24 VB logic circuit supply	+/-25%	300 mA
2	24 VA valves	+/-10%	1)
3	0 volts	-	2)
4	Earth	-	-

## Fieldbus protocol: AS-Interface

Connector: 1 x M12 / M12 4-pin



### Bus connector: M12 4-pin

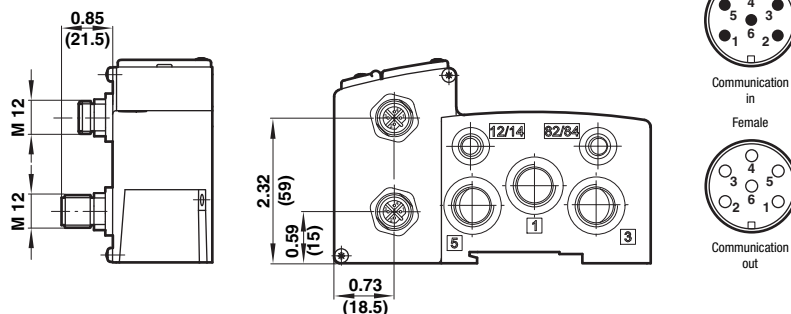
Pin no.	Function	Max. current
1	AS-I	3)
2	-	-
3	AS-I	-
4	-	-

### Power connector: M12 4-pin

Pin no.	Function	Tolerance	Max. current
1	+24 V DC	+/-10%	4)
2	-	-	-
3	0 volts	-	-
4	-	-	-

## Fieldbus protocol: FD67 bus

Connector: 2 x M12 6-pin (power connector integrated in bus connectors)



### Bus connector: M12 6-pin

Pin no.	Function	Tolerance	Max. current
1	24 V actuator supply	±10%	5)
2	24 V sensor supply/internal supply	±25%	30 mA
3	Ground	-	-
4	Internal system connection	-	-
5	Internal system connection	-	-
6	Ground	-	-

- 1)  $I_{max} = 10 \text{ mA} + n \cdot 60 \text{ mA}$   
n = number of energized solenoids
- 2)  $I_{max} = I_{VA} + I_{VB}$
- 3) Single slave: 40 mA  
Double slave: 75 mA
- 4) Single slave:  
 $I_{max} = 20 \text{ mA} + n \cdot 60 \text{ mA}$   
Double slave:  
 $I_{max} = 35 \text{ mA} + n \cdot 60 \text{ mA}$   
n = number of energized solenoids
- 5)  $I_{max} = n \cdot 60 \text{ mA}$   
n = number of energized solenoids

# Valve Manifolds VS26 Series

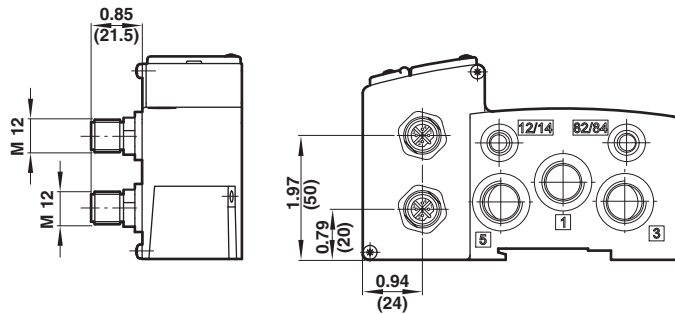
Plug-in Mini ISO Valves

2x2/2, 2x3/2, 5/2 and 5/3 valves, ISO 15407-2,

Size 26 mm

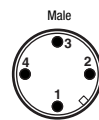
## Fieldbus protocol: DeviceNet

Connector: 1 x M12 5-pin / M12 4-pin



### Bus connector: M12 5-pin (A-coded)

Pin no.	Function
1	Drain
2	V+ <sup>3)</sup>
3	V- <sup>3)</sup>
4	CAN_H
5	CAN_L

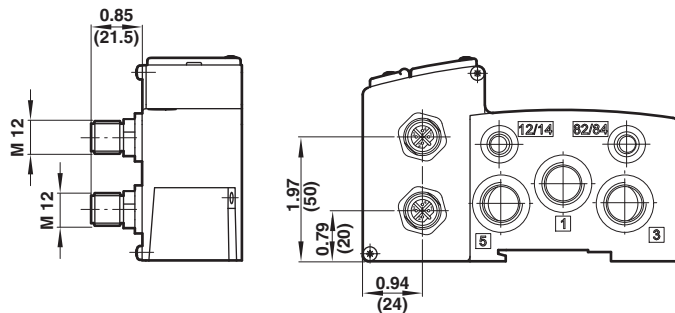


### Power connector: M12 4-pin

Pin no.	Function	Tolerance	Max. current
1	24 VB logic circuit supply	+/-25%	300 mA
2	24 VA valves	+/-10%	1)
3	0 volts	-	2)
4	Earth	-	-

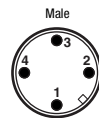
## Fieldbus protocol: CANopen

Connector: 1 x M12 5-pin / M12 4-pin



### Bus connector: M12 5-pin (A-coded)

Pin no.	Function
1	Drain
2	V+ <sup>3)</sup>
3	V- <sup>3)</sup>
4	CAN_H
5	CAN_L



### Power connector: M12 4-pin

Pin no.	Function	Tolerance	Max. current
1	24 VB logic circuit supply	+/-25%	300 mA
2	24 VA valves	+/-10%	1)
3	0 volts	-	2)
4	Earth	-	-

1)  $I_{max} = 10 \text{ mA} + n \cdot 60 \text{ mA}$

$n$  = number of energized solenoids

2)  $I_{max} = I_{VA} + I_{VB}$

3) Must be galvanic isolated to 24 VA valves.

## Fieldbus accessories

Symbol	Model	Description	Connection	Cable length	Protection class
<b>Fieldbus power connector</b>					
	V11588-E01	Profibus DP (4-pin, female) Interbus-S (4-pin, female) DeviceNet (4-pin, female) CANopen (4-pin, female)	M12	Wireable	IP65 Required for ATEX
	FD6760R5S75010	Profibus DP (5-pin, female)	7/8	Wireable	IP67 when plugged and screwed down DIN VDE 0470 Required for ATEX
<b>Communication cable and connector</b>					
	FD6710H5S75S10	DeviceNet (5-pin, female) CANopen (5-pin, female)	M12	Wireable	IP67 when plugged and screwed down DIN VDE 0470 Required for ATEX
	FD6710D5S75S10	DeviceNet (5-pin, male) CANopen (5-pin, female)	M12	Wireable	IP67 when plugged and screwed down DIN VDE 0470 Required for ATEX
	FD6710G5S75S10	Profibus DP, reverse keyway (5-pin, female)	M12	Wireable	IP67 when plugged and screwed down DIN VDE 0470 Required for ATEX
	V11591-E01	Profibus DP, reverse keyway (5-pin, male)	M12	Wireable	IP67 when plugged and screwed down DIN VDE 0470 Required for ATEX
	V11654-E01	Profibus DP connector (9-pin, male) with terminating resistor	D-Sub	Wireable	IP40
	FD67L FD67K FD67N	DeviceNet CANopen Profibus System	M12	—	IP67 when plugged and screwed down DIN VDE 0470 Required for ATEX
	VE1ASCN1-M1200	AS-Interface power or communications (4-pin, female)	M12	Wireable	IP65 Required for ATEX
	VE2FBC9P-9S010 VE2FBC9P-9S030 VE2FBC9P-9S050	Interbus-S (9-pin)	D-Sub	1m 3m 5m	IP65 Required for ATEX
	VE2FBC9P-00000	Interbus-S (9-pin, male)	D-Sub	Wireable	IP65 Required for ATEX
	VE2FBC9S-00000	Interbus-S (9-pin, female)	D-Sub	Wireable	IP65 Required for ATEX
	V11340-E03	Interbus-S terminating connector (9-pin, male)	D-Sub	—	IP65 Required for ATEX

# Valve Manifolds VS26 Series

Plug-in Mini ISO Valves

2x2/2, 2x3/2, 5/2 and 5/3 valves, ISO 15407-2,

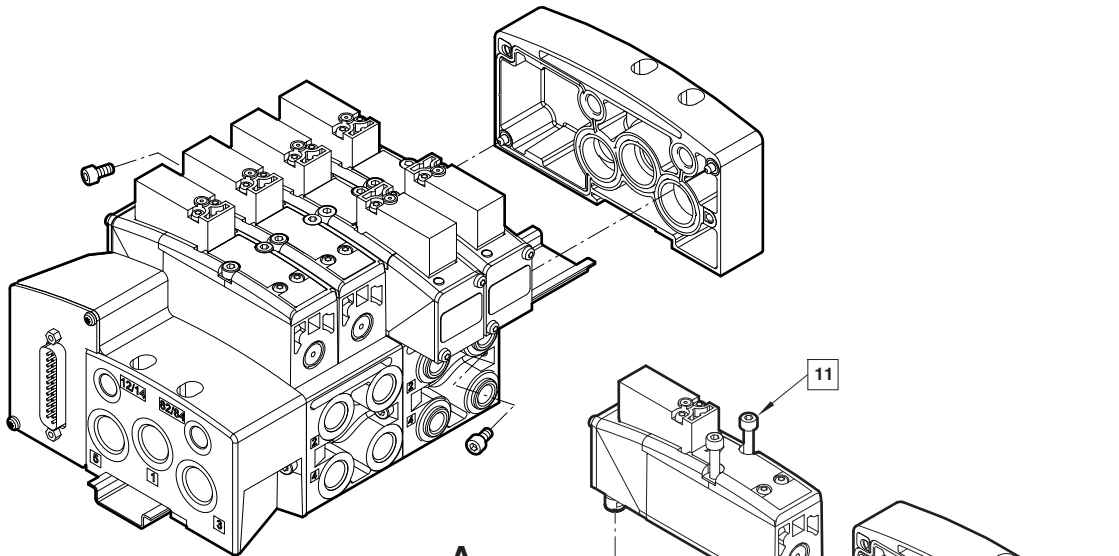
Size 26 mm

## A – Single add-on stations

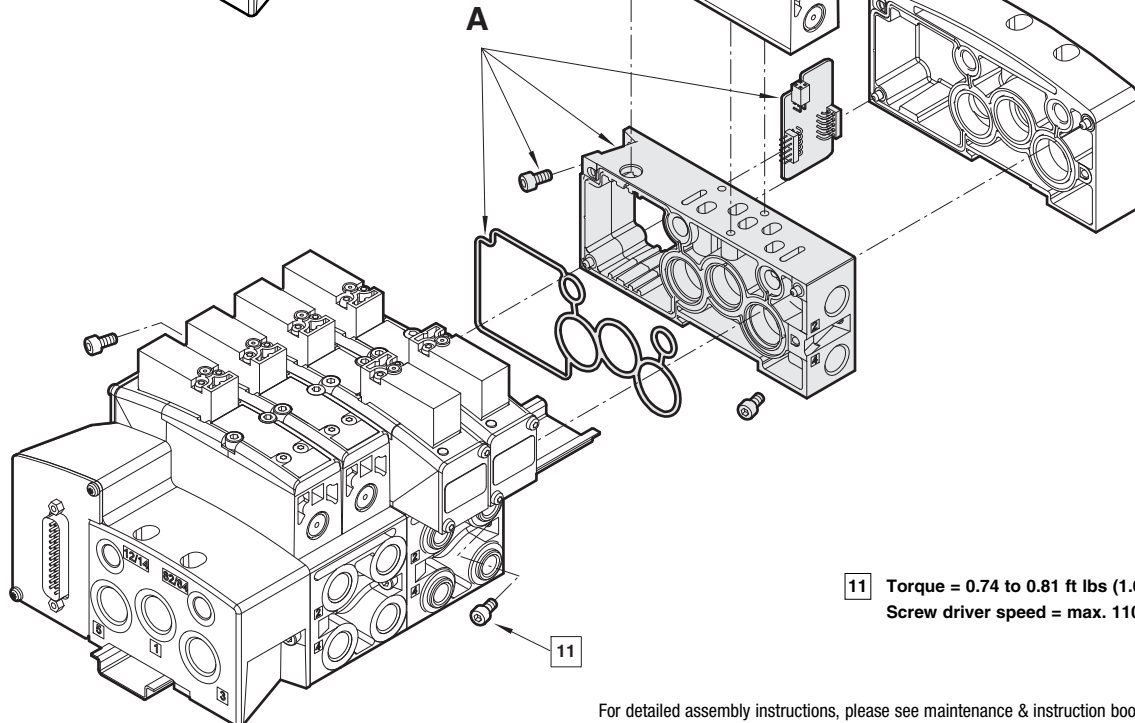
including PCB, sub-base, gasket and screws

Model	Description	Ports 2 & 4
VS2672504-BGF0	Add-on station for D-Sub connectors and Fieldbus	G1/4
VS2672504-RGF0	Add-on station for D-Sub connectors and Fieldbus	NPTF 1/4
VS2672504-YGF0	Add-on station for D-Sub connectors and Fieldbus	PIF 10 mm
VS2672504-8GF0	Add-on station for D-Sub connectors and Fieldbus	PIF 8 mm
VS2672504-2GF0	Add-on station for D-Sub connectors and Fieldbus	PIF 3/8
VS2672505-BGF0	Add-on station for Conduit entry and M23 connector	G1/4
VS2672505-RGF0	Add-on station for Conduit entry and M23 connector	NPTF 1/4
VS2672505-YGF0	Add-on station for Conduit entry and M23 connector	PIF 10 mm
VS2672505-8GF0	Add-on station for Conduit entry and M23 connector	PIF 8 mm
VS2672505-2GF0	Add-on station for Conduit entry and M23 connector	PIF 3/8

### Step 1



### Step 2



**11** Torque = 0.74 to 0.81 ft lbs (1.0 - 1.1 Nm)  
Screw driver speed = max. 1100 r.p.m.

For detailed assembly instructions, please see maintenance & instruction booklet!

# Valve Manifolds VS26 Series

**Sub-bases and end plates (without PCB's)**  
includes screws and gaskets

## A – End plate kit

Model	Description	Ports 1, 3 & 5	Ports 12/14 & 82/84
VS2672500-CGCO	End plate kit for Multipole	G3/8	G1/8
VS2672500-SGCO	End plate kit for Multipole	NPTF3/8	NPTF 1/8
VS2672501-CGCO	End plate kit for Fieldbus	G3/8	G1/8
VS2672501-SGCO	End plate kit for Fieldbus	NPTF3/8	NPTF 1/8

## C – Single station modular sub-base

Model	Ports 2 & 4
VS2672503-BGFO	G1/4
VS2672503-RGFO	NPTF 1/4
VS2672503-YGFO	PIF 10 mm
VS2672503-8GFO	PIF 8 mm
VS2672503-2GFO	PIF 3/8

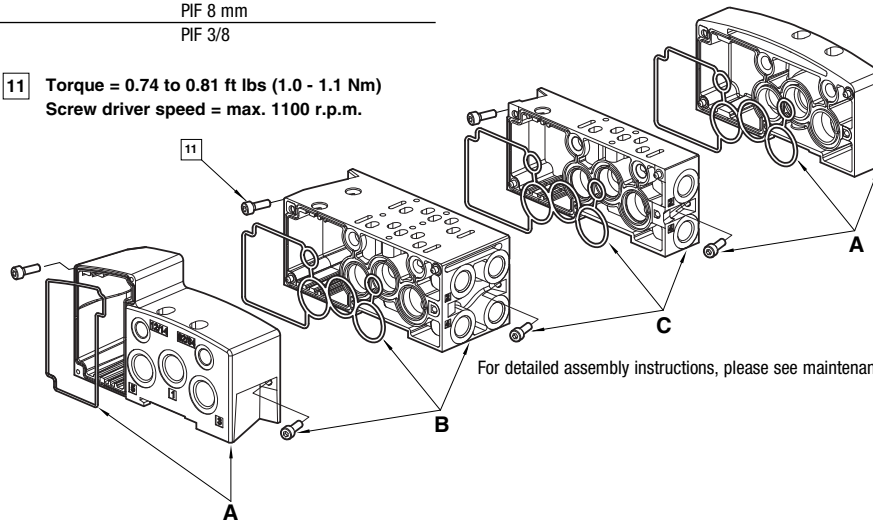
## B – Double station modular sub-base

Model	Ports 2 & 4
VS2672502-BGFO	G1/4
VS2672502-RGFO	NPTF 1/4
VS2672502-YGFO	PIF 10 mm
VS2672502-8GFO	PIF 8 mm
VS2672502-2GFO	PIF 3/8

## Spare parts

Model	Description	Quantity per slice
77.31106	Hexagon socket screw M4x12	2
94.00815	Gasket	1
94.00816	Connector-kit gasket on end plate	1

11 Torque = 0.74 to 0.81 ft lbs (1.0 - 1.1 Nm)  
Screw driver speed = max. 1100 r.p.m.



For detailed assembly instructions, please see maintenance & instruction booklet!

## Multipole components

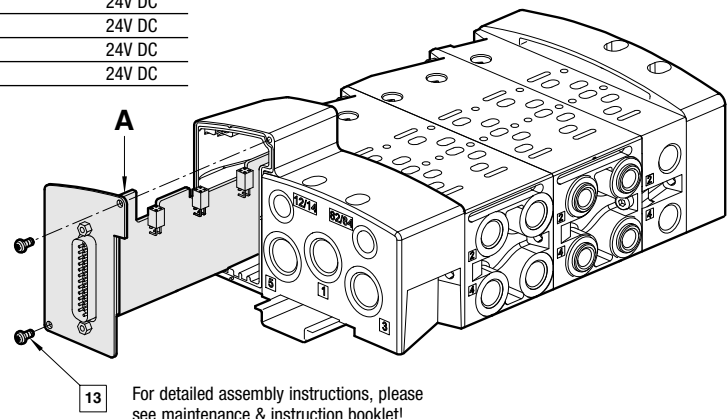
### A – Output boards with D-Sub connectors

Model	Connector type	Description	Expandable to max. x no. of stations 1)	Voltage
VS2672717-KG00	D-Sub 9-pin	Multipole PCB 2 stations	4	24V DC
VS2672718-KG00	D-Sub 15-pin	Multipole PCB 2 stations	6	24V DC
VS2672705-KG00	D-Sub 15-pin	Multipole PCB 4 stations	7	24V DC
VS2672719-KG00	D-Sub 25-pin	Multipole PCB 2 stations	6	24V DC
VS2672700-KG00	D-Sub 25-pin	Multipole PCB 4 stations	8	24V DC
VS2672701-KG00	D-Sub 25-pin	Multipole PCB 6 stations	10	24V DC
VS2672702-KG00	D-Sub 25-pin	Multipole PCB 8 stations	12	24V DC
VS2672703-KG00	D-Sub 44-pin	Multipole PCB 8 stations	12	24V DC
VS2672706-KG00	D-Sub 44-pin	Multipole PCB 10 stations	14	24V DC
VS2672704-KG00	D-Sub 44-pin	Multipole PCB 12 stations	16	24V DC

1) By using below expansion output boards.

### Expansion output boards for D-Sub connectors

Model	Description	Voltage
VS2672755-KG00	Multipole PCB 1 station	24V DC
VS2672713-KG00	Multipole PCB 2 stations	24V DC



13 Torque = 0.59 to 0.66 (0.8 - 0.9 Nm)  
Screw driver speed = max. 1100 r.p.m.

13 For detailed assembly instructions, please see maintenance & instruction booklet!

# Valve Manifolds VS26 Series

Plug-in Mini ISO Valves

2x2/2, 2x3/2, 5/2 and 5/3 valves, ISO 15407-2,

Size 26 mm

## Multipole components

### A - Connector-kit for conduit entry

Model	Description	Voltage
VS2672742-KG00	E-Connector-kit NPTF1 Conduit entry	115V AC, 24V DC

### C - Connector-kit for M23 connector

Model	Description	Voltage
VS2672743-KG00	E-Connector-kit M23 connector 19-pin	115V AC, 24V DC

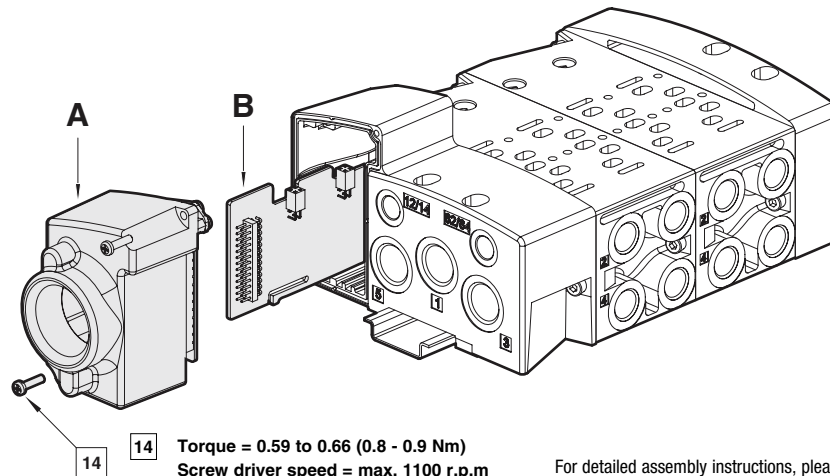
### B - Output boards for conduit entry and M23 connector

Model	Description	Expandable to max. x no. of stations <sup>1)</sup>	Voltage
VS2672708-KG00	Multipole PCB 2 stations	6	115V AC, 24V DC
VS2672709-KG00	Multipole PCB 4 stations	8	115V AC, 24V DC
VS2672710-KG00	Multipole PCB 6 stations	10	115V AC, 24V DC
VS2672711-KG00	Multipole PCB 8 stations	12	115V AC, 24V DC

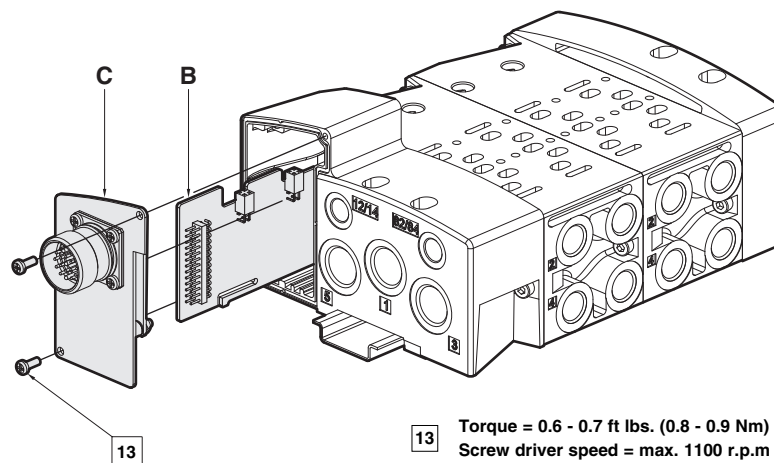
<sup>1)</sup> By using below expansion output boards.

### Expansion output boards for conduit entry

Model	Description	Voltage
VS2672756-KG00	Multipole PCB 1 station	115V AC, 24V DC
VS2672715-KG00	Multipole PCB 2 stations	115V AC, 24V DC



For detailed assembly instructions, please see maintenance & instruction booklet!



For detailed assembly instructions, please see maintenance & instruction booklet!