

Quick exhaust module
Pneumatically operated
Connection: G1/4

Integrated exhaust air feedback

**Optional flow regulator for use as
bi-directional flow regulator module**

**For outdoor use and extreme environmental
conditions**



Technical data

Medium:

Compressed air, filtered *1) lubricated
or non-lubricated, instrument air, nitrogen
or other neutral, dry fluids

Orifice:

8 mm

Port size:

G 1/4, NAMUR interface

Operating pressure:

0,5 ... 10 bar

Operating temperature:

-25* ... +60°C

* Consult our Technical Service for use below +2°C

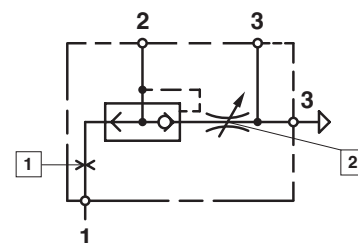
Materials:

Body: aluminium with hardcoat exterior coating

Seals: NBR (Perbunan)

Ordering information

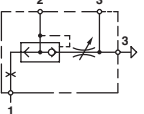
See page 2



- | | |
|---|--|
| 1 | Ø 2 mm nozzle (inlet throttling) |
| 2 | Flow regulator assembly (inlet throttling) |

*1) Oil recommendation: Shell Hydrol DO 32, ESSO Febis K 32 (as of 07/92) or comparable oils
with DVI values < 8 (DIN 53521) and ISO viscosity class 32 to 46 (DIN 51519)

General informations

Symbol	Model	Orifice (mm)	Connection		Operating pressure (bar)		Weight (kg)
			Air supply/venting	Exhaust air	min.	max.	
	4050218 *1)	8	G1/4 NAMUR	G3/8	0,5	10	0,32

*1) IDVGW-Certification for quick exhaust model 4050218 mounted with valves 2401190 or 2401191.

Accessories

Model	Description
0542169	Ø 2 mm nozzle for inlet throttling
0542250	Flow regulator assembly for outlet throttling

Warning

These products are intended for use in industrial compressed air systems only. Do not use these products where pressures and temperatures can exceed those listed under '**Technical Data**'.

Before using these products with fluids other than those specified, for non-industrial applications, life-support systems, or other applications not within published specifications, consult NORGREN. Through misuse, age, or malfunction, components used in fluid power systems can fail in various modes.

The system designer is warned to consider the failure modes of all component parts used in fluid power systems and to provide adequate safeguards to prevent personal injury or damage to equipment in the event of such failure.

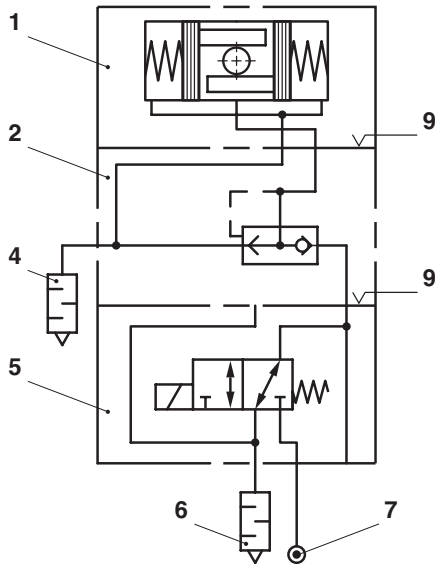
System designers must provide a warning to end users in the system instructional manual if protection against a failure mode cannot be adequately provided.

System designers and end users are cautioned to review specific warnings found in instruction sheets packed and shipped with these products.

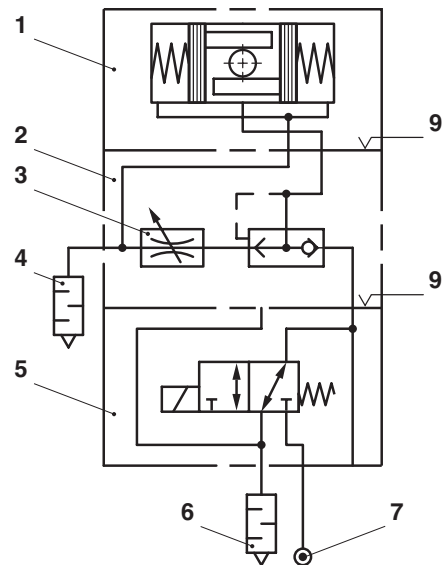
Applications

As quick exhaust module

Control of a pneumatic swivel drive by means of a NAMUR 3/2 directional control solenoid valve, quick exhaust module as intermediate unit. The exhaust air is fed back into the spring chamber via the NAMUR quick exhaust module.

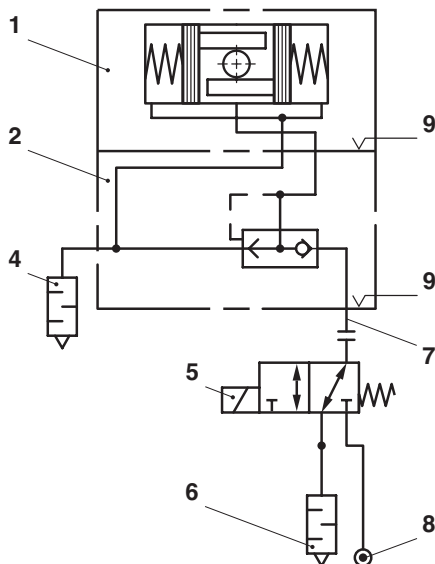


Control of a pneumatic swivel drive by means of a NAMUR quick exhaust module, externally mounted solenoid control valve. The exhaust air is fed back into the spring chamber via the NAMUR quick exhaust module.

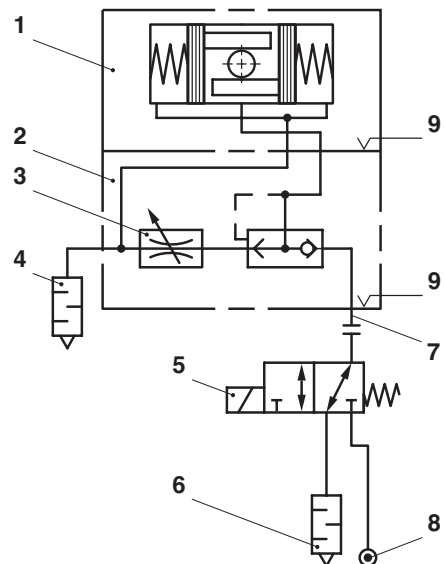


As bi-directional flow regulator module

Control of a pneumatic swivel drive by means of a NAMUR 3/2 directional control solenoid valve, quick exhaust module as intermediate unit. The exhaust air is fed back into the spring chamber via the NAMUR quick exhaust module. Additional option of exhaust air flow regulation by means of add-on flow regulator insert.



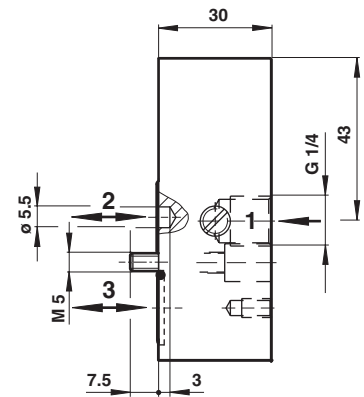
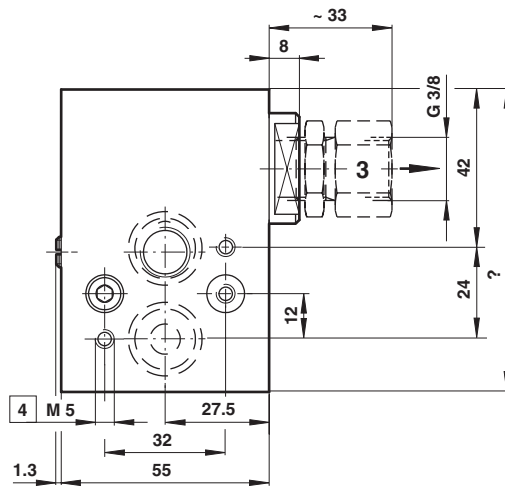
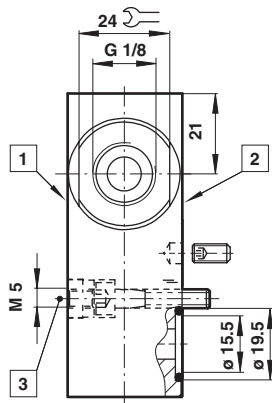
Control of a pneumatic swivel drive by means of a NAMUR quick exhaust module, externally mounted solenoid control valve. The exhaust air is fed back into the spring chamber via the NAMUR quick exhaust module. Additional option of exhaust air flow regulation by means of add-on flow regulator insert.



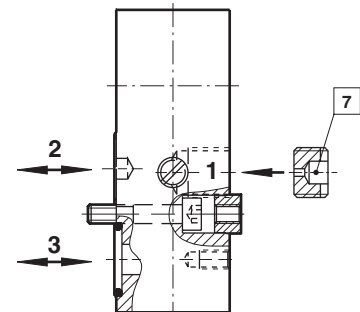
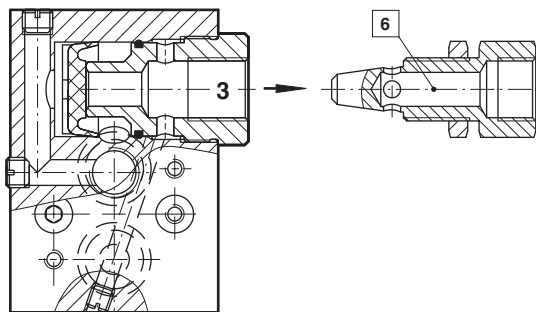
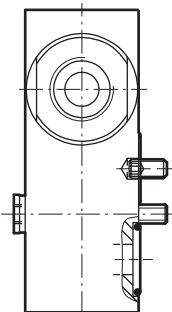
Description	Model
1 Swivel drive	
2 NAMUR quick exhaust module	4050218
3 Flow regulator assy.	0542250
4 Silencer G 3/8	0014700
5 NAMUR 3/2 directional control valve, electromagnetically controlled	2401190/2401191
6 Silencer G 1/4	0014600
7 Compressed air supply	
9 NAMUR interface	

Description	Model
1 Swivel drive	
2 NAMUR quick exhaust module	4050218
3 Flow regulator assy.	0542250
4 Silencer G 3/8	0014700
5 2/2 directional control valve, electromagnetically controlled	2401149
6 Silencer G 1/4	0014600
7 External supply line	
8 Compressed air supply	
9 NAMUR interface	

Dimensions



- 1 Flanged surface NAMUR valve
- 2 Flanged surface NAMUR actuator
- 3 Push-in threaded piece after plate mounting (to secure correct position)
- 4 8 mm deep



- 6 Flow regulator assembly
- 7 Ø 2 mm nozzle