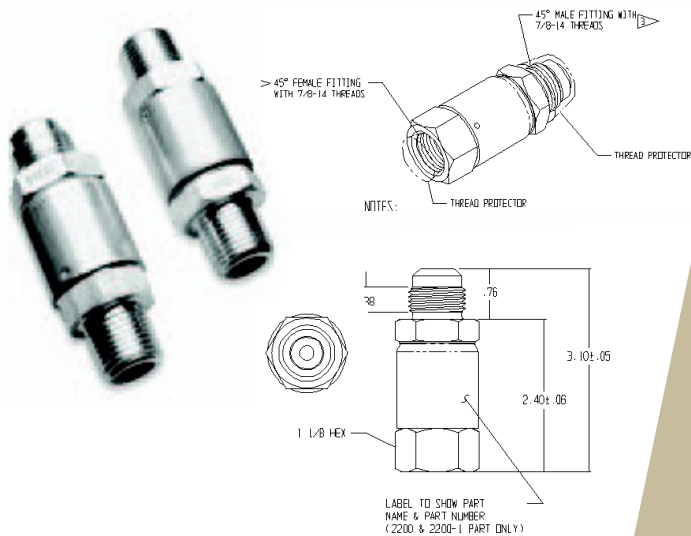


Lineguard® Breakaway Valves



Lineguard® breakaway valves are first fit and retrofit devices for vehicles with crossover fuel lines. The valves separate in the event of an impact, and seal off both the fuel tanks and crossover lines. The basic function of the valve is to provide a weak link or "fuse" in the crossover line that prevents failure of the other components when the line encounters an obstruction.

As the valve separates, both halves shut off, preventing a loss of fuel while leaving the rest of the system intact. The valve is available in different mounting configurations for various applications. Patented

Performance

| | |
|----------------------|---|
| Flow | The valve shall flow less than 4.0 GPM of diesel fuel #2 at 70° F (21.1° C) in either direction, at a different pressure of 1.0 PSI. |
| External Leakage | Prior to actuation, the valve shall not leak fuel at any pressure from 0 to 5 PSI. |
| Actuation | The valve shall actuate by separating when subjected to a tension force of 450 to 700 pounds, or a bending moment of 450 to 750 inch pounds applied as a side load applied 5 inches from the roll joint. |
| Leakage | Once actuated, the total combined leakage of the two valves sections after separation shall not amount to more than 1.0 oz by weight per minute of diesel, at any pressure from 0 to 5 PSI. |
| Temperature | The valve shall meet all requirements as described per specification sheet at any temperature between -40° F (-40° C) and 185° F (85° C). |
| High Speed Impact | Mount two valves via elbows to a vehicle-mounted container with a 30" minimum standpipe. Connect with a crossover line drooped to catch a fixed road obstruction. Fill valves, line, and standpipe with water to 30 ± 10 inches above the valve. Drive over obstruction at 30 mph, such that line is caught. Valve(s) shall separate and not leak more than 1.0 oz per minute total, following actuation. |
| GTD Part Number 2200 | Male fitting with 7/8"-14 Threads / Female fitting with 7/8"-14 Threads |
| GTD Part Number 2201 | Male fitting with 7/8"-14 Threads / Male fitting 1/2" NPT Threads |